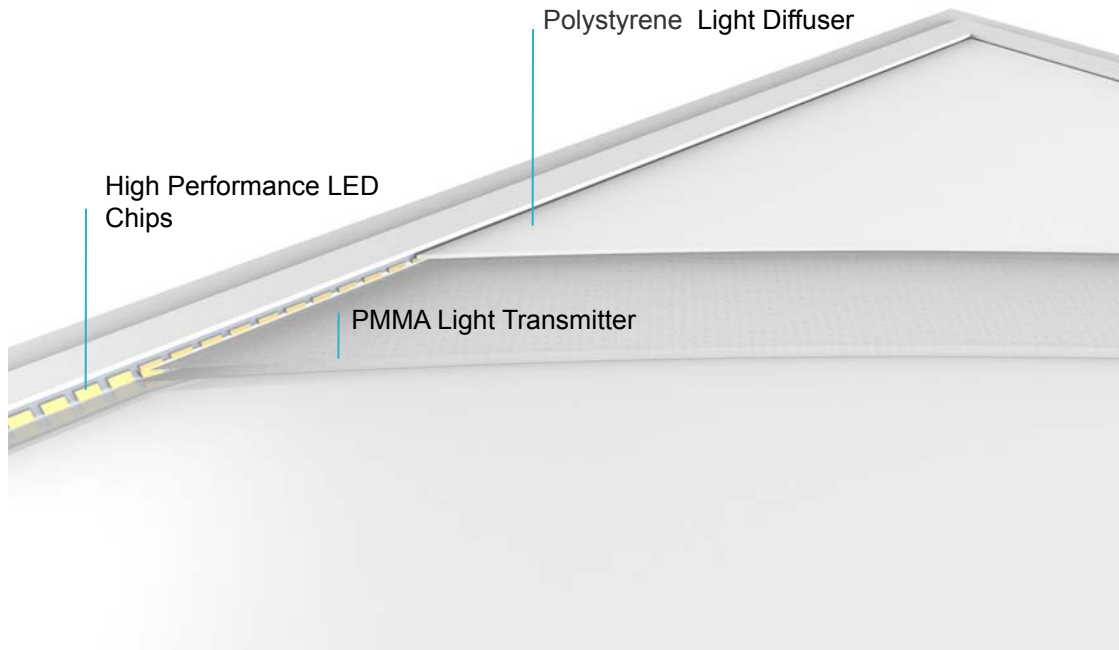




ABOVE ALL FLAT PANEL IN DETAIL

LED flat panel is designed for standard T-bar and narrow grid drop ceiling to replace fluorescent fixtures in offices, supermarkets, schools and other indoor applications. The edge-to-edge design enables even light distribution, simple but beautiful and easy for installation. Energy saving, long life span and low maintenance.



- **Original *Samsung* high efficiency LED**
- ***Mitsubishi PMMA* light transmitter, even lighting distribution**
- **Heavier and thicker backboard to provide stronger structure**
- **Completed EBU Solution**
- **Type IC rated for contact with insulation after installation**

PERFORMANCE SUMMARY

Efficacy: Up to 110 LPW

Delivered Light Output: Up to 5830 lumens

Dimensions: 2' x 2', 2' x 4', and 1' x 4'

Input Power: 38 watts to 53 watts

CRI: 80+

CCT: 3000K, 3500K, 4000K, 5000K

Input Voltage: 120-277 VAC, 50/60Hz

Lifetime: 72,000 hours L70@25°C

Controls: 1-10V dimming

Mounting: Recessed or Surface Mounting

Operating Temperature: -20°C to 40°C

CONSTRUCTION & MATERIALS

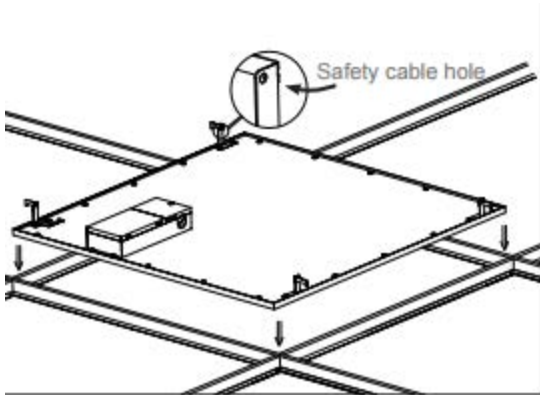
- Solid aluminum frame provides strength and uniformity
- Low profile design – 1.8" H / 23.7" W
- Finished with soft matt white paint
- Integral t-bar clips allow for easy installation
- Frosted Polystyrene lens for non-pixelated appearance
- Heavier and thicker backboard enables stronger support

CERTIFICATES AND COMPLIANCE

- DLC
- ETL
- FCC
- RoHS Compliance
- Type IC Rated, suitable for insulated ceilings

INSTALLATION

Integral T-Bar clips
No additional assembly required



Recessed for T-bar ceiling

Flange Kit for Sheetrock ceiling

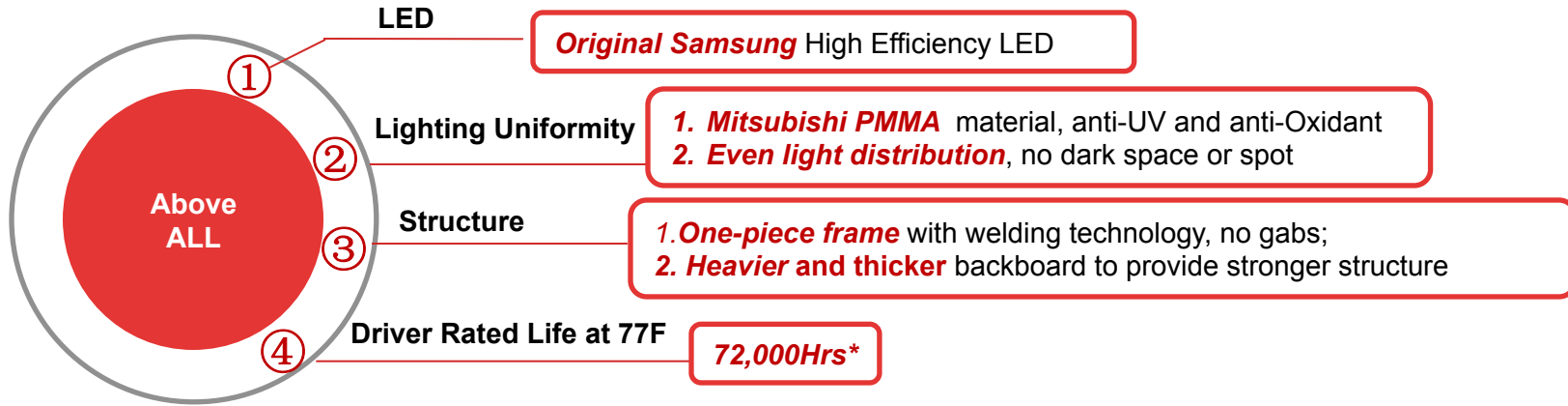


Recessed for Sheetrock ceiling

Surface Mount Kit

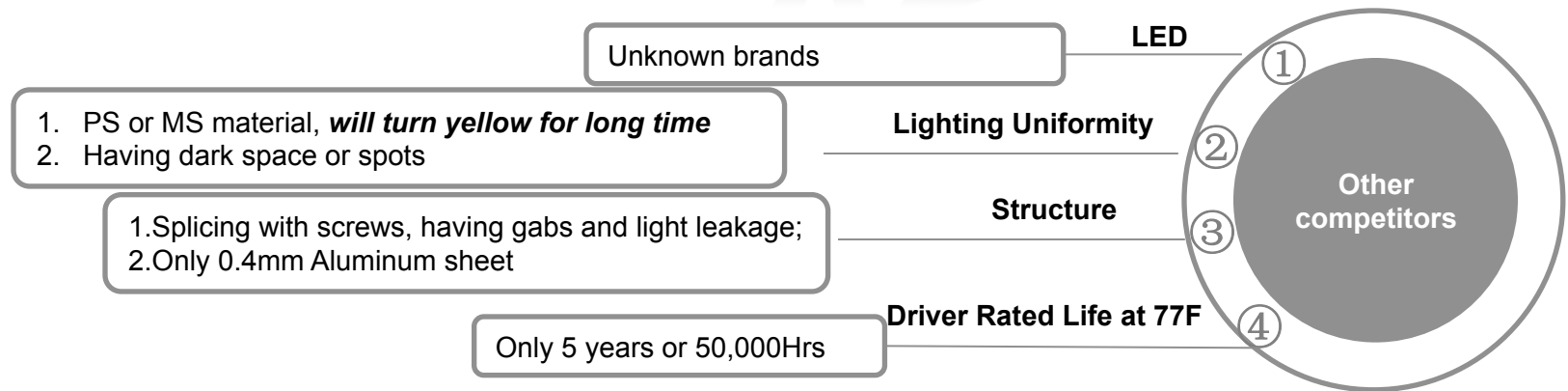


Surface Mounting



*The data was calculated on temperature testing report

VS

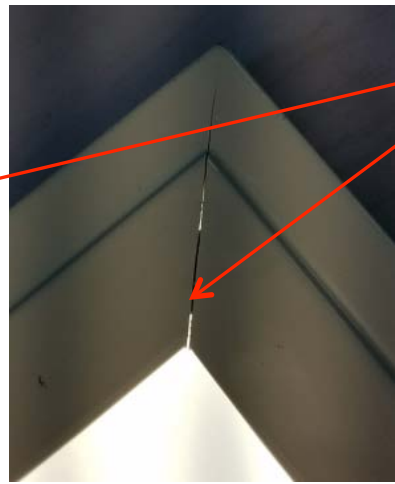


Above All

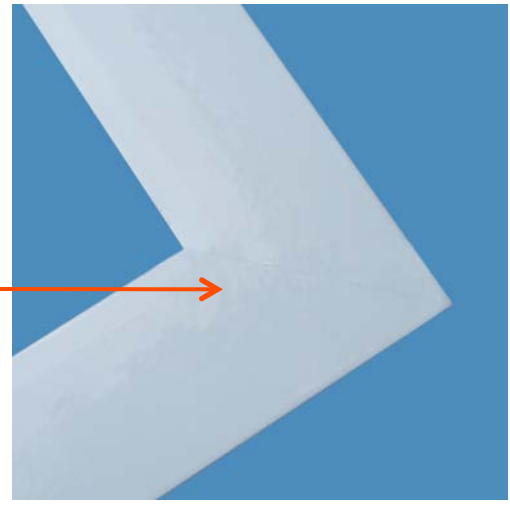


- Thicker Aluminum, White Painted Frame**
- Rust-Proof**
- Fade-Resistant**
- Seamless Connection**

Other Competitors



Gaps and light leakage



Rough Painting

Above All



**Even light distribution
no dark space or spot**

Other Competitors



Dark space Dirty



Above All

Stronger Structure Galvanized Sheet



Other Competitors

**0.4mm Galvanized sheet
Easy bend distortion**



ABOVE ALL

www.AboveAllLighting.com

Thank You For Viewing.

Please contact us if you have any questions.
For personalized or custom training contact.

info@aboveallighting.com