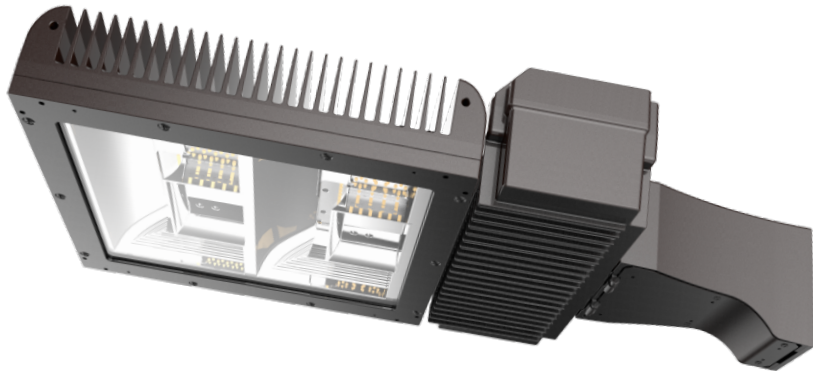


Above All



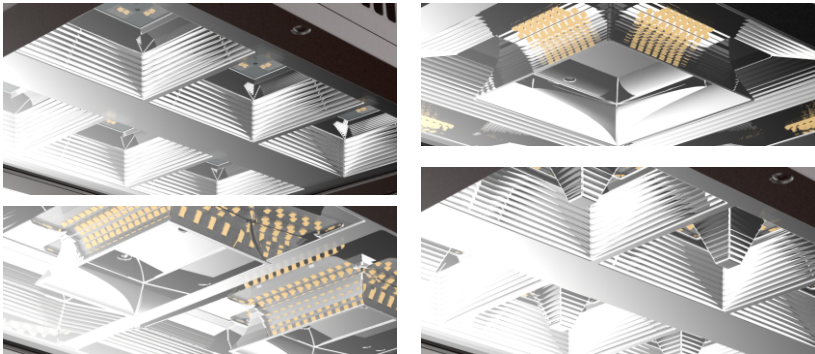
**Natural Science &
Modern Industrial Design**

The Others



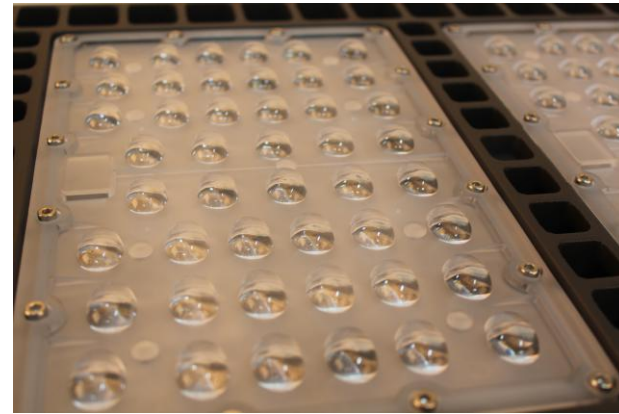
**Ordinary Design
Common in the market**

Above All



- **Special reflector design**
high performance optics
- **Tempered glass lens**
doesn't fade and discolor

The Others



Polycarbonate lens
easy to turn yellow and crack

Above All



Better Heat Management & Longer Life Span

- Heavy Duty Aluminum
- Streamlined Heat Sink Fins
- Main body separates from the driver
- Very large heat dissipation area

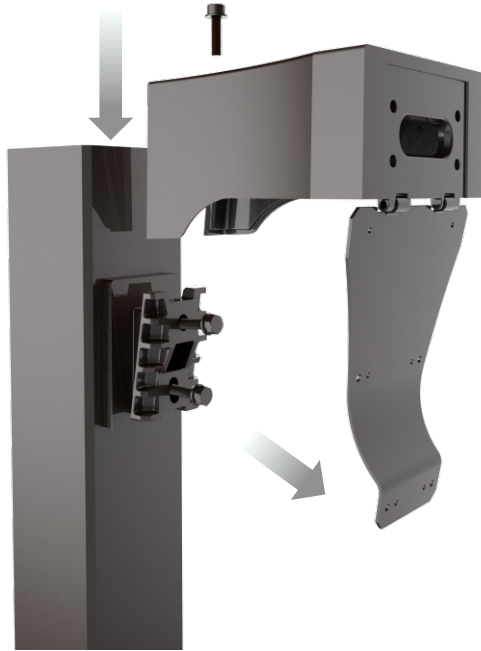
The Others



Bad Heat Management & Shorter Life Span

- Very Light Aluminum
- Main body shares the same heat structure with the driver

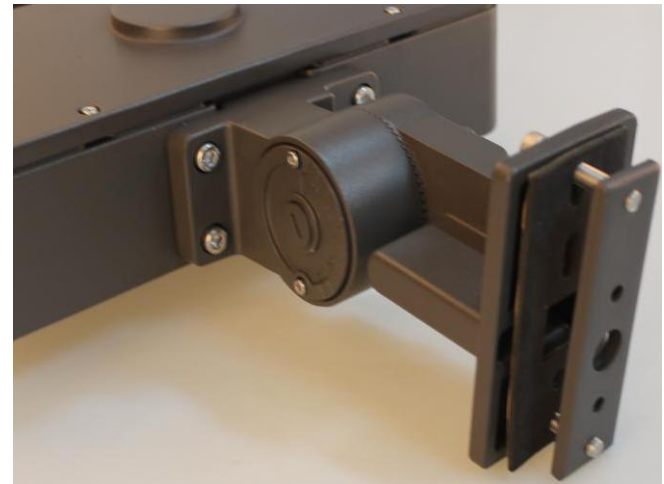
Above All



Swing-down, Hinged Arm Door
convenient for wiring

Exclusive Slider Design
for quick and easy installation

The Others



Inconvenient arm mount design
Much labor cost

Two workers for installation at least
One is to lift the fixture one is to install