

SUITABLE FOR MODEL



IMAGE MAY VARY FROM ACTUAL PRODUCT

SAFETY INSTRUCTION

READ CAREFULLY BEFORE INSTALLING FIXTURE. PLEASE KEEP THIS MANUAL FOR FUTURE USING.

Fixtures must be wired in accordance with the National Electrical Code and all applicable local codes. Proper grounding is required for safety.

THIS PRODUCT MUST BE INSTALLED IN ACCORDANCE WITH THE APPLICATION CODE BY A PERSON FAMILIAR WITH THE CONSTRUCTION AND OPERATION OF THE PRODUCT AND THE HAZARDS INVOLVED.

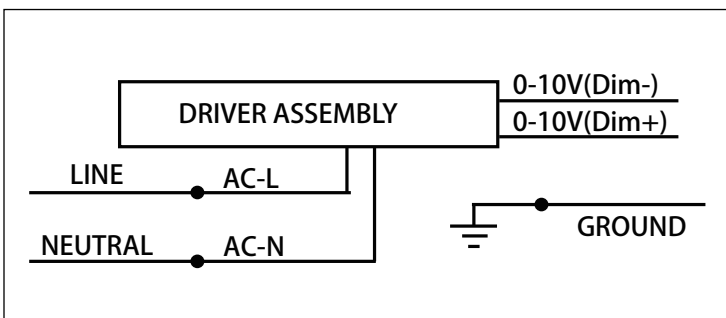
MAKE CERTAIN POWER OFF BEFORE INSTALLING OR MAINTAINING FIXTURE.

CHECK THAT VOLTAGE IS COMPATIBLE WITH FIXTURE DRIVER, USE APPROVED CONNECTORS FOR ALL ELECTRICAL CONNECTIONS.

MAINTENANCE CAUTION

1. Review the diagrams before beginning, and make sure fixture is grounded properly.
2. For lighting controls, using functioning correctly.
3. Turn power off and wait for fixture cooling to operate.
4. Maintenance must be done by professionals.

WIRE CONNECTION



·Make the following Electrical Connections See **Left Figure**

- a. Connect the voltage supply Line to our AC-L terminal
- b. Connect the voltage Neutral supply to our AC-N terminal
- c. Connect the green/yellow ground lead to the supply ground lead
- d. If 0-10V Dimming is used, connect the supply positive dimming lead to our 0-10V(Dim+) terminal
- e. If 0-10V Dimming is used, connect the supply negative dimming lead to our 0-10V(Dim-) terminal

WARNING

WARNING-RISK OF FIRE OR ELECTRIC SHOCK. Installaion requires knowledge of the lighting luminaires electrical systems. If not qualified, do not attempt installation and contact a qualified electrician.

Voltage input: 120-277V 50/60 Hz

Operating temp: -4°F to 104°F

**Consult with dimmer control manufacturer's wiring instructions

INSTALLATION

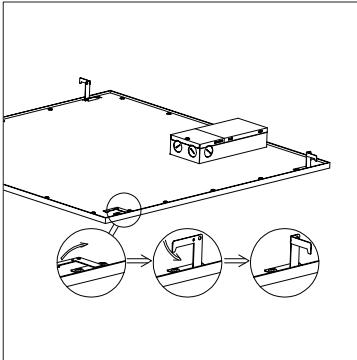
RECESSED MOUNT

1. Please check the fitting bag with components list.
2. Comparing with the specification as follows, judging if the ceiling is meeting the installation requirement for recessed installation.

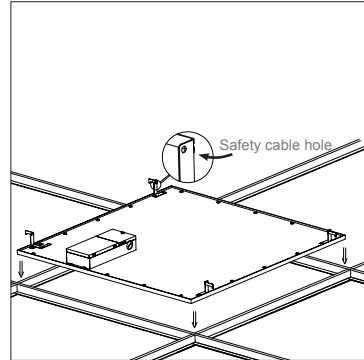
SPEC	Size/mm	External size of Tchannel/mm	Internal size of Tchannel/mm	N. W. / Kg
1x4	301±1(L)*1210±1(W)	280±1(L)*1190±1(W)	303±1(L)*1213±1(W)	5
2x2	603±1(L)*600±1(W)	580±1(L)*580±1(W)	603±1(L)*603±1(W)	5
2x4	603±1(L)*1210±1(W)	580±1(L)*1190±1(W)	603±1(L)*1213±1(W)	9

- ! Please confirm the dimensions of the ceiling channel and the lamp is matching.
! Please confirm load-bearing is enough to support the lamp.

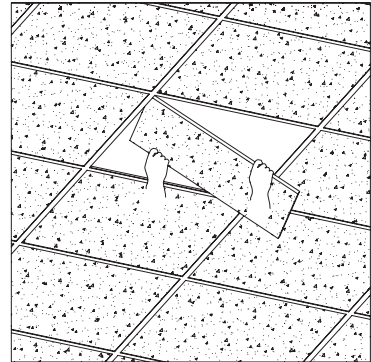
4. Lift up four(four for 2X2,six for 1X4 and 2X4) mounting clips on the sides of the luminaire.
You can do it by hand(Do wear work gloves) or use pliers.



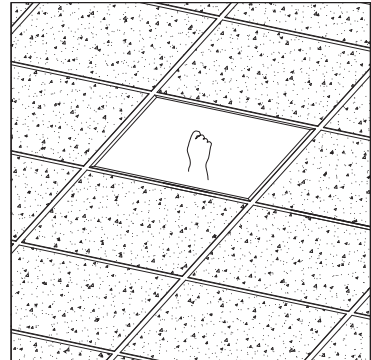
5. Insert luminaire into T-bar ceiling grid. Secure safety cable to connection hole as needed to meet local seismic requirements. Safety cable and method of attachment to the building provided by contractor according to local building codes.



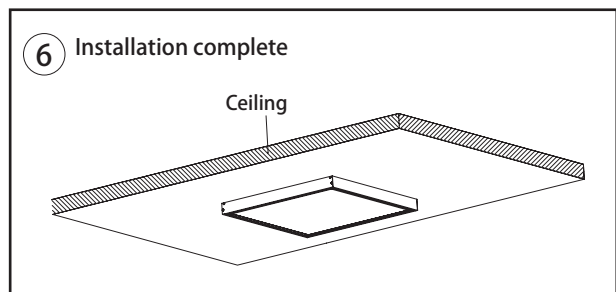
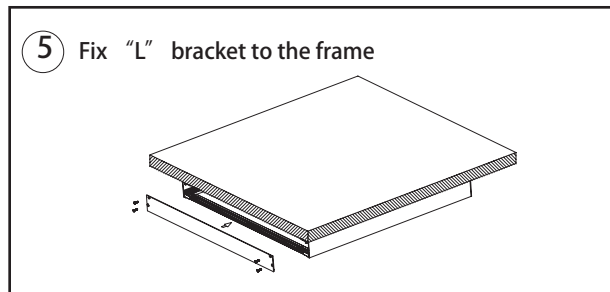
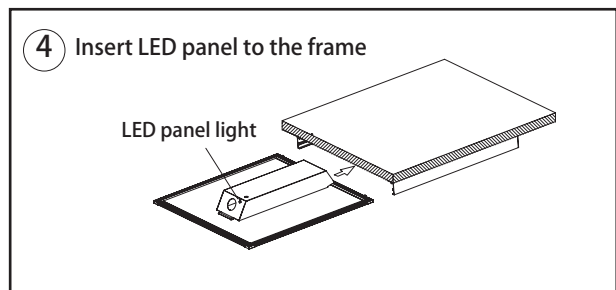
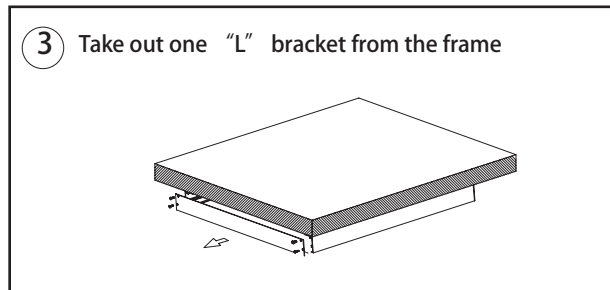
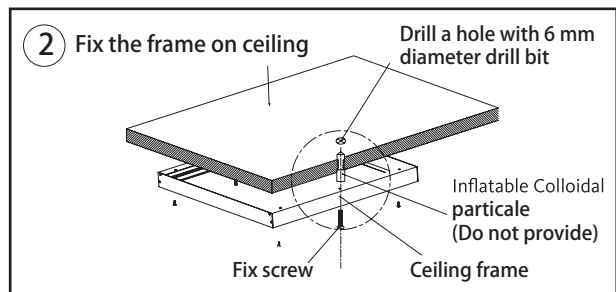
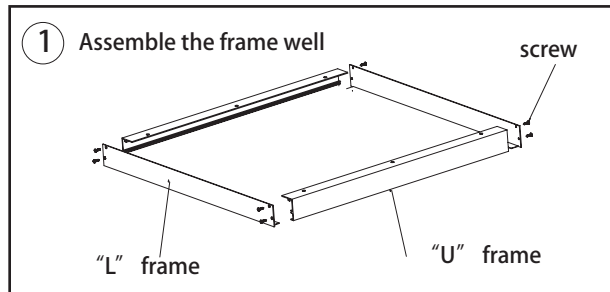
3. Take the ceiling panel down.



6. Please check if the lamp have been fixed in the ceiling channel.



SURFACE MOUNT



! Please make sure the frame is assembled well before fixed on ceiling.

FCC NOTICE

CAUTION: Changes or modifications not expressly approved could void your authority to use this equipment. This device complies with part 15 of the FCC Rules. Operation is subject to the following two conditions: (1) This device may not cause harmful interference, and (2) this device must accept any interference received, including interference that may cause undesired operation.

This equipment has been tested and found to comply with the limits for a Class A digital device, pursuant to part 15 of the FCC Rules. These limits are designed to provide reasonable protection against harmful interference when the equipment is operated in a commercial environment. This equipment generates, uses, and can radiate radio frequency energy and, if not installed and used in accordance with the instruction manual, may cause harmful interference to radio communications. Operation of this equipment in a residential area is likely to cause harmful interference in which case the user will be required to correct the interference at his own expense.

CAN ICES-003 (A)/NMB-003 (A)

WARRANTY

LIMITED FIVE-YEAR WARRANTY. Should this product fail to perform satisfactorily due to a defect or poor workmanship within five years from the date of purchase, return it to the place of purchase and it will be replaced, free of charge. Incidental or consequential damages are excluded from the warranty.