



IMAGE MAY VARY FROM ACTUAL PRODUCT

LED Flood Light

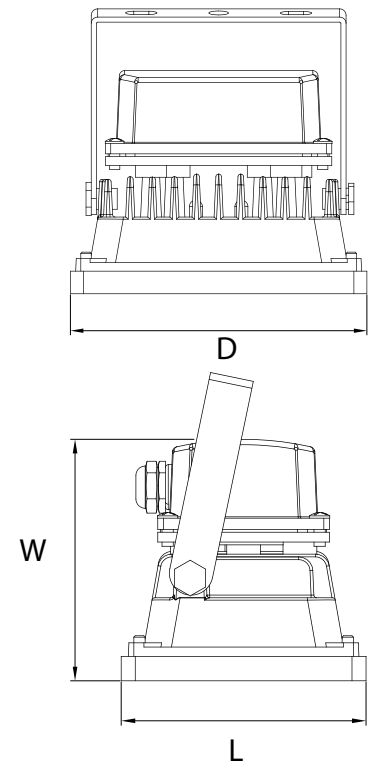


PRODUCT DESCRIPTION

LED Flood light series use die-casting aluminum housing. It is designed to replace the halogen, sodium and floodlight with long lifespan, high brightness output and high quality. High Quality Outdoor Powder Coat Finish. Ultra efficient LED and optical design.

SPECIFICATION

ABBFL15LED50-N	ABBFL25LED50-N	ABBFL45LED50-N
Depth: 4.5"	Depth: 7.1"	Depth: 9"
Width: 3.4"	Width: 5.5"	Width: 7.5"
Length: 3.4"	Length: 4.3"	Length: 5"
Max. Weight: 2.5LBS	Max. Weight: 2.5LBS	Max. Weight: 2.5LBS



Ordering Information

Example: ABB FL 15 LED 50-N

ABOVE ALL	Flood Light	Watts	Source type	CCT	Beam angle
ABB	FL	15 - 14 Watts 25 - 24 Watts 45 - 42 Watts	LED	50-5000K	30 - 3000K 40 - 4000K 50 - 5000K

Notice:

1. Standard Finish as Traditional Bronze.
2. DLC Premium only with 5000K at present.
3. Special Order as other finish color - Ask Customer Service for Details.

PERFORMANCE DATA

LUMEN OUTPUT

Lumen values are measured by third party certified laboratories performed in accordance with IESNA LM-79-08 as well as Lighting Facts listed.

Lumen Ambient Temperature (LAT) Multipliers

Use these factors to determine relative lumen output for average ambient temperature from -40-104°F (-40-40°C)

Watts	Lumen Output	AC Input 120V	Measured Watts	CRI	Beam Angle	LPW
14W	1150	0.13A	14W	70		73
24W	1860	0.22A	22W	70	70°	73
42W	3634	0.39A	45W	70		73

Ambient		Multiplier
Celsius	Fahrenheit	
0	32	1.02
10	50	1.01
20	68	1.00
25	77	1.00
30	86	1.00
40	104	0.99

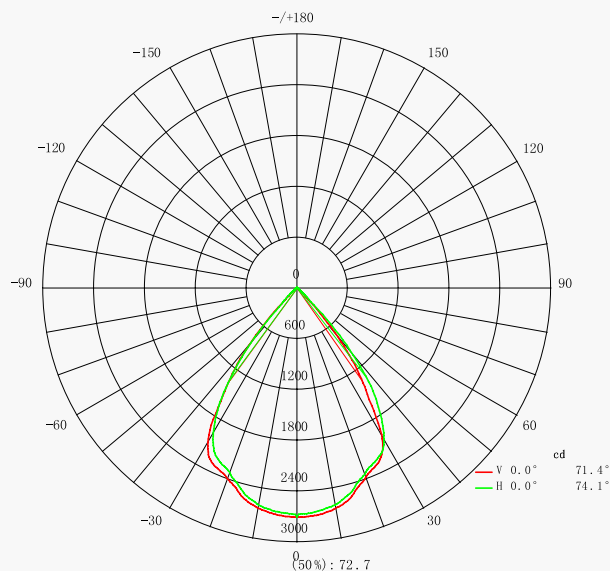
Projected LED Lumen Maintenance

Data references the extrapolated performance projections for the LED Flood light fixtures in a 77°F ambient, (tested per IESNA LM-80-08 and projected per IESNA TM-21-11).

Operating Hours	0	25,000	50,000	100,000	250,000
	Lumen Maintenance Factor	1.0	0.98(L98)	0.96(L96)	0.92(L92)

Photometry

All published luminaire photometric testing performed to IESNA LM-79-08 standards by a NVLAP certified laboratory.



PRODUCT SPECIFICATIONS

CONSTRUCION & MATERIALS

- Housing is all aluminum construction
- Terminal block for power input suitable for #2 - #10 AWG wire
- Luminaire sides are rugged die cast aluminum with integral, weathertight LED driver compartments and high performance heat sinks
- Surface-mount directly to a vertical or horizontal surface with included mount bracket

System Wattage	Max THD (%)	Power Factor	Power Efficiency	Replaces/ Equiv.(MH)
14W	20	>0.99	90%	70W
24W	20	>0.99	90%	100W
42W	20	>0.99	90%	175W

Ref#: 10016-20502

ELECTRICAL SYSTEM

- Input Voltage: 120-277V
- 50/60Hz
- Class II driver
- Minimum ambient -40°C, maximum ambient 40°C
- Power Factor: > 0.9 at full load
- Total Harmonic Distortion: < 20% at full load

CERTIFICATIONS AND QUALIFICATIONS

- cETLus Listed
- Suitable for wet location
- IP65 rated
- DLC qualified. Please refer to <http://www.designlights.org/QPL> for most current information
- RoHS compliant

Warranty

Ten year limited warranty. Full warranty terms located at www.abovealllighting.com/warrantystatements

Note: Specifications subject to change without notice.