



FLAT PANEL SURFACE MOUNTING KIT

PRODUCT DESCRIPTION

Flat panel surface mounting kit for dry wall ceiling. Aluminum construction and no cutting on the ceiling, easy installation.

SPECIFICATION

	Dimension (Inch)
2 x 2	23.86 x 23.86 x 1.97
1 x 4	11.93 x 47.76 x 1.97
2 x 4	23.86 x 47.76 x 1.97

Ordering Information

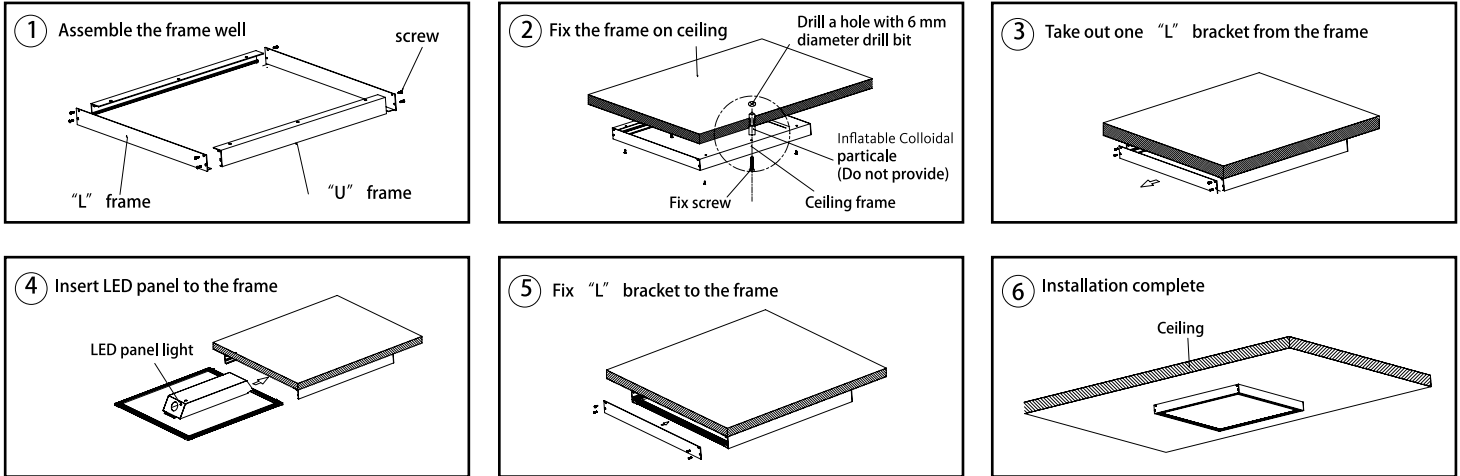
SKU	MODEL	IMAGE	DESCRIPTION
90122	FLP 1*4 Surface Mount Kit		1*4 Flat Panel Accessories
90106	FLP 2*2 Surface Mount Kit		2*2 Flat Panel Accessories
90123	FLP 2*4 Surface Mount Kit		2*4 Flat Panel Accessories

Notice:

- Standard Finish as White.

INSTALLATION

Surface Mount



Notice:
Please make sure the frame is assembled well before fixed on ceiling.