

SUITABLE FOR MODEL

SAFETY INSTRUCTION


READ CAREFULLY BEFORE INSTALLING FIXTURE. PLEASE KEEP THIS MANUAL FOR FUTURE USE.

Fixtures must be wired in accordance with the National Electrical Code and all applicable local codes. Proper grounding is required for safety.

THIS PRODUCT MUST BE INSTALLED IN ACCORDANCE WITH THE APPLICATION CODE BY A PERSON FAMILIAR WITH THE CONSTRUCTION AND OPERATION OF THE PRODUCT AND THE HAZARDS INVOLVED.

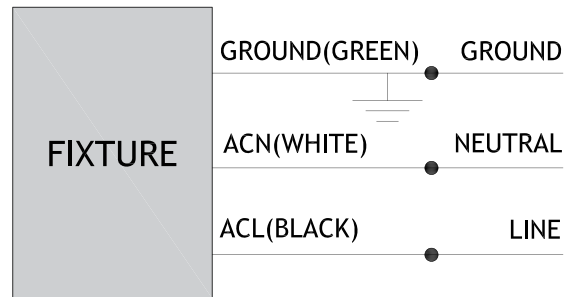
MAKE CERTAIN POWER IS OFF BEFORE INSTALLING OR MAINTAINING FIXTURE. CHECK THAT VOLTAGE IS COMPATIBLE WITH FIXTURE DRIVER. USE APPROVED CONNECTORS FOR ALL ELECTRICAL CONNECTIONS.

Maintenance Caution


1. Review the wire connection before beginning, and make sure fixture is grounded properly.
2. For lighting controls, follow control instructions carefully.
3. Turn power off and wait for fixture to cool before performing maintenance.
4. Maintenance must be done by professionals.

WIRE CONNECTION

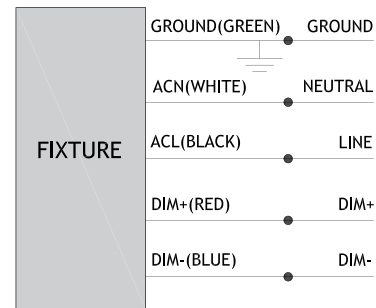
INPUT VOLTAGE: 120-277V,120V,277V, NON-DIMMING



Make the following Electrical Connection:

- a) Connect the voltage supply line to ACL in black.
- b) Connect the voltage supply Neutral to ACN in white
- c) Connect green ground lead to the supply ground lead.

INPUT VOLTAGE: 120-277V,120V,277V, DIMMING



Make the following Electrical Connection:

- a) Connect the voltage supply Line to ACL in Black.
- b) Connect the voltage supply Neutral to ACN in White
- c) Connect Green ground lead to the supply ground lead
- d) Connect the supply positive dimming lead to Dim+ lead in Red
- e) Connect the supply negative dimming lead to Dim- lead in Blue.

INSTALLATION
ITEMS REQUIRED

Accessory Pack Included:



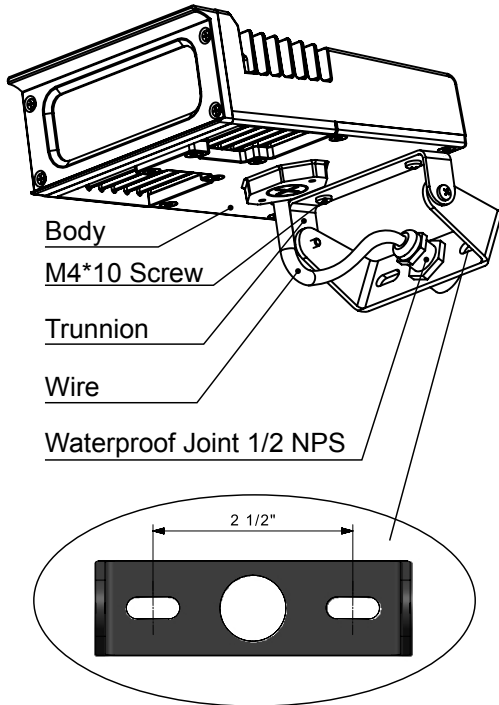
Wire Nut x 3(Non-dimming) / 5(Dimming)



O-ring x 2

Tools Prepared by Customer:

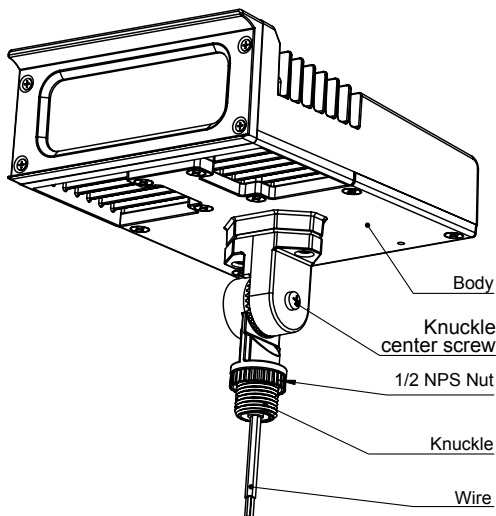
- Phillips screwdriver
- Electrical wiring tools
- Water tight cord connector
- Bracket attachment hardware
- Appropriate tools

OPTION 1: TRUNNION INSTALLATION


1. Mount luminaire to surface using the hole pattern provided on the trunion bracket. Recommend 1/4"-20 lag bolts and washers (supplied by others).

2. Make electrical connections from the trunion cord to the supply wiring as above wiring diagram. Be sure to use an appropriate weather-tight seal at the trunion cord entry point (not included.)

3. Adjust the aiming angle of the fixture by loosening the pivot screws and lock screws on the trunion bracket and rotating the assembly to the desired angle. Re-tighten the pivot and lock screws to ensure that the fixture is not loose.

OPTION 2: KNUCKLE INSTALLATION


1. Loosen the knuckle center screw. Adjust the position of the knuckle stem. Re-tighten.

2. Route electrical leads through the 1/2" NPS access hole in cover plate (supplied by others). Secure cover plate to knuckle with lock nut.

3. Make electrical connections as above wiring diagram.

4. Push wires into junction box and install cover plate (with luminaire attached) to the junction box.

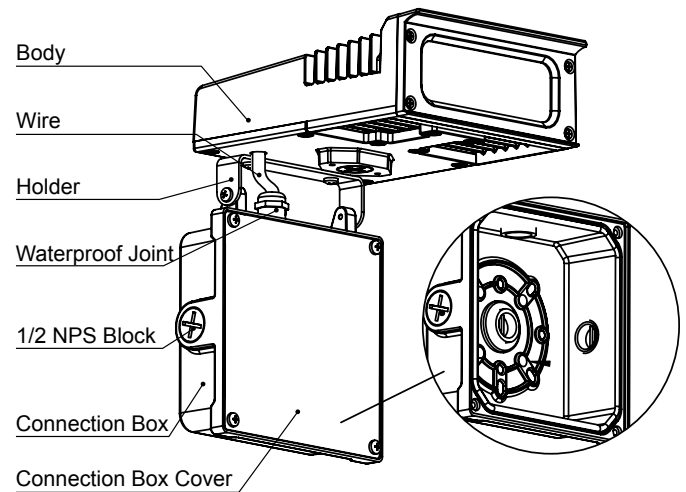
OPTION 3: JUNCTION BOX INSTALLATION


Fig. 1

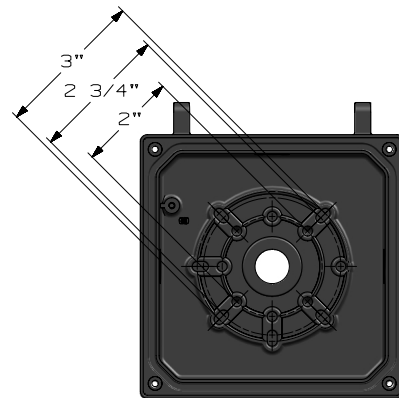


Fig. 2

1. Open connection box, mount luminaire to wall by drilling (2) holes on the junction box as Fig.2 shown

2. Make electrical connections in the connection box as above wiring diagram.

3. Screw the cover tightly

4. Adjust the direction of the body by loosening the pivot screws on holder. Re-tighten the pivot and lock screws to ensure that the fixture is not loose.