

LED V-LINE WALL PACK



PRODUCT DESCRIPTION

LED V-line Wall pack are designed with a high quality die cast housing. Durable chip and fade resistant powder coat finish. Efficient design separates the driver from the LED to minimize heat, air cooling design of aerodynamic and modern appearance. Adjustable head for precise aiming.

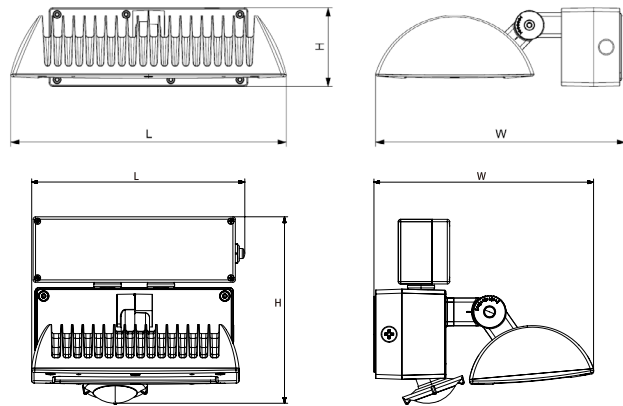
SPECIFICATION

Without EBU and Motion Sensor

26W & 38W	52W, 80W, 100W, 120W
Length: 10.12"	Length: 15.32"
Width: 9.84"	Width: 13.78"
Height: 4.69"	Height: 4.44"
Max. Weight: 8.8 lbs	Max. Weight: 17 lbs

With EBU and Motion Sensor

26W & 38W
Length: 10.35"
Width: 10.83"
Height: 9.24"
Max. Weight: 11.92 lbs



Ordering Information

Example: WL26501

Wall Light	Watts	CCT	Voltage	Controls	Lens Type
WL	26 - 26 Watts	30 - 3000K1	1 - 120-277V	MS - Multi Level Motion Sensor ² PC - Photo Control ³ EBU - Emergency battery backup ⁴	L3B - Black L3 lens ⁵
	38 - 38 Watts	40 - 4000K	4 - 120V		
	52 - 52 Watts	50 - 5000K	5 - 277V		
	70 - 80 Watts		6 - 347V/ 480V ⁶		
	100 - 100 Watts				
	120 - 120 Watts				

Notice:

- 3000K DLC Premium only qualified in 26W, 38W, 52W and 80W
- Motion Sensor is only available in 26W and 38W
- PC is only for 120V or 277V. Without PC, please choose 120-277V
- EBU is only available in 26W and 38W. And, the working temperature is 0-40°C
- Default motion sensor lens type is black L3 lens - Please ask customer service for other options.
- High Voltage version is unavailable in 26W and 38W.

* Standard Finish as Dark Bronze. Special Order as other finish color - Please Ask Customer Service for Details.

Add: 1501 Industrial Way N, Toms River, NJ 08755 **Phone:** 866-222-8866 **E-mail:** info@abovealllighting.com

Web: www.AboveAllLighting.com ©2016 ABOVE ALL Lighting, Inc. All rights reserved

PERFORMANCE DATA

LUMEN OUTPUT

Lumen values are measured by third party certified laboratories performed in accordance with IESNA LM-79-08 as well as Lighting Facts listed.

Watts	Lumen Output	LPW	Measured Watts	AC Input 120V	CCT	CRI	Beam Angle
26W	3060	123	25W	0.24A	5000	>70	79
38W	4960	121	41W	0.35A	5000	>70	78
52W	6548	127	52W	0.48A	5000	>70	90
80W	10166	125	81W	0.74A	5000	>70	91
100W	12558	124	101W	0.92A	5000	>70	92
120W	14454	117	123W	1.1A	5000	>70	88

Projected LED Lumen Maintenance

Data references the extrapolated performance projections for WL120501 in a 77°F ambient, (tested per IESNA LM-80-08 and projected per IESNA TM-21-11).

Lumen Ambient Temperature (LAT) Multipliers

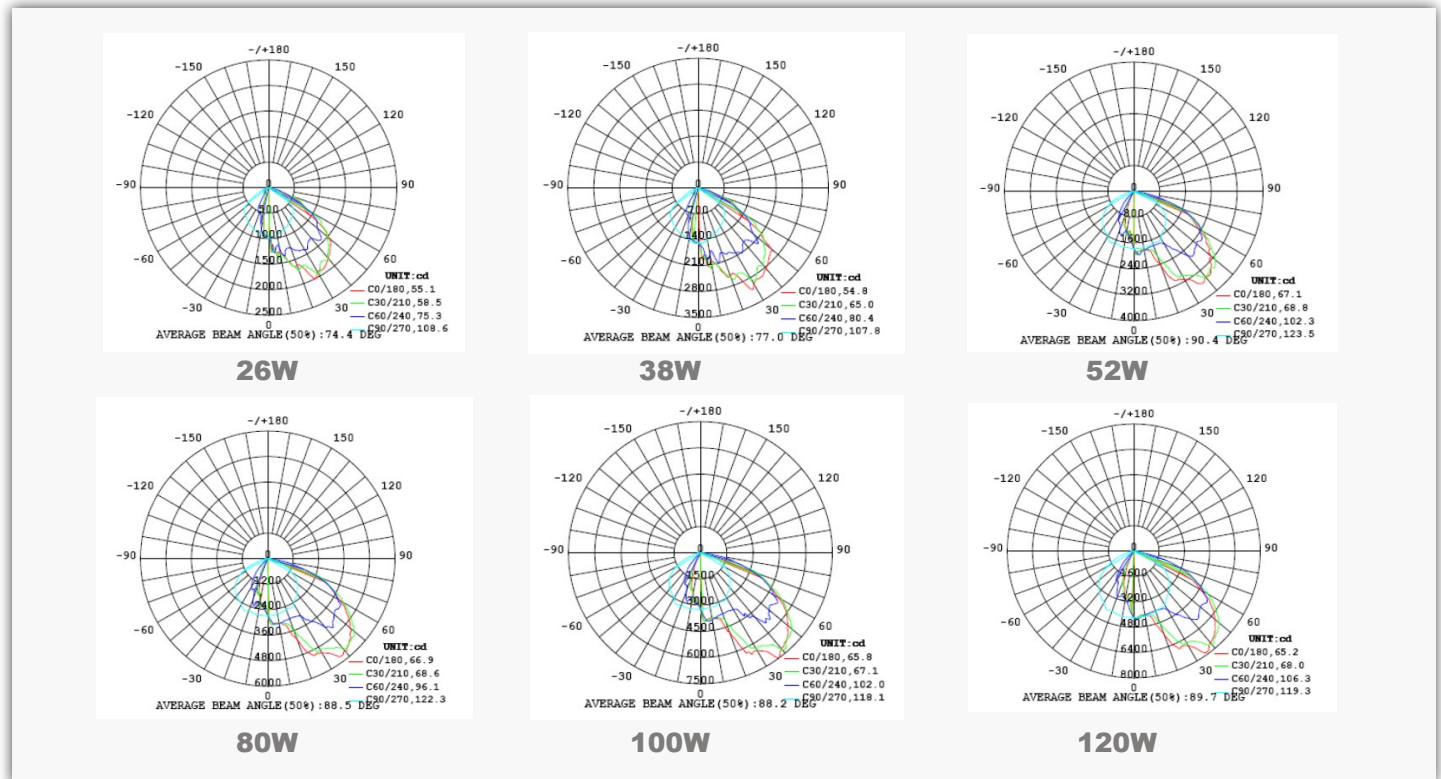
Use these factors to determine relative lumen output for average ambient temperature from -40-104°F (-40-40°C)

Ambient		Multiplier
Celsius	Fahrenheit	
0	32	1.02
10	50	1.01
20	68	1.00
25	77	1.00
30	86	1.00
40	104	0.99

Operating Hours	0	10,000	15,000	27,000	105,000
	Lumen Maintenance Factor	1.0	0.98(L98)	0.96(L96)	0.92(L92)

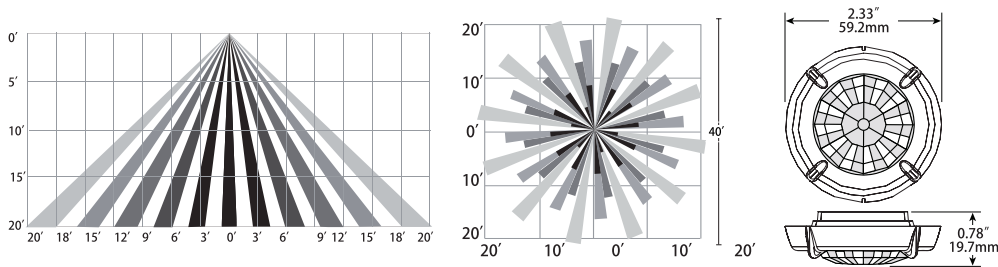
Photometry

All published luminaire photometric testing performed to IESNA LM-79-08 standards by a NVLAP certified laboratory.



MOTION SENSOR

The fixture with motion sensor raises or lowers the electric lighting level to high, low or off based on motion and/or daylight contribution. Typically, once the sensor stops detecting movement and the time delay elapses, lights will first fade to low mode, and eventually switch off. When motion is detected, the sensor ramps the light level to high mode unless the daylight contribution is sufficient. The integral photocell can also switch the lights on and off for dusk to dawn control, so that lighting remains on overnight even without motion detection.



The L3 provides maximum coverage of 40' diameter mounted at 20 feet. Please see left drawing for lens side and top coverage and dimension.

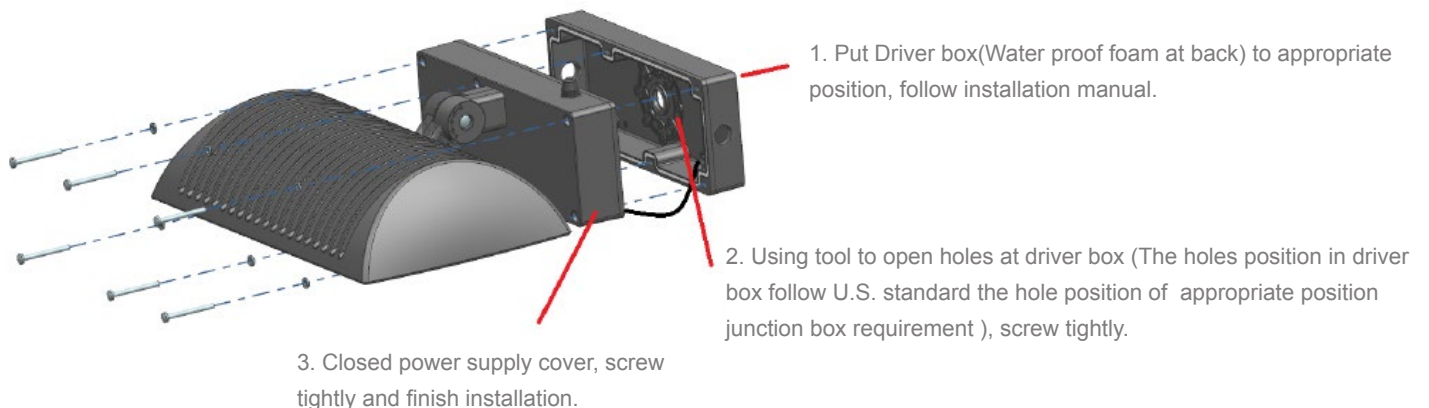
Note: For more details or setting, please contact customer service.

FEATURES



High quality die cast housing. Durable chip and fade resistant powder coat finish. Separated driver compartment minimize heat and enables high working temperature. Adjusted arm free to set up. 150° swivel design.

INSTALLATION



PRODUCT SPECIFICATIONS

CONSTRUCTION & MATERIALS

- Housing is all aluminum construction
- Terminal block for power input suitable for 18AWG wire
- Surface-mount directly to a vertical or horizontal surface with direct included mount bracket

ELECTRICAL SYSTEM

- Input Voltage: 120-277V/ 120V/ 277V/ 347V/ 480V
- 50/60Hz
- Minimum ambient -40°C, maximum ambient 40°C
- Power Factor: > 0.9 @120Vac
- Total Harmonic Distortion: < 20%
- 26W, 38W integral 2KV surge suppression protection standard
- 52W, 80W, 100W and 120W integral 4KV surge suppression protection standard

System Wattage	Max THD (%)	Power Factor (at 120Vac)	Power Efficiency	Replaces/ Equiv.(MH)
26W	20	>0.98	85%	150W
38W	20	>0.98	88%	175W
52W	20	>0.98	90%	250W
80W	20	>0.98	92%	320W
100W	20	>0.98	92%	400W
120W	20	>0.98	92%	400W

Ref#: 10291-21026

CERTIFICATIONS AND QUALIFICATIONS

- cETLus Listed
- Suitable for wet location
- IP65 rated
- DLC Premium qualified. Please refer to <http://www.designlights.org/QPL> for most current information
- RoHS compliant

BUG RATING

Model	BUG Rating
WL26501	B1-U1-G1
WL38501	B2-U1-G1
WL52501	B1-U1-G1
WL70501	B2-U1-G2
WL100501	B3-U1-G2
WL120501	B3-U2-G2

Effective Project Area

26W/38W EPA= 0.68 max (depending on mounting type)
 52W/80W/100W/120W EPA=1.42 max (depending on mounting type)

Warranty

Ten year limited warranty. Full warranty terms located at www.abovealllighting.com/warrantystatements

Note: Specifications subject to change without notice.