



# LED UFO HIGH BAY

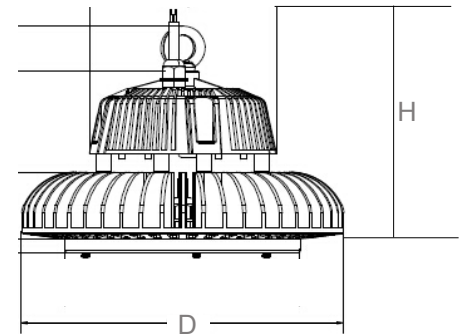


## PRODUCT DESCRIPTION

LED UFO High Bay Light is for workshop, warehouse, indoor stadium and other industrial applications. It is an ideal replacement for Induction lamp, metal halide or HID lamp, pure aluminum heat sink enables the lumen efficacy higher with excellent thermal management in one-piece structure by cold-forging technology.

## SPECIFICATION

100W & 150W	200W	240W
Φ10.23"X7.08"	Φ11.48"X8.19"	Φ11.48"X8.58"
(Φ260*183mm)	(Φ290*208mm)	(Φ290*218mm)
Max. Weight: 11.24 lbs	Max. Weight: 12.79 lbs	Max. Weight: 14.11 lbs



## Ordering Information

**Example: URHB100LED501**

UFO Round High Bay	Watts	Source Type	CCT	Voltage	Controls	Installation	Distribution	Options												
<b>URHB</b>	<b>100 -</b>	<b>LED</b>	<b>30 - 3000K<sup>1</sup></b>	<b>1 - 120-</b>	<b>Blank - No</b>	<b>Blank-Hook with</b>	<b>Blank-120°<sup>3</sup></b>	<b>Blank - None</b>												
	100 Watts								40 - 4000K	277VAC	Controls	Safety Chain	Shipped	<b>PCL</b> -Polycarbonate						
	<b>150 -</b>								<b>50 - 5000K</b>	<b>6 - 347/480V</b>	<b>MSW - Microwave</b>	<b>TR - Trunnion</b>	<b>Separately<sup>4</sup></b>	<b>Clear Lens</b>						
	150 Watts														<b>Motion Sensor<sup>2</sup></b>	<b>P - Pendant<sup>5</sup></b>	<b>60 - 60°</b>	<b>PFL</b> -Polycarbonate		
	<b>200 -</b>																		<b>70 - 70°</b>	<b>Frosted lens</b>
	200 Watts																			
<b>240 -</b>	<b>GS - Glare Shield</b>																			
240 Watts		<b>CGS - Clear Conical</b>																		
	<b>Glare Shield</b>																			
	<b>DGS - Drop Glare</b>																			
	<b>Shield</b>																			
	<b>WGAL</b> -Wire Guard <sup>6</sup>																			

**Notice:**

1. DLC Listed only with 4000K and 5000K at present.
2. No UL and DLC for motion sensor version. The motion sensor solution is only for 120-277V.
3. Standard distribution is 120° without any reflector. If for 60°/70°/90° need to match with different reflectors. For details please kindly check the accessories table.
4. Also available as accessories. For details please kindly check the accessories table.
5. 3/4" pendent mount adaptor.
6. It is suitable for 60 degree and 90 degree aluminum reflectors.

## PERFORMANCE DATA

### LUMEN OUTPUT

Lumen values are measured by third party certified laboratories performed in accordance with IESNA LM-79-08 as well as Lighting Facts listed.

### Lumen Ambient Temperature (LAT) Multipliers

Use these factors to determine relative lumen output for average ambient temperature from -4-104°F (-20-40°C)

Watts	Lumen Output	AC Input 120V	CRI	Beam Angle	LPW
100W	12500	0.92A	>80	120°	125
150W	18750	1.38A	>80		125
200W	25000	1.83A	>80		125
240W	30000	2.20A	>80		125

Ambient		Multiplier
Celsius	Fahrenheit	
0	32	1.02
10	50	1.01
20	68	1.00
25	77	1.00
30	86	1.00
40	104	0.99

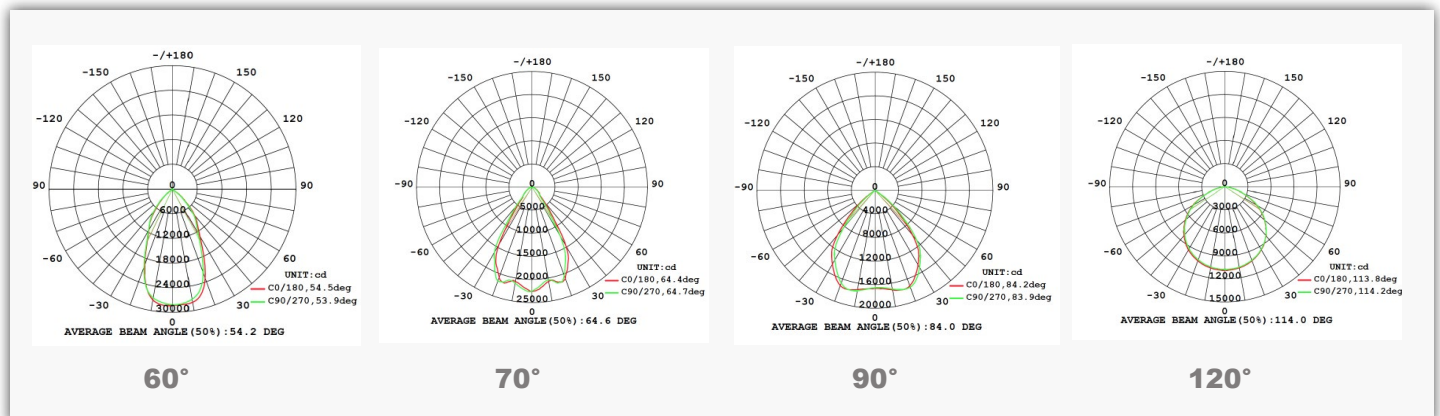
### Projected LED Lumen Maintenance

Data references the extrapolated performance projections for the LED High Bay in a 77°F ambient, (tested per IESNA LM-80-08 and projected per IESNA TM-21-11).

Operating Hours	115,000
Lumen Maintenance Factor	0.70(L70)

### Photometry

All published luminaire photometric testing performed to IESNA LM-79-08 standards by a NVLAP certified laboratory.



## Accessories

Notice: All these accessories need to be bought separately.



WITH 60D&90D AL REFLECTOR



WITH CONICAL GLARE SHIELD





WITH DROP GLARE SHIELD



WITH 70D PC REFLECTOR

SKU	MODEL	IMAGE	DESCRIPTION
90028	AB-AL-60D		60 degree aluminium reflector Suitable for UFO Highbay 100W,150W,200W,240W, with SKU /10850/10851/10869/10870
90023	AB-PC-70D		70 degree PC reflector Suitable for Round High Bay 90W,120W and 150W,and UFO Highbay 100W,150W,200W,240W of 70 Degree, with SKU 10167/10168/10169/10170/10 171/10172/10796/10797/10850/10851/1 0869/10870
90029	AB-AL-90D		90 degree aluminium reflector Suitable for UFO Highbay 100W,150W,200W,240W, with SKU /10850/10851/10869/10870

## Accessories

SKU	MODEL	IMAGE	DESCRIPTION
90024	AB-PC-DGS		PC Drop glare shield, suitable for 70 degree PC reflector with SKU 90023
90025	AB-PC-CGS		PC Clear conical glare shield, suitable for 70 degree PC reflector with SKU 90023
90142	AB-AL-GS		Glare shield, suitable for 60 degree and 90 degree aluminum reflector with SKU 90028 and 90029.
90117	RHB-WG-AL		Suitable for UFO Highbay 100W,150W,200W,240W with 60 degree and 90 degree aluminum reflector.

## Motion Sensor

### Motion Sensor (MS) Option

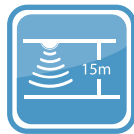
1. Microwave Motion Sensor
2. 3 Step dimming function, 100% --Low Light--off
3. Wide detection area, range up to 16m (52.4ft) in diameter and mounting height 15m(49.2ft) max



Max.8M (26.2ft)



Hold Time  
5s~30min



Mounting Height  
15m Max.  
(49.2ft)



Automatic  
Dimming

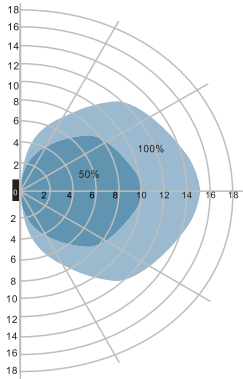


UFO WITH SENSOR 60°

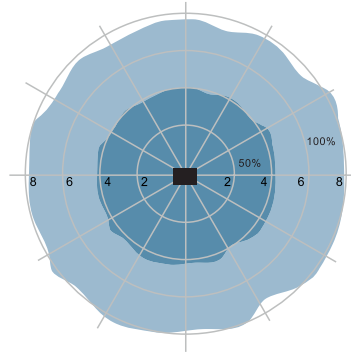


UFO WITH SENSOR 120°

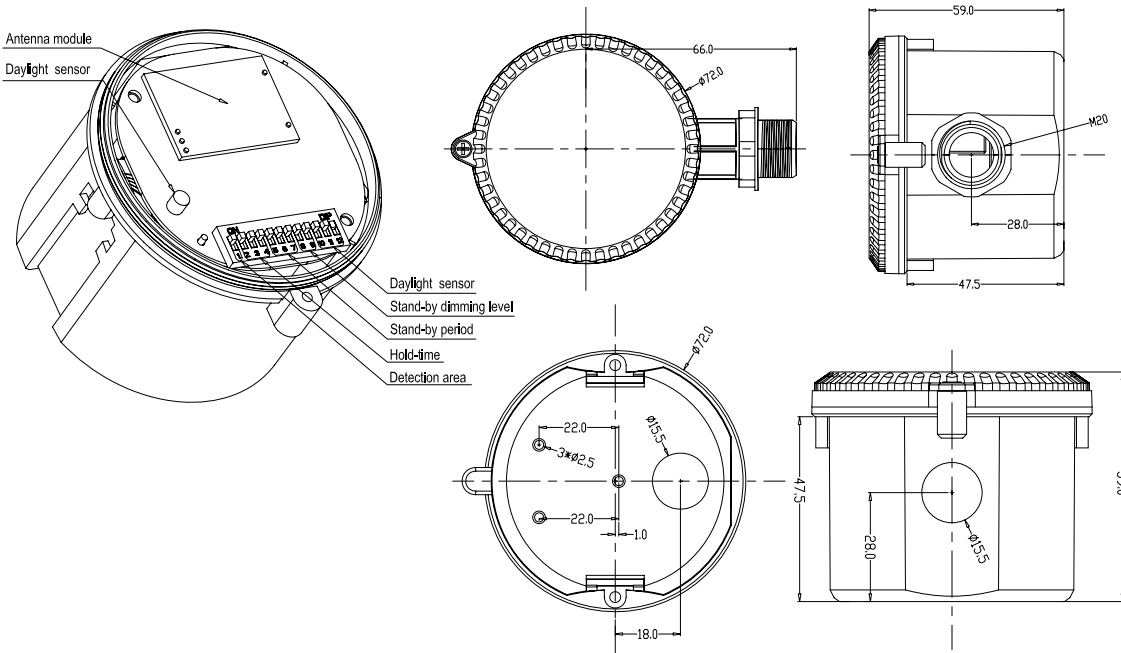
## DETECTION PATTERN



Wall mounting pattern (Unit: m)

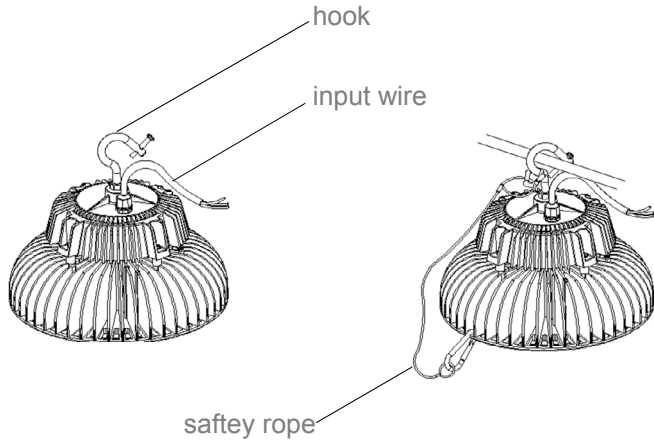


Ceiling mounting pattern (Unit: m)

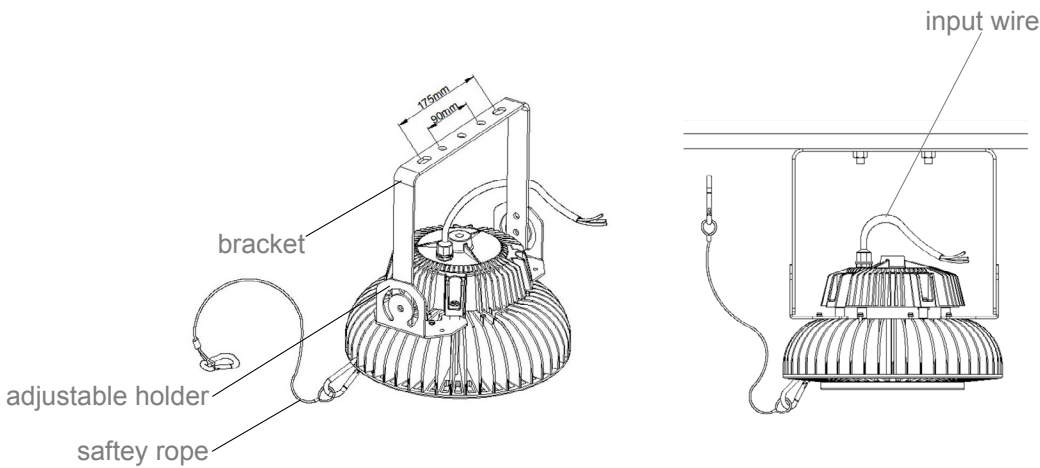


## INSTALLATION OPTIONS

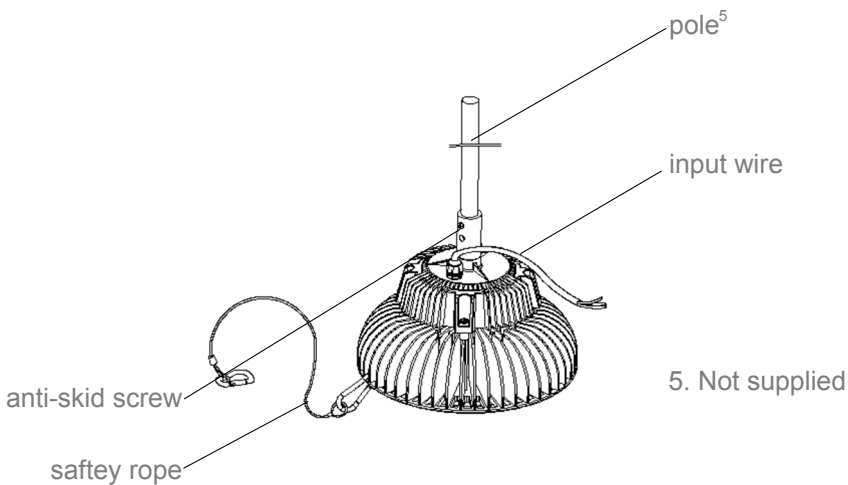
### 1. CEILING WITH HOOK



### 2. WALL MOUNTING



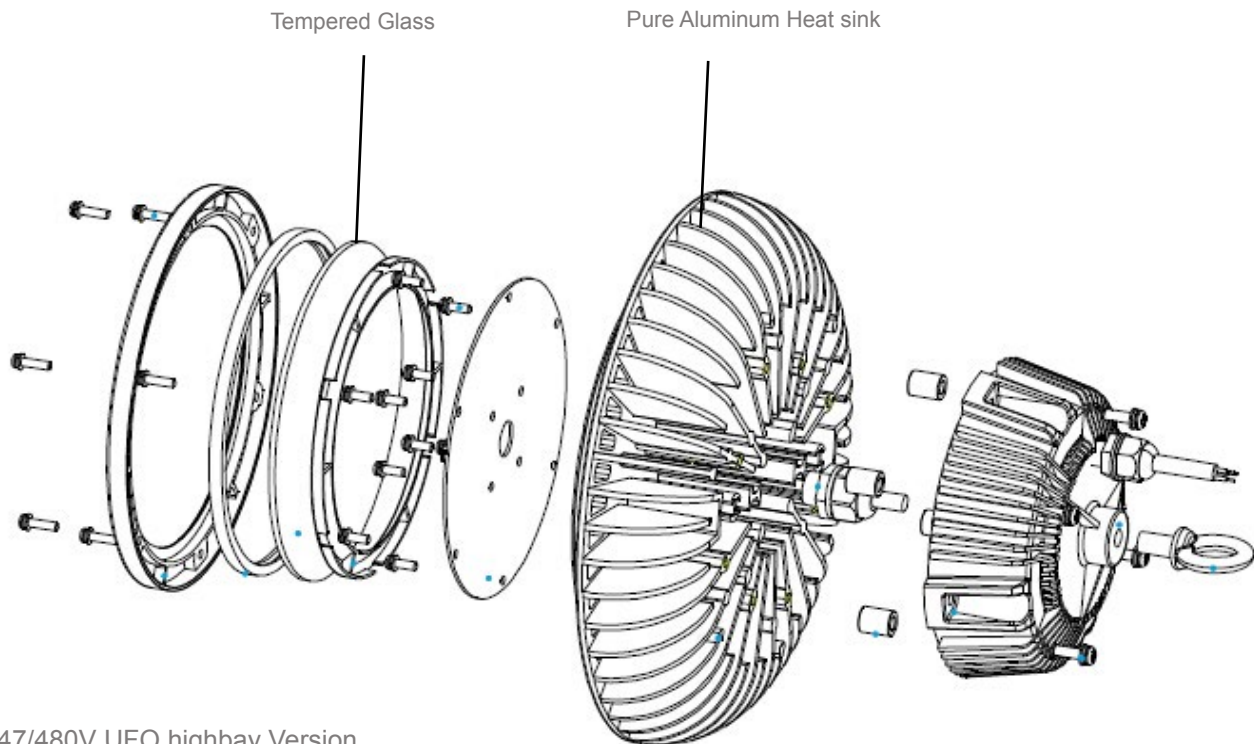
### 3. PENDANT MOUNTING





## CONSTRUCTION

- Pure aluminum heat sink
- Excellent thermal management in one-piece structure by cold-forging technology
- Optional beam angle with reflector in beam Angle 60,70, 90,120 degree



347/480V UFO highbay Version





## PRODUCT SPECIFICATIONS

### ELECTRICAL SYSTEM

- Input Voltage: 120-277V, 347/480V
- 50/60Hz
- Minimum ambient -4°F, maximum ambient 104°F
- Power Factor: > 0.9 at full load
- Total Harmonic Distortion: < 20% at full load

System Wattage	Max THD (%)	Power Factor	Power Efficiency	Replaces/ Equiv.(MH)
100W	20	>0.9	90%	400W
150W	20	>0.9	90%	600W
200W	20	>0.9	90%	800W
240W	20	>0.9	90%	1000W

Ref#: 10850-21026

### CERTIFICATIONS AND QUALIFICATIONS

- cULus Listed
- IP65 rated
- DLC qualified. Please refer to <http://www.designlights.org/QPL> for most current information
- RoHS compliant

### Warranty

Five year limited warranty. Full warranty terms located at [www.abovealllighting.com/warrantystatements](http://www.abovealllighting.com/warrantystatements)

**Note:** Specifications subject to change without notice.