

**SUITABLE FOR MODEL**



IMAGE MAY VARY FROM ACTUAL PRODUCT

**SAFETY INSTRUCTION**



**READ CAREFULLY BEFORE INSTALLING FIXTURE. PLEASE KEEP THIS MANUAL FOR FUTURE USE.**

Fixtures must be wired in accordance with the National Electrical Code and all applicable local codes. Proper grounding is required for safety.

**THIS PRODUCT MUST BE INSTALLED IN ACCORDANCE WITH THE APPLICATION CODE BY A PERSON FAMILIAR WITH THE CONSTRUCTION AND OPERATION OF THE PRODUCT AND THE HAZARDS INVOLVED. MAKE CERTAIN POWER IS OFF BEFORE INSTALLING OR MAINTAINING FIXTURE.**

**CHECK THAT VOLTAGE IS COMPATIBLE WITH FIXTURE DRIVER. USE APPROVED CONNECTORS FOR ALL ELECTRICAL CONNECTIONS.**

**MAINTENANCE CAUTION**



1. Review the wire connection before beginning, and make sure fixture is grounded properly.
2. For lighting controls, follow control instructions carefully.
3. Turn power off and wait for fixture to cool before performing maintenance.
4. Maintenance must be done by professionals.

**WIRE CONNECTION**

**Universal voltage driver permits operation at 120VAC thru 277VAC or 347VAC OR 480VAC, 50 or 60 Hz.**

1. Connect the black fixture lead to the LINE supply lead.
2. Connect the White fixture lead to the COMMON supply lead.
3. Connect the GROUND wire from fixture to supply ground.

<b>FIXTURE</b>	GREEN	GROUND
	WHITE	ACN
	BLACK	ACL

**INSTALLATION**

**WARNING**

**Risk of injury or damage. Make certain power is OFF before installing or maintaining fixture.**

**ACCESSORY PACK**

**FOR Pendant and Surface Mount**



WIRE NUT X 3

**FOR Hook Mount**



WIRE NUT X 3



HOOK X 1



3/4" NUT X 1

**PENDANT MOUNT**

1. Remove and loosen the screws. See Figure 1.
2. Remove the junction box from the fixture along the direction of the slot. See Figure 2.
3. Feed the customer supplied pendant stem and leads through the top opening of junction box. Tighten the pendant stem by customer supplied 3/4" NUT until secure. See Figure 3.
4. Replace and fix the junction box on fixture with the removed and loosened screws in step 1. Make wire connection with supplied wire nuts per "Electrical Connections". If need to be waterproof please make wire connection with customer supplied waterproof connectors or make other waterproof treatment per "Electrical Connections".
5. Push all wires back into the junction box. Replace the side plate and tight side plate screws. See Figure 4.
6. Support wire are required by installation Codes. Attach customer supplied support wire. See Figure 5.

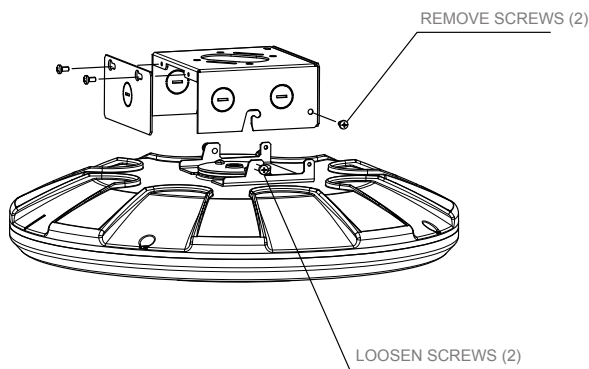


Figure 1

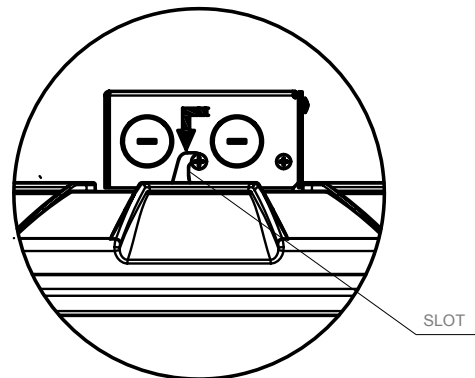


Figure 2

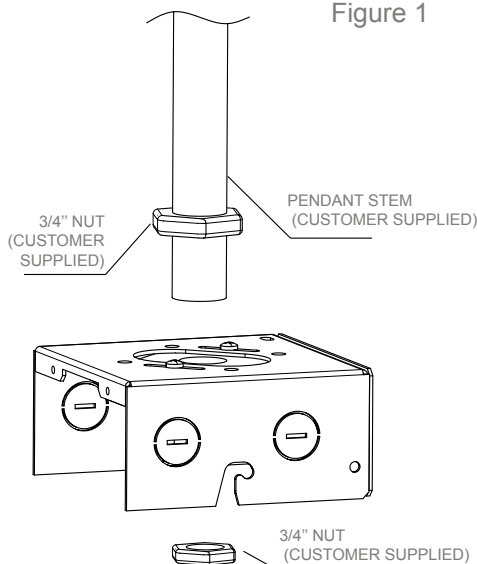


Figure 3

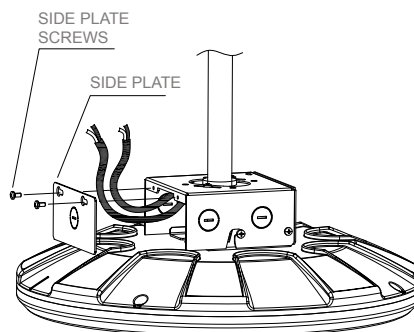


Figure 4

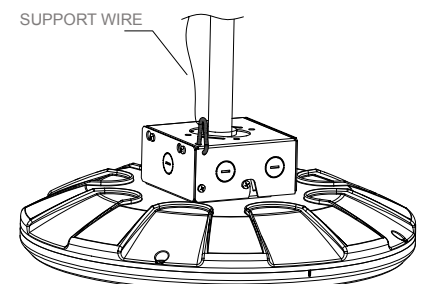


Figure 5

## HOOK MOUNT

1. Remove and loosen the screws. See Figure 1.
2. Remove the junction box from the fixture along the direction of the slot. See Figure 2.
3. Take out the hook from the accessory bag. Attach the hook to the junction box with 3/4" NUT. See Figure 6.
4. Attach the hook with customer supplied rope or loop from the place where need to be mounted. Bottom out the locking screw on the hook. Feed the leads through the hook opening.
5. Replace and fix the junction box on fixture with the removed and loosened screws in step 1. Make wire connection with supplied wire nuts per "Electrical Connections". If need to be waterproof please make wire connection with customer supplied waterproof connectors or make other waterproof treatment per "Electrical Connections".
6. Push all wires back into the junction box. Replace the side plate and tight side plate screws. See Figure 7.
7. Support wire are required by installation Codes. Attach customer supplied support wire. See Figure 8.

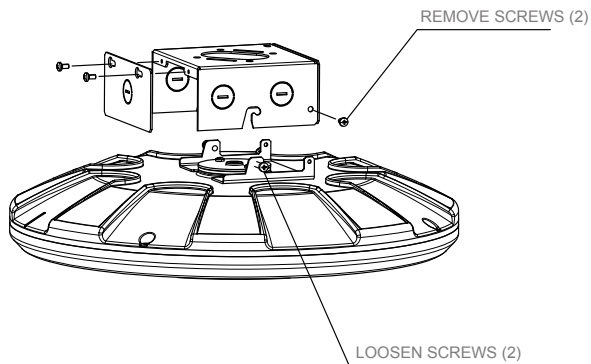


Figure 1

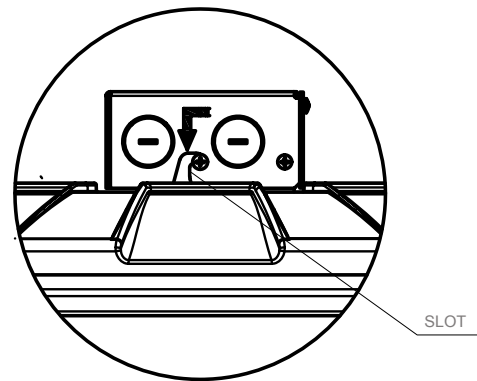


Figure 2

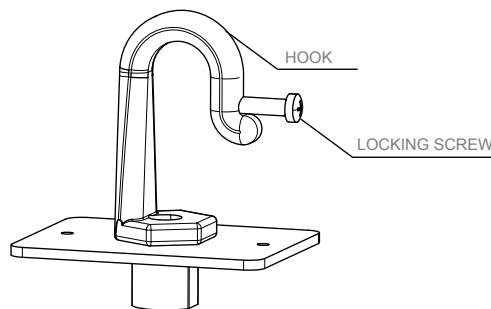


Figure 6

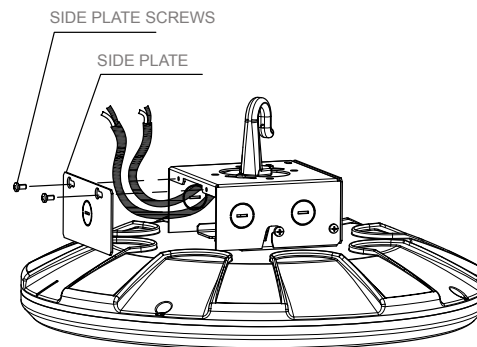


Figure 7

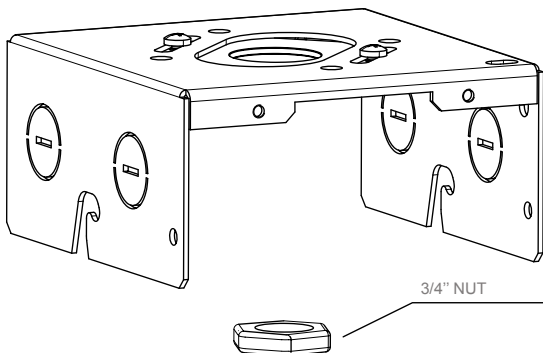


Figure 6

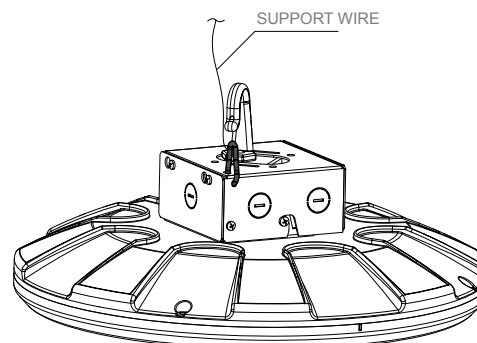


Figure 8

**SURFACE MOUNT**

1. Remove and loosen the screws. See Figure 1.
2. Remove the junction box from the fixture along the direction of the slot. See Figure 2.
3. Remove the adjustment plate and two screws. See Figure 9.
4. Secure the junction box to mounting surface by customer supplied anchor screws, toggle bolts or suitable fasteners. The two ceiling opening distance is 3". See Figure 10.
5. Replace and fix the junction box on fixture with the removed and loosened screws in step 1. Make wire connection with supplied wire nuts per "Electrical Connections". If need to be waterproof please make wire connection with customer supplied waterproof connectors or make other waterproof treatment per "Electrical Connections".
6. Push all wires back into the junction box. Replace the side plate and tight side plate screws. See Figure 11.

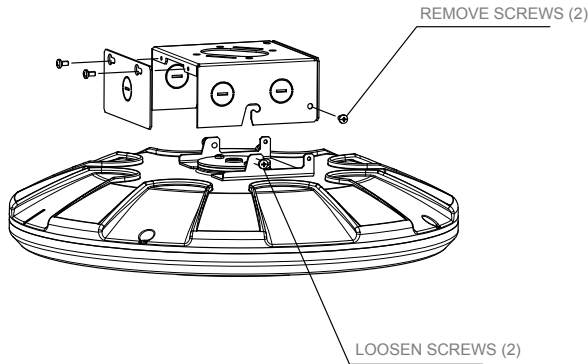


Figure 1

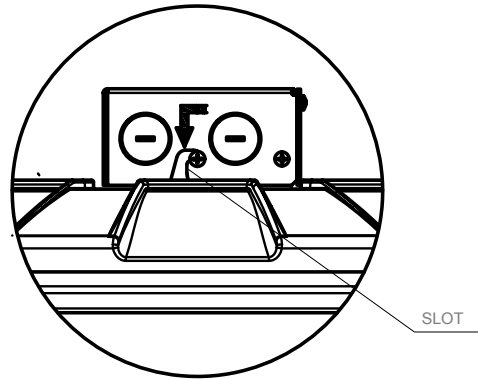


Figure 2

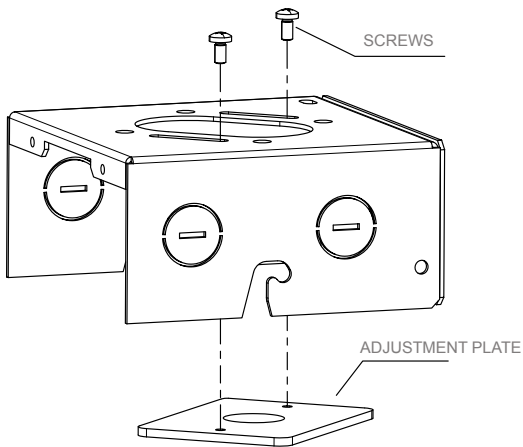


Figure 9

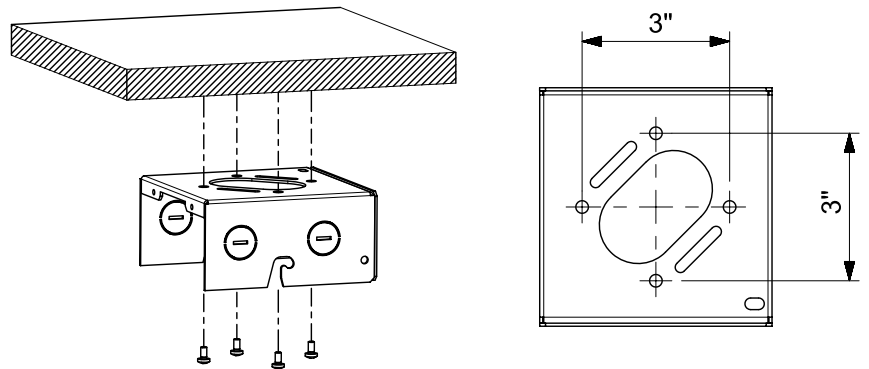


Figure 10

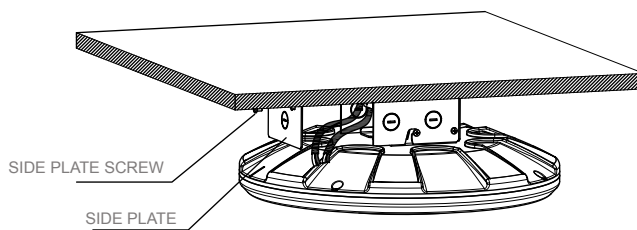


Figure 11

**NOTES:**

The luminaire may be balanced by loosening two screws for pendant and hook adjustment on the top of the junction box and sliding the adjustment plate as necessary for correct balance. Tighten two screws when finished.