

SUITABLE FOR MODEL**SAFETY INSTRUCTION:**

READ CAREFULLY BEFORE INSTALLING FIXTURE. PLEASE KEEP THIS MANUAL FOR FUTURE USING. Fixtures must be wired in accordance with the National Electrical Code and all applicable local codes. Proper grounding is required for safety.

THIS PRODUCT MUST BE INSTALLED IN ACCORDANCE WITH THE APPLICATION CODE BY A PERSON FAMILIAR WITH THE CONSTRUCTION AND OPERATION OF THE PRODUCT AND THE HAZARDS INVOLVED.

MAKE CERTAIN POWER OFF BEFORE INSTALLING OR MAINTAINING FIXTURE.

CHECK THAT VOLTAGE IS COMPATIBLE WITH FIXTURE DRIVER, USE APPROVED CONNECTORS FOR ALL ELECTRICAL CONNECTIONS.

WARNING:**RISK OF ELECTRICALSHOCK**

- Turn off electrical power at fuse or circuit breaker box before wiring fixture to the power supply.
- Turn off the power when you perform any maintenance.
- Verify that supply voltage is correct by comparing it with the luminaire label information.
- Make all electrical and grounded connections in accordance with the National Electrical Code and any applicable local code requirements.
- All wiring connections should be capped with UL approved wire connectors.

CAUTION:**RISK OF INJURY**

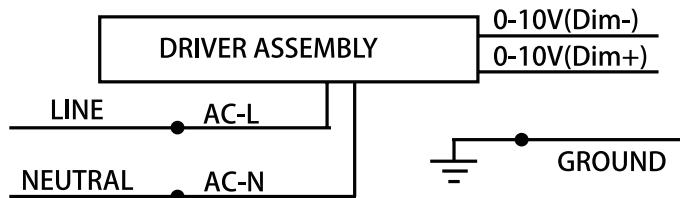
- Wear gloves and safety glasses at all times when removing luminaire from carton, installing, servicing or performing maintenance.
- Avoid direct eye exposure to the light source while it is on.
- Account for small parts and destroy packing material, as these may be hazardous to children.

CAUTION:**RISK OF FIRE**

- Keep combustible and other materials that can burn away from luminaire and lamp/lens.
- MIN 90°C SUPPLY CONDUCTORS.

WIRE CONNECTION

Universal voltage driver permits operation at 120V thru 277V, 50 or 60Hz



- Connect the voltage supply Line to our AC-L terminal
- Connect the voltage Neutral supply to our AC-N terminal
- Connect the green/yellow ground lead to the supply ground lead
- If 0-10V Dimming is used, connect the supply positive dimming lead to our 0-10V(Dim+) terminal
- If 0-10V Dimming is used, connect the supply negative dimming lead to our 0-10V(Dim-) terminal

INSTALLATION

ACCESSORY PACK



WIRE NUT X 5

INSTALLATION STEPS

Notes:

- DO NOT attempt to remove the lens from the metal lens frame.
- Make sure the safety ropes always are connected between luminaire base and lens frame assembly.

Step 1.

Locate the mounting points based on the Dimension Drawing. See Figure 1.

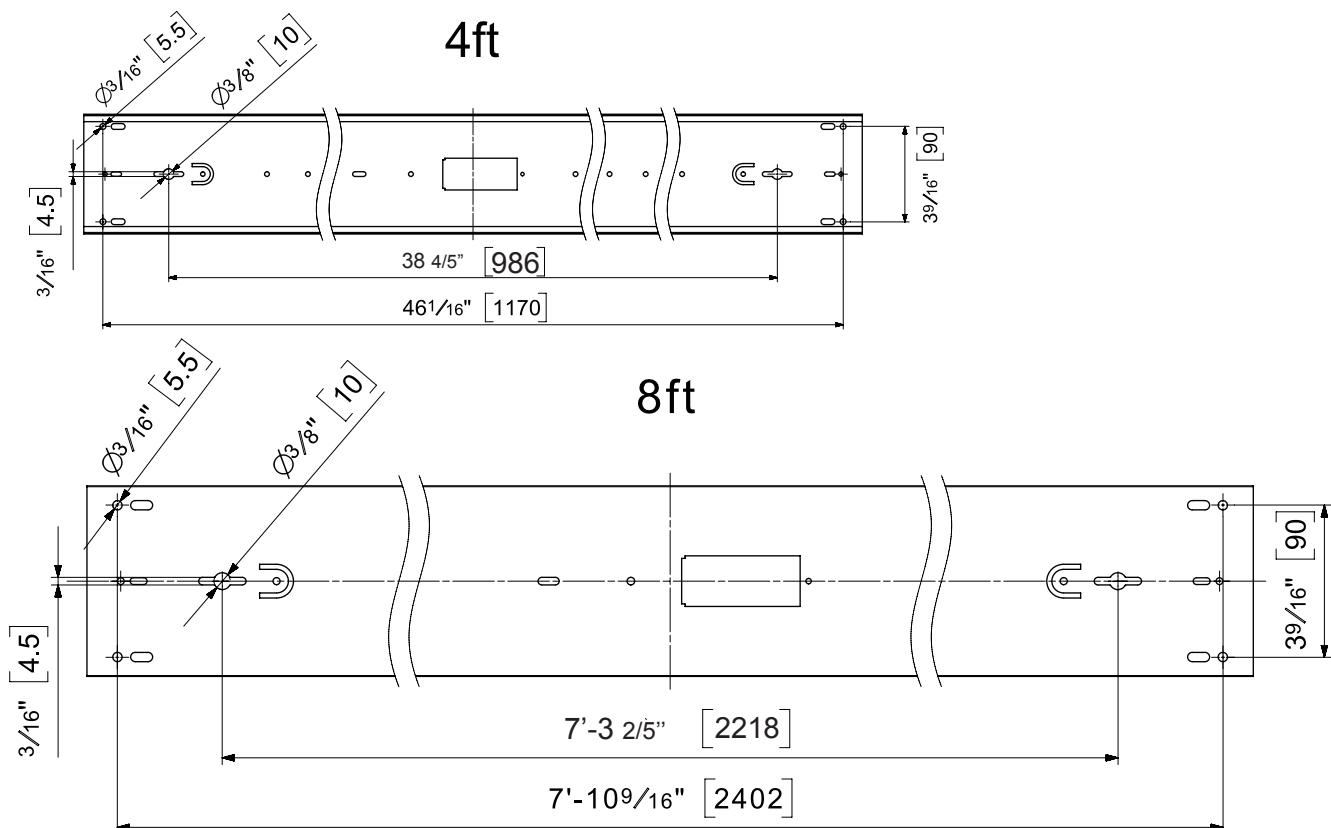


Figure 1

Step 2.

Remove the Lens Frame Assembly from the Luminaire Base by removing the four screws on the side of the base. See Figure 2.

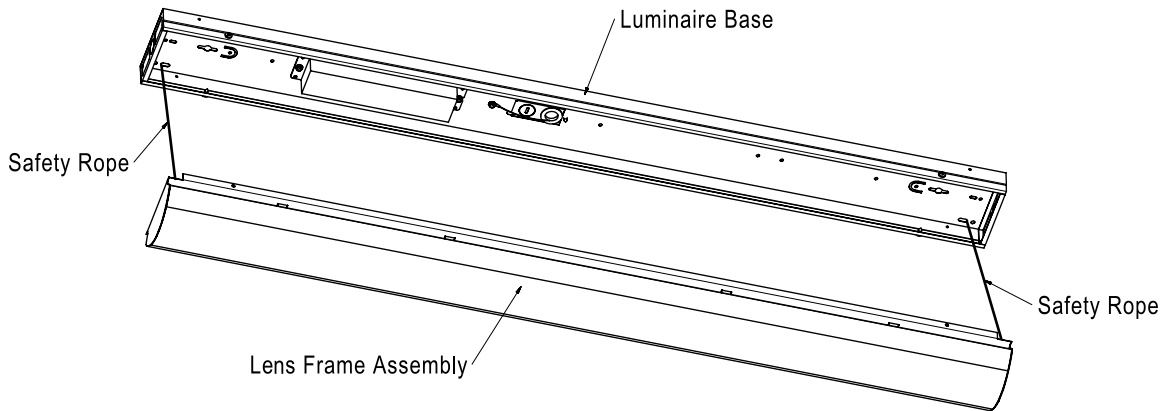


Figure 2

Step 3.

Bring customer supplied wires into luminaire through the Wiring Knockouts on the backside or end cap. See Figure 3.

Step 4.

Choose the proper installation method and prepare suitable installation tools and accessories.

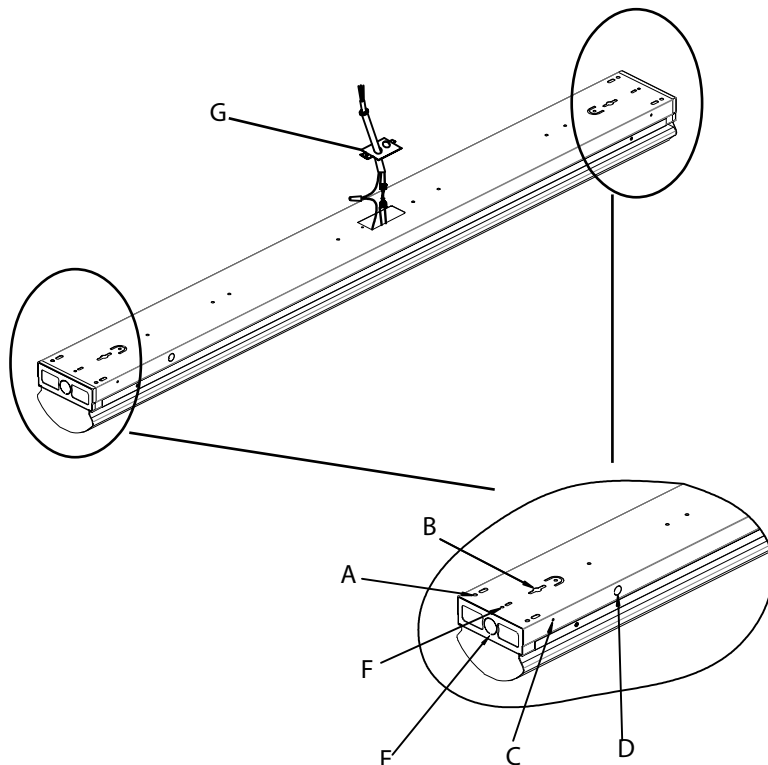
SURFACE MOUNT

Depending on structural conditions, secure luminaire to mounting surface by customer supplied anchor screws, toggle bolts or suitable fasteners into Keyhole Slots. See Figure 3.

CHAIN MOUNT

Attach customer supplied V-hooks to each end of the luminaire base. See Figure 3.

Attach customer supplied Chain to the V-hooks and mount surface. Make sure the luminaire is balanced.



- A. V-hook Openings for Chain Mounting
- B. Keyhole Slots for Surface Mounting
- C. Wire Guard Openings
- D. Knockouts for Emergency Charging Indicator
- E. Wiring Knockouts
- F. Safety Chain Openings
- G. Wiring Cover with knockout

Figure 3

Step 5

Connect wires as shown in wiring diagram with wire nuts.

Step 6

Reattach Lens Frame Assembly to luminaire base by locking the removed four screws.