



IMAGE MAY VARY FROM ACTUAL PRODUCT

LS Garage Light

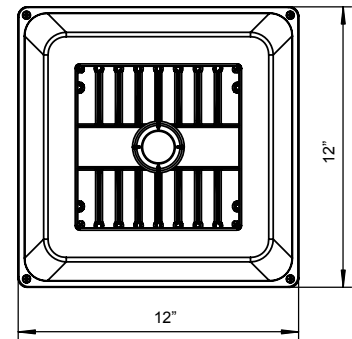
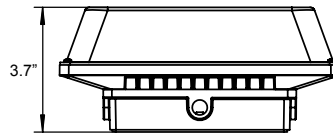


PRODUCT DESCRIPTION

The LS series garage lights are the high-performance solution for the most demanding applications within a patented air cooling design. With L70 life of 175,000 hours and an easy-install design, it provides an affordable initial cost and low total cost of ownership. With high lumen packages and precision refractive optics, the LS series can meet superior illumination performance requirements.

SPECIFICATION

Dimension(L-W-H): 12"-12"-3.7"
 Max. Weight: 13.5 lbs



Ordering Information

Example: LSPKG35501-MS

LS Series Garage Light Lights	Watts	CCT	Voltage	Series	Controls
LSPKG	35 - 36 Watts	50 - 5000K	1 - 120-277V	Blank - DLC Standard	MS - Multi-level Motion Sensor
	65 - 70 Watts		6 - 347/480V		

Standard Finish as White and Traditional Bronze.

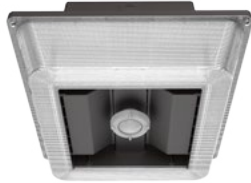
DLC Premium series are also available, please visit our website or ask customer service for details

PRODUCT FEATURE

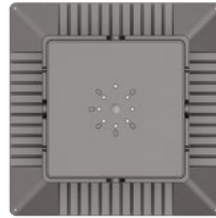
1. Patented Air Cooling Design
2. IP65 Rated Enclosure
3. Surface or Pendant Mounting
4. Superior Low-glare Illumination
5. Programmable Multi-level Motion Sensor
6. Impact Resistant Prismatic Lens
7. Performance up to 110 LPW
8. 5 Year Warranty Based on 40 °C



Programmable multi-level dimming motion sensor featured



Prism design, no glare



Patented air cooling design

MOUNTING OPTION

1. Pendant
2. Surface



PERFORMANCE DATA

LUMEN OUTPUT

Lumen values are measured by third party certified laboratories performed in accordance with IESNA LM-79-08 as well as Lighting Facts listed.

Watts	Lumen Output	AC Input 120V	Measured Watts	CRI	Dist. Type	LPW
35W	3936	0.32A	36W	>80	Type V	107
65W	7710	0.60A	70W	>80		110

Lumen Ambient Temperature (LAT) Multipliers

Use these factors to determine relative lumen output for average ambient temperature from -40-104°F (-40-40°C)

Ambient		Multiplier
Celsius	Fahrenheit	
0	32	1.02
10	50	1.01
20	68	1.00
25	77	1.00
30	86	1.00
40	104	0.99

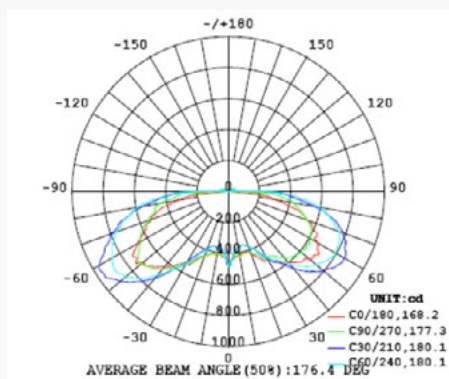
Projected LED Lumen Maintenance

Data references the extrapolated performance projections for the LED LS garage light in a 77°F ambient, (tested per IESNA LM-80-08 and projected per IESNA TM-21-11).

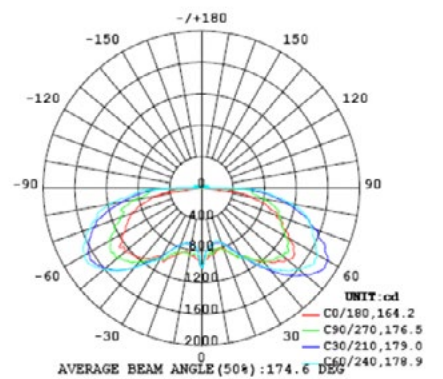
Operating Hours	0	4,000	7,000	30,000	175,000
	Lumen Maintenance Factor	1.0	0.98(L98)	0.96(L96)	0.92(L92)

Photometry

All published luminaire photometric testing performed to IESNA LM-79-08 standards by a NVLAP certified laboratory.



36W



70W

PRODUCT SPECIFICATIONS

ELECTRICAL SYSTEM

- Input Voltage: 120-277VAC, 347/480V
- 50/60Hz
- Operating temperature range: -40°C-40°C
- Power Factor: > 0.9 at full load
- Total Harmonic Distortion: < 20% at full load

System Wattage	Max THD (%)	Power Factor	Power Efficiency	Replaces/ Equiv.(MH)
36W	20	>0.9	90%	175W
70W	20	>0.9	90%	320W

Ref#: 11100-10112

CERTIFICATIONS AND QUALIFICATIONS

- cETLus Listed
- IP65 rated
- DLC listed
- RoHS compliant

LS GARAGE LIGHT RATED LIFE

Ambient Temp in	73°F	104°F	113°F	122°F
36W Rated Life	78,000H	76,000H	57,000H	40,000H
70W Rated Life	78,000H	72,000H	66,000H	61,000H

BUG RATING

Model	BUG Rating
LSPKG35501	B2-U2-G2
LSPKG65501	B3-U3-G3

Warranty

Ten year limited warranty. Full warranty terms located at www.aboveallighting.com/warrantystatements

Note: Specifications subject to change without notice.