

SUITABLE FOR MODEL

AB-LSR-#-XX-YYZZ
WARNING


**READ CAREFULLY BEFORE INSTALLING FIXTURE.
PLEASE KEEP THIS MANUAL FOR FUTURE USE.**

RISK OF FIRE OR ELECTRIC SHOCK

- Disconnect power before installation or maintenance.
- The electrical rating of these products are 120-277 Vac, the installer must determine whether they have 120-277 V at the luminaire before installation.
- WARNING-Risk of fire or electric shock. Luminaire wiring and electrical parts may be damaged when drilling for installation of LED retrofit kit. Check for enclosed wiring and components.”
- WARNING-Risk of fire or electric shock. LED Retrofit Kit installation requires knowledge of luminaires electrical systems. If not qualified, do not attempt installation. Contact a qualified electrician.”
- WARNING-Risk of fire or electric shock. Install this kit only in the luminaires that have the construction features and dimensions shown in the photographs and/or drawings.” and where the input rating of the retrofit kit does not exceed the input rating of the luminaire.
- Only those open holes indicated in the photographs and/or drawings may be made or altered as a result of kit installation. Do not leave any other open holes in an enclosure of wiring or electrical components.
- Do not make or alter any open holes in an enclosure of wiring or electrical components during kit installation.
- WARNING-Risk of fire or electric shock. To prevent wiring damage or abrasion, wiring are routed loose and not exposed to edges of sheet metal, screw points, or other sharp objects.

Maintenance Caution


- The Light Bar may fall down if not installed properly, follow installation instructions.
- Wear safety glasses and proper aid during installation and maintenance.

SAVE THESE INSTRUCTIONS

These instructions do not purport to cover all details or variations in components nor to provide for every possible contingency to be met in connection with installation, operation or maintenance. Should further information be desired or should particular problem arise which are not covered sufficiently for the purchaser’s purpose, the matter should be referred to McWong International, Inc. McWong International does not claim liability for any installation not performed according to this guide or not by a qualified electrician.

- Maintenance must be done by professionals.

FOR YOUR SAFETY

Read and observe all CAUTIONS and WARNINGS shown throughout these instructions.

- Installation to be performed by factory trained or qualified personnel. Ensure this manual is provided to the installers and users.
- Use this product only in the manner intended by the manufacturer. If there are any questions or concerns, contact the manufacturer.

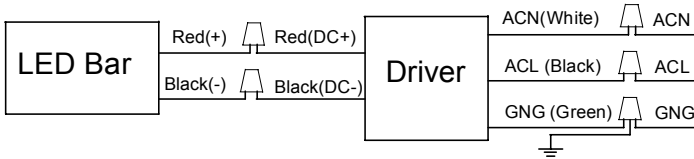
SUITABLE LUMINAIRE

The Min. Dimensions of the Luminaire that the Kit will Need to Be Installed in.

Linea Retrofit Kit Model	Minimum Lamp Compartment Dimensions
AB-LSR-2-12-YYZZ	8 cm by 60.96 cm (2 ft. long Lamp)
AB-LSR-3-15-YYZZ	8 cm by 91.44 cm (3 ft. long Lamp)
AB-LSR-4-20-YYZZ	8 cm by 121.90 cm (4 ft. long Lamp)
AB-LSR-4-25-YYZZ	8 cm by 121.90 cm (4 ft. long Lamp)
AB-LSR-4-45-YYZZ	8 cm by 121.90 cm (4 ft. long Lamp)

WIRE CONNECTION

INPUT VOLTAGE: 120-277V



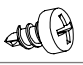

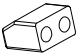
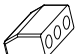
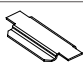
Make the following Electrical Connection:

- Connect LED Bar Red wire(+) to Driver Red Wire(DC +)
- Connect LED Bar Black wire(-) to Driver Black wire(DC -)
- Connect the voltage supply line to ACL in Black.
- Connect the voltage supply Neutral to ACN in White
- Connect Green ground lead to the supply ground lead.

PREPARATION BEFORE INSTALLATION

1. Check Accessory Pack

Accessory Bag Included:

Name	Qty	Picture
A combination of slotted and Philips drill point screws(ST3.5*L9.5)	2pcs	
Hex Drill Point Screws (ST4.2*L13)	4 or 6pcs	
Conductor, 2pin	4pcs	
Conductor, 3pin	1pc	
Socket cover (for removing socket installation only)	2pcs	
Warning Label (on the The surface of the kit)	1pc	
Instruction Manual	1pc	

2.Tools Prepared by Customer

Screwdriver
 Portable drill
 Wire cutter

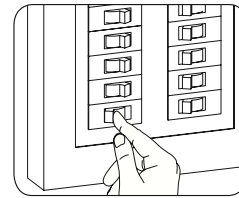
3. Required Driver Accessory Kit and Dimensions for Fixture Installation

Linea Retrofit Kit Model	LED Bar Length	Nominal Input Power	Driver Model	Driver Size	Diameter Of Driver Fixing Hole
AB-LSR-2-12-yyzz*	22.5" 572mm	12W	XZ-SC25B-400046	10.94"x1.16"x0.83" 278*29.5*21.0mm	φ 3.8mm φ 0.15"
AB-LSR-3-15-yyzz	34.53" 877mm	15W	XZ-SC25B-400046		
AB-LSR-4-20-yyzz	46.54" 1182mm	20W	XZ-SC25B-400046		
AB-LSR-4-25-yyzz	46.54" 1182mm	25W	XZ-SC40B-400070		
AB-LSR-4-45-yyzz	46.54" 1182mm	45W	XZ-SC50B-450105		

* yy refers to CCT, zz refers to CRI.

INSTALLATION

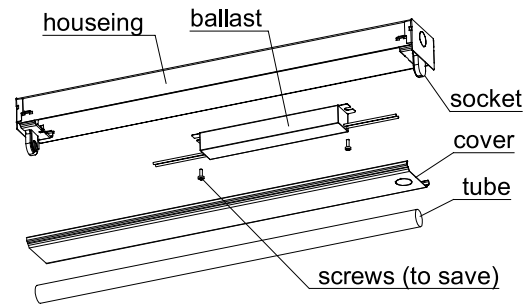
- Disconnect power before installation or maintenance.



- The First Installation(Remain Socket)

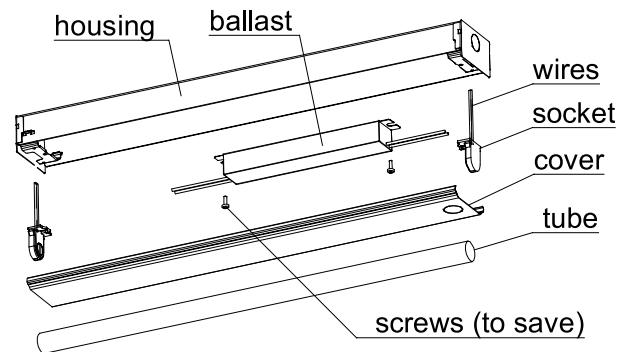
- 2.1. Remove existing tube and keep the socket on both ends. Open the ballast housing cover, cut off the wires of socket and remove the ballast.

Please save the ballast mounting screws for next step.

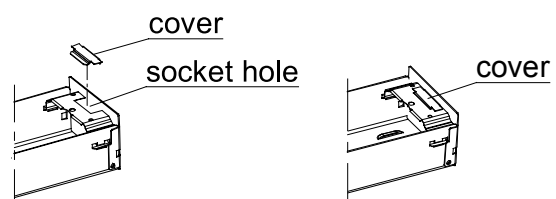


- The Second Installation(Remove Socket)

- 3.1 Remove existing tube, open the ballast housing cover and then remove the ballast and socket on both ends. Please save the ballast mounting screws for next step.

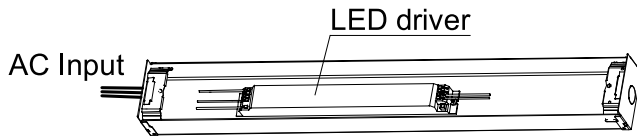


- 3.2 Cover the original socket hole with the socket cover provided.

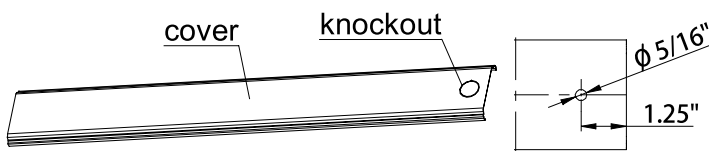


4. Mounting the Retrofit Kit LED driver in the original ballast housing with the drill point screws (ST3.5xL9.5) provided in accessory bag. Please fix the LED driver closed to the AC Input End.

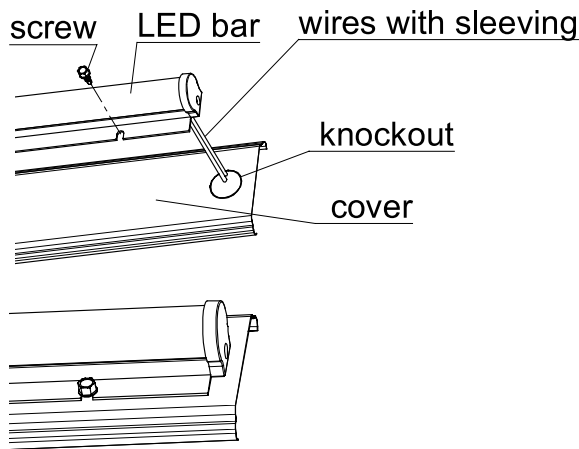
5. Block up the original ballast mounting holes with the screws from step 2.1 or 3.1.



6. If there is knockout in the driver housing cover, please open it. Otherwise, please drill a 5/16" hole as below picture.



7. Attach LED bar to the driver housing cover with the drill point screws (ST4.2xL13) which provided in accessory bag. The End with wires should be toward to the knockout (5/16" hole) and wires go through the knockout (5/16" hole). Please note that the LED bar should be in the center of driver compartment cover horizontally and vertically. The mounting holes of LED Bar are shown as the last dimension drawing.

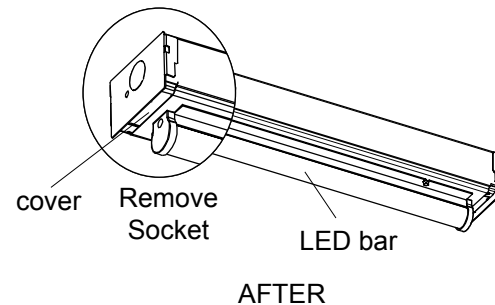
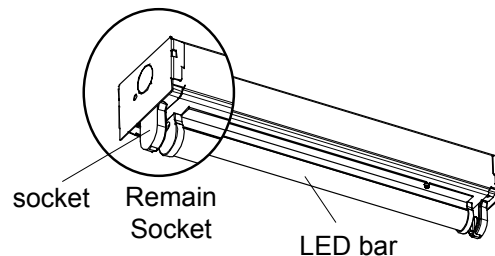
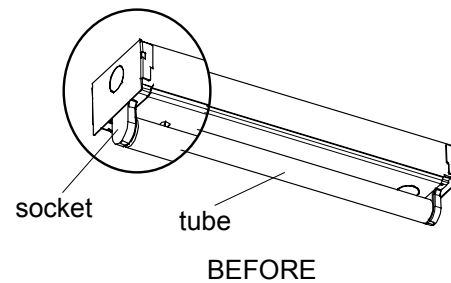


8. Connect wires as above diagram and check if any other holes are uncovered.

To prevent wiring damage or abrasion, wiring are routed loose and not exposed to edges of sheet metal, screw points, or other sharp objects.

Only those open holes indicated in the pictures and/or drawings may be made or altered as a result of kit installation. Do not leave any other open holes in an enclosure of wiring or electrical components.

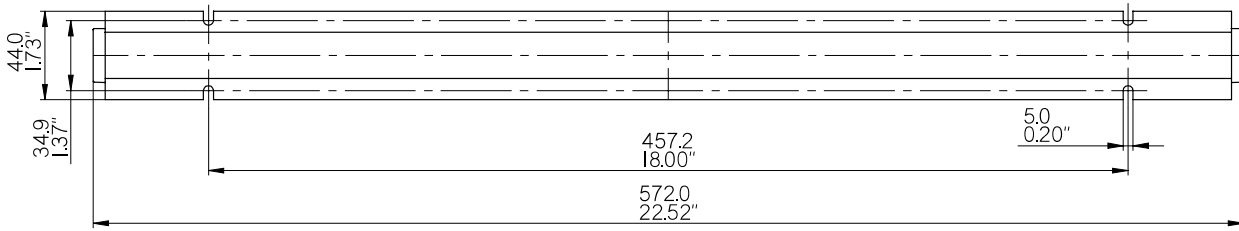
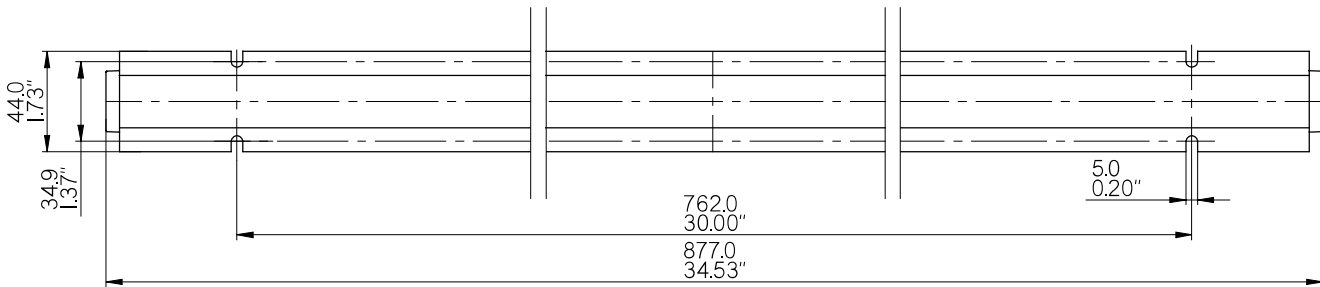
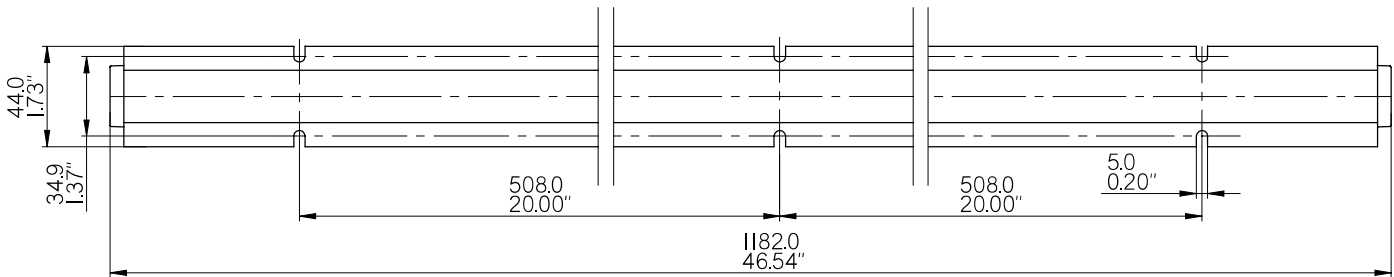
9. Restore the driver housing cover. Please refer to below picture to see the appearance of before and after.



10. Ensure the warning label on the The surface of the kit is readily visible by the user during normal maintenance including re-lamping.

The label content is "This luminaire has been modified to operate LED lamps. Do not attempt to install or operate fluorescent lamps in this luminaire."



DIMENSION DRAWING

2 FT

3 FT

4 FT