

**SUITABLE FOR MODEL**



**SAFETY INSTRUCTION** 

**READ CAREFULLY BEFORE INSTALLING FIXTURE. PLEASE KEEP THIS MANUAL FOR FUTURE USE.**

Fixtures must be wired in accordance with the National Electrical Code and all applicable local codes. Proper grounding is required for safety.

**THIS PRODUCT MUST BE INSTALLED IN ACCORDANCE WITH THE APPLICATION CODE BY A PERSON FAMILIAR WITH THE CONSTRUCTION AND OPERATION OF THE PRODUCT AND THE HAZARDS INVOLVED.**

**MAKE CERTAIN POWER IS OFF BEFORE INSTALLING OR MAINTAINING FIXTURE. CHECK THAT VOLTAGE IS COMPATIBLE WITH FIXTURE DRIVER. USE APPROVED CONNECTORS FOR ALL ELECTRICAL CONNECTIONS.**

**MAINTENANCE CAUTION** 

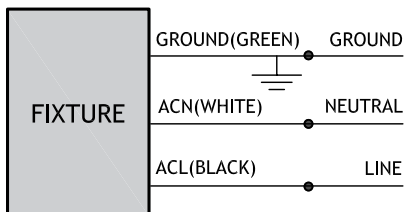
1. Review the wire connection before beginning, and make sure fixture is grounded properly.
2. For lighting controls, follow control instructions carefully.
3. Turn power off and wait for fixture to cool before performing maintenance.
4. Maintenance must be done by professionals.

**WIRE CONNECTION**

Universal Voltage permits operation at 120VAC thru 277VAC or 347VAC or 480VAC, 50 or 60 Hz.

Make the following Electrical Connection:

- a) Connect the voltage supply line to ACL.
- b) Connect the voltage supply Neutral to ACN.
- c) Connect ground lead to the supply ground lead.



**INSTALLATION**

**ACCESSORY PACK**



**INSTALLATION STEPS**

1. Loosen the Screws and open the Driver Box (four screws for 26W and 38W, and six screws for 52W, 80W, 100W). See Figure 1.
2. Mount to recessed outlet box or wall.
  - a. **Mount to recessed outlet box**  
Remove the Bottom Knockout Plug and drill appropriate Mounting Holes. Attach the Driver Box to a Recessed Outlet Box (not supplied) with Hardwares (not supplied). See Figure 1 and 2.
  - b. **Mount to wall**  
Remove a Side Knockout Plug and drill appropriate Mounting Holes. Attach the Driver Box to a Wall with Hardwares (not supplied). See Figure 1 and 2.
3. Feed supply wires through Driver Box. Make wiring connections per wiring diagram.
4. Tighten loosened four or six Screws and close Driver Box. Make sure Driver Box Gasket and all these Screws are aligned and secured firmly, otherwise, it may cause water leakage.
5. Adjust appropriate angle. See Figure 3.
6. If fixture is with Button Photocell, pull up it. See Figure 3.

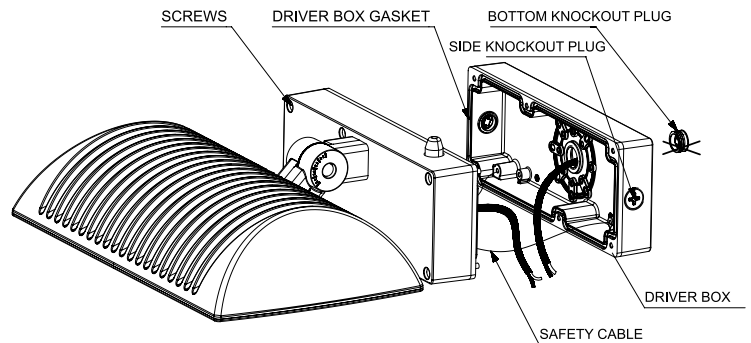


Figure 1

**MOUNTING HOLES DRILL PATTERN**

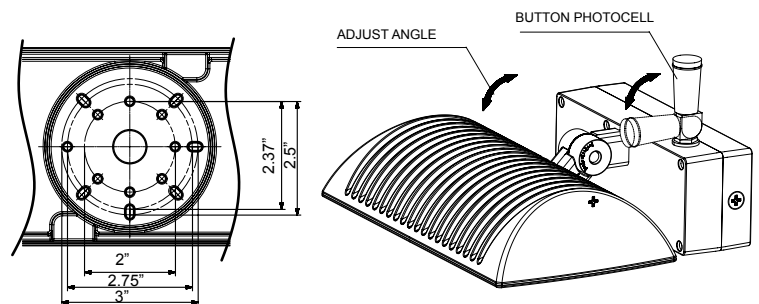


Figure 2

Figure 3