

**SUITABLE FOR MODEL**



**SAFETY INSTRUCTION**



**READ CAREFULLY BEFORE INSTALLING FIXTURE. PLEASE KEEP THIS MANUAL FOR FUTURE USE.**

Fixtures must be wired in accordance with the National Electrical Code and all applicable local codes. Proper grounding is required for safety.

**THIS PRODUCT MUST BE INSTALLED IN ACCORDANCE WITH THE APPLICATION CODE BY A PERSON FAMILIAR WITH THE CONSTRUCTION AND OPERATION OF THE PRODUCT AND THE HAZARDS INVOLVED. MAKE CERTAIN POWER IS OFF BEFORE INSTALLING OR MAINTAINING FIXTURE.**

**CHECK THAT VOLTAGE IS COMPATIBLE WITH FIXTURE DRIVER. USE APPROVED CONNECTORS FOR ALL ELECTRICAL CONNECTIONS.**

**MAINTENANCE CAUTION**



1. Review the wire connection before beginning, and make sure fixture is grounded properly.
2. For lighting controls, follow control instructions carefully.
3. Turn power off and wait for fixture to cool before performing maintenance.
4. Maintenance must be done by professionals.

**WIRE CONNECTION**

**Universal voltage driver permits operation at 120VAC thru 277VAC or 347VAC OR 480VAC, 50 or 60 Hz.**

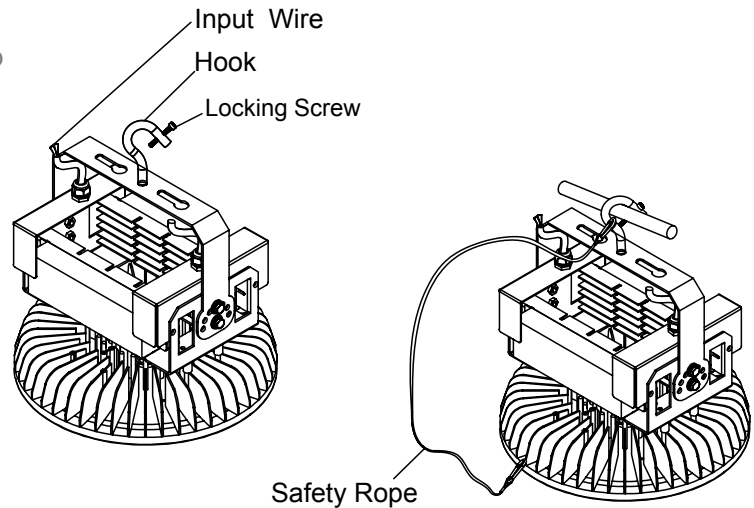
1. Connect the black fixture lead to the LINE supply lead.
2. Connect the White fixture lead to the COMMON supply lead.
3. Connect the GROUND wire from fixture to supply ground.

<b>FIXTURE</b>	GREEN	GROUND
	WHITE	ACN
	BLACK	ACL

## INSTALLATION

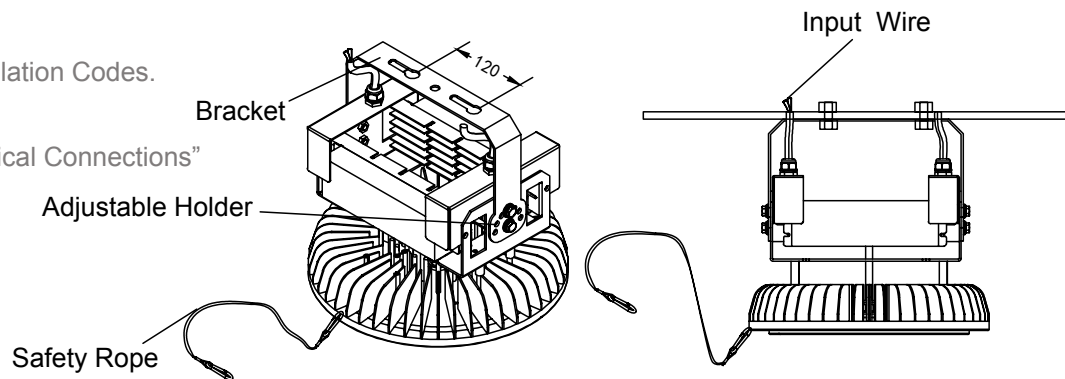
### 1) CEILING WITH HOOK

1. Attach the hook with customer supplied rope or loop from the place where need to be mounted.
2. Bottom out the locking screw on the hook.
3. Safety rope are required by installation Codes. Attach the supplied support wire.
4. Make wire connection per "Electrical Connections"



### 2) WALL MOUNTING

1. Drill installation holes as the size of right figure.
2. Use customer supplied screws to tighten the luminaire. The holder can be adjusted from 60 degree to 120 degree.
3. Safety rope are required by installation Codes. Attach the supplied support wire.
4. Make wire connection per "Electrical Connections"



### 3) PENDANT MOUNTING

1. Feed the customer supplied pendant stem through 3/4" pendant bar.
2. Tighten the pendant stem with anti-skid screw.
3. Safety rope are required by installation Codes. Attach the supplied support wire.
4. Make wire connection per "Electrical Connections"

