

SUITABLE FOR MODEL



IMAGE MAY VARY FROM ACTUAL PRODUCT

SAFETY INSTRUCTION

READ CAREFULLY BEFORE INSTALLING FIXTURE. PLEASE KEEP THIS MANUAL FOR FUTURE USE.
Fixtures must be wired in accordance with the National Electrical Code and all applicable local codes. Proper grounding is required for safety.

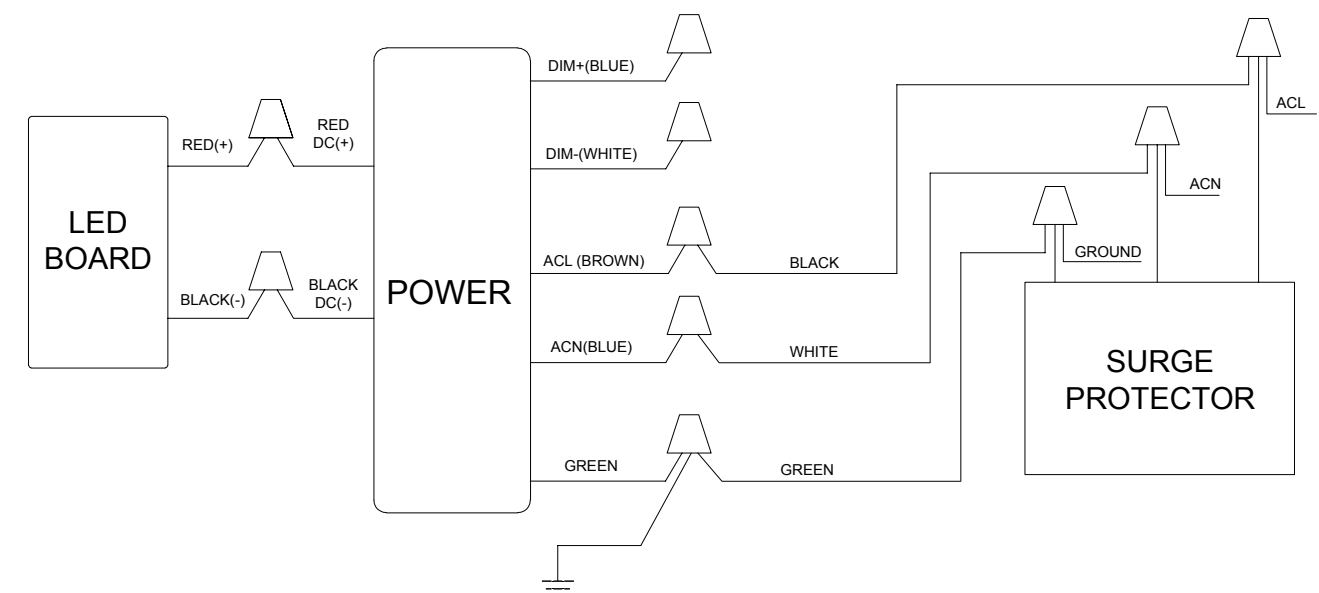
THIS PRODUCT MUST BE INSTALLED IN ACCORDANCE WITH THE APPLICATION CODE BY A PERSON FAMILIAR WITH THE CONSTRUCTION AND OPERATION OF THE PRODUCT AND THE HAZARDS INVOLVED. MAKE CERTAIN POWER IS OFF BEFORE INSTALLING OR MAINTAINING FIXTURE. CHECK THAT VOLTAGE IS COMPATIBLE WITH FIXTURE DRIVER, USE APPROVED CONNECTORS FOR ALL ELECTRICAL CONNECTIONS.

Maintenance Caution

1. Review the diagrams before beginning, and make sure fixture is grounded properly.
2. For lighting controls, using functioning correctly.
3. Turn power off and wait for fixture cooling to operate.
4. Maintenance must be done by professionals.

WIRE CONNECTION

80W/120W/160W 120-277V



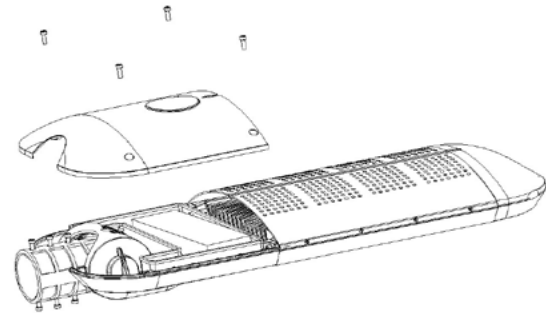
PREPARATION

Step 1

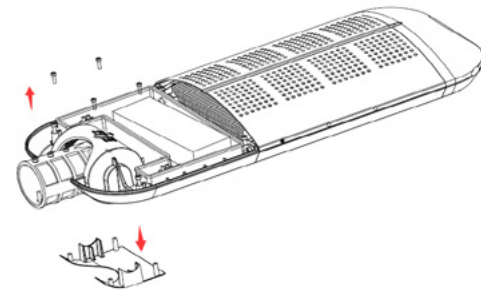
Open the outer packing, remove the packing materials on the luminaire body, take out the luminaire.

Step 2

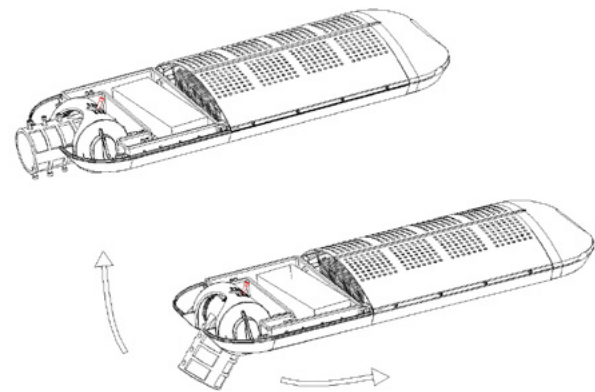
1. Using allen driver to loose the screws (M5 Inward hexagonal) on the back side of the driver box, take off the back cover of driver box.



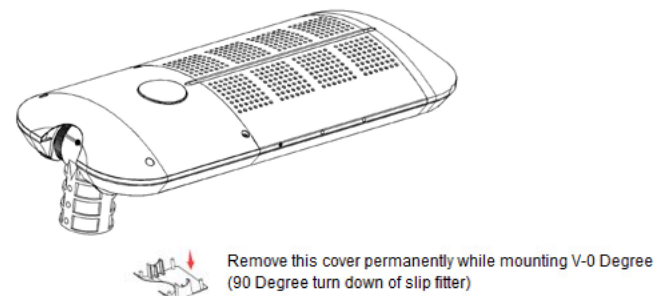
2. Use a screwdriver to remove the four pieces M3 screws which fixed the small cover, remove the small cover.



3. Use an Hexagon screwdriver to loosen the screw that tightens the swivel joint. Adjust the rotating joint to required angle.



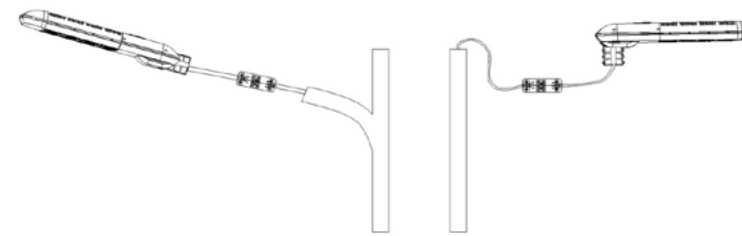
4. Re-fastening the swivel and the back cover of driver box. Remove front cover permanently while mounting on V-0 degree (90 Degree turn down of slip fitter).



INSTALLATION

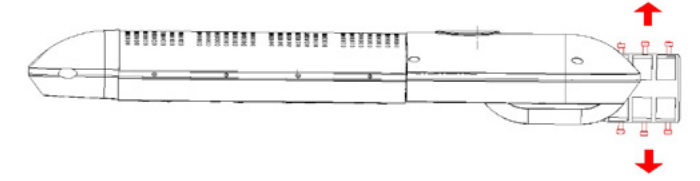
Step 1: Connect the cable

Connect the L, N, GND cables on the luminaire corresponding L, N, GND on the poles. Splice the branch circuit power leads to the fixture power leads, black to black (hot), white to white (neutral), green to green (ground).



Step 2: Start installation of the luminaire

Adjust the 6 screws on swivel to the size of tenon/arm where the luminaire to be mount with.



Step 3: Fix the luminaire

Install the luminaire to the pole, adjust it to be of horizontal level. Fasten the 6 screws on the swivel.

