

**SUITABLE FOR MODEL**



**SAFETY INSTRUCTION**



**READ CAREFULLY BEFORE INSTALLING FIXTURE. PLEASE KEEP THIS MANUAL FOR FUTURE USE.**

Fixtures must be wired in accordance with the National Electrical Code and all applicable local codes. Proper grounding is required for safety.

**THIS PRODUCT MUST BE INSTALLED IN ACCORDANCE WITH THE APPLICATION CODE BY A PERSON FAMILIAR WITH THE CONSTRUCTION AND OPERATION OF THE PRODUCT AND THE HAZARDS INVOLVED.**

**MAKE CERTAIN POWER IS OFF BEFORE INSTALLING OR MAINTAINING FIXTURE.**

**CHECK THAT VOLTAGE IS COMPATIBLE WITH FIXTURE DRIVER. USE APPROVED CONNECTORS FOR ALL ELECTRICAL CONNECTIONS.**

**MAINTENANCE CAUTION**



1. Review the wire connection before beginning, and make sure fixture is grounded properly.
2. For lighting controls, follow control instructions carefully.
3. Turn power off and wait for fixture to cool before performing maintenance.
4. Maintenance must be done by professionals.

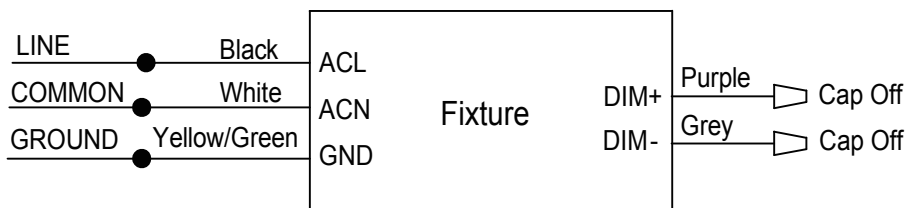
**WIRE CONNECTION**

Universal Voltage permits operation at 120VAC thru 347VAC, 50 or 60 Hz.

Make the following Electrical Connection:

- a). Connect the voltage supply line to ACL in Black.
- b). Connect the voltage supply Neutral to ACN in White.
- c). Connect Green ground lead to the supply ground lead.

**120-347V**



## INSTALLATION

### WARNING

**Risk of injury or damage. Make certain power is OFF before installing or maintaining fixture.**

### ACCESSORY PACK



WIRE NUT x 3

### INSTALLATION STEPS

1. Remove the Screw (2) at the side of fixture and separate the Quick Connectors to take off the Fixture Base. See figure 1 and 3.
2. Remove knockout plug on the back of the fixture. Drill appropriate points and fasten the Fixture Base on the wall using appropriate hardware (not included). Make sure the supplied Waterproof Pad is mounted between the Fixture Base and the wall. See figure 2.
3. Make wire connection according to wiring diagram.
4. Seal with weatherproof silicone sealant to prevent moisture from entering the fixture. Replace front housing, connect the Quick Connectors. All wires and terminals need to be pushed into fixture and no wires get pinched. See figure 3.
5. Fasten the front housing to the Fixture Base with the removed screws. See figure 4.

### WATTAGE AND CCT SETTING

By selecting the combination on the DIP switches, wattages and CCT can be set as required. See figure 3.

Wattage Default Setting: 60W and 100W.

CCT Default Setting: 4000K

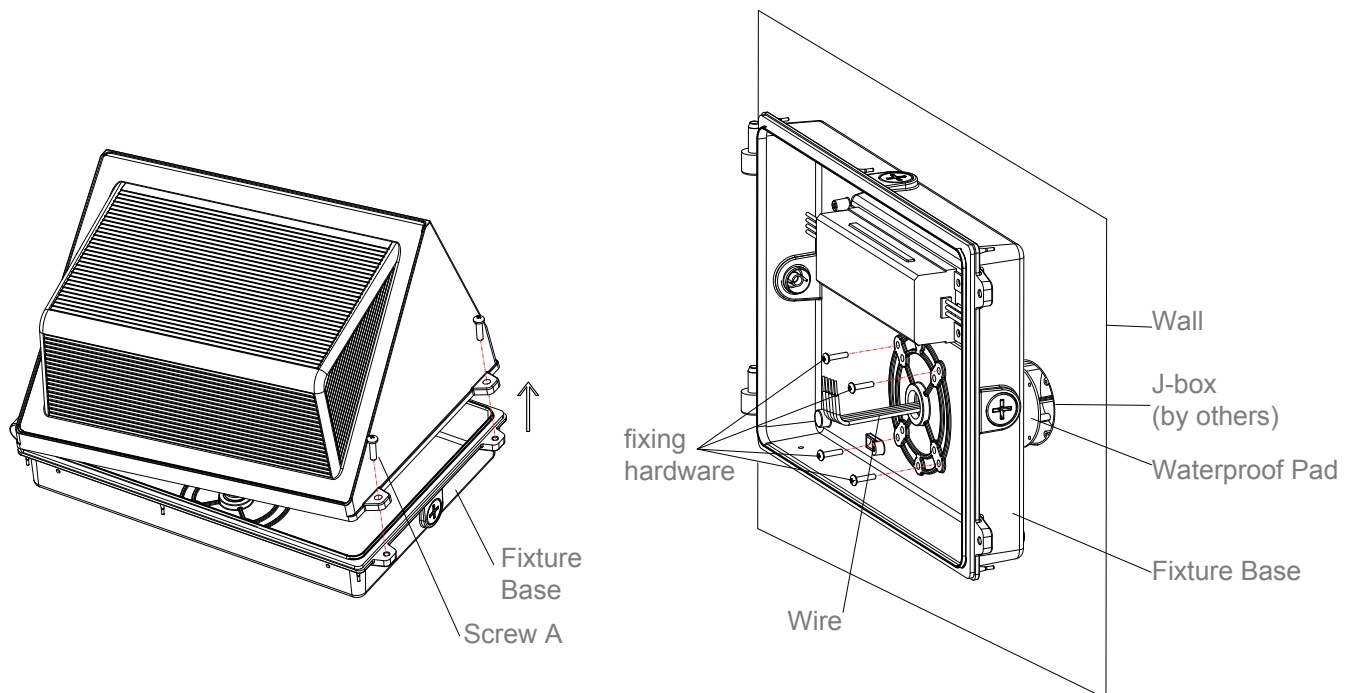
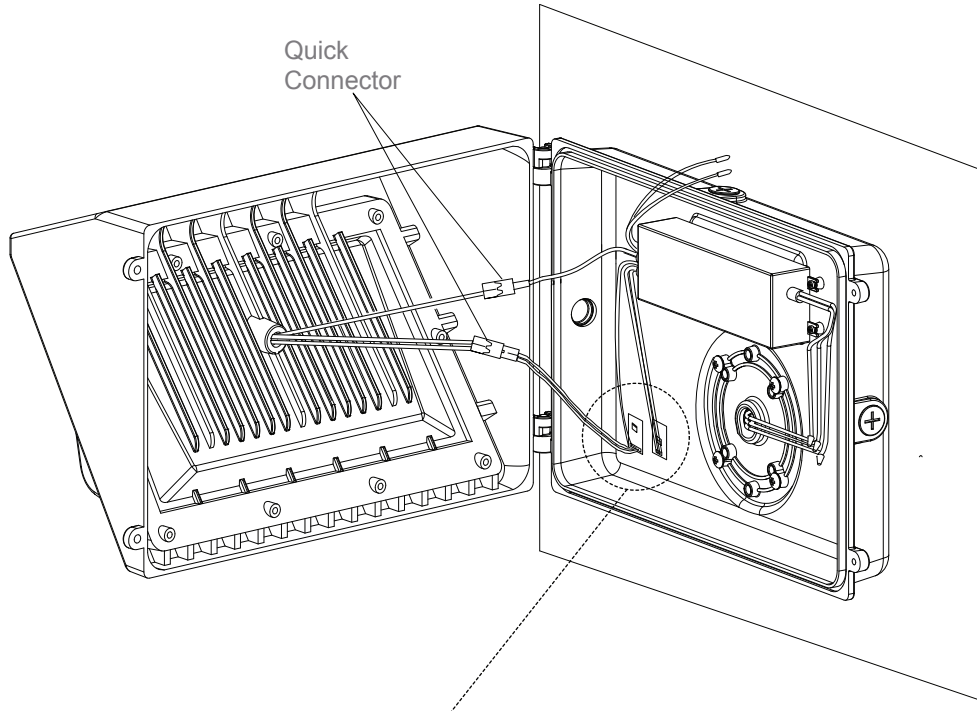


Figure 1

Figure 2



Wattage Setting							
	100W	90W	80W	70W	60W	40W	28W
Note: 60W and 100W are default setting. Please do not turn on multiple wattage switches at the same time.							
CCT Setting							
	3000K	4000K	5000K	Note: 4000K is default setting.			

Figure 3

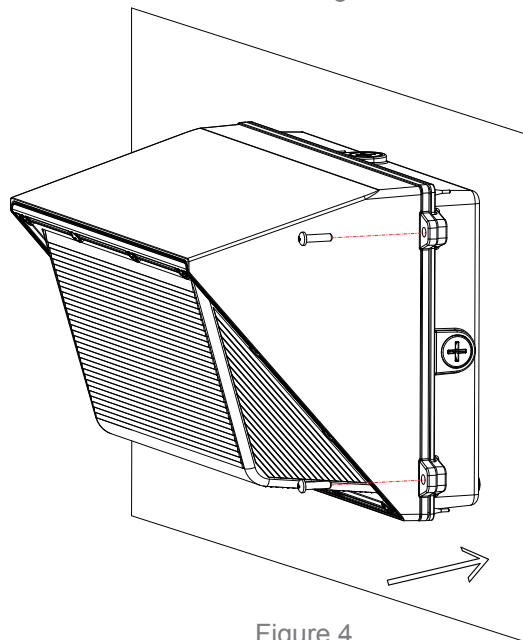


Figure 4