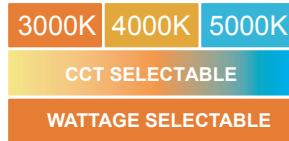




SELECTABLE CLASSIC LED WALL PACK



PRODUCT DESCRIPTION

The Selectable Classic LED Wall Pack offers a traditional appearance and is powered by advanced LEDs, featured by wattage and CCT selectable. The Selectable Classic LED Wall Pack is powerful yet energy efficient, with lumen output from 4000lm to 14,000lm, capable of replacing a 400W metal halide luminaire easily. The Selectable Classic LED Wall Pack not only is suitable for entryway / pathway lighting with 8'-15' mounting heights but also suitable for area / perimeter lighting up to 25' mounting heights.

FEATURES

- High efficiency up to 153LPW
- Wattage selectable
- 3000K, 4000K and 5000K selectable
- Lumen output range from 4000lm to 14,000lm
- Wide voltage 120-347V
- Tempered glass lens

ELECTRICAL SYSTEM

- Input voltage: 120-347V
- 50/60Hz
- Power Factor: >0.9
- Total Harmonic Distortion: <20% at full load
- Working Temperature: -40 - 104°F (-40 - 40°C)

PERFORMANCE

CRI

70

CCT

3000K, 4000K, 5000K selectable

Dimming

0-10V Dimming Standard

Projected Lifetime

L70 -100,000 Hours

Working Temperature

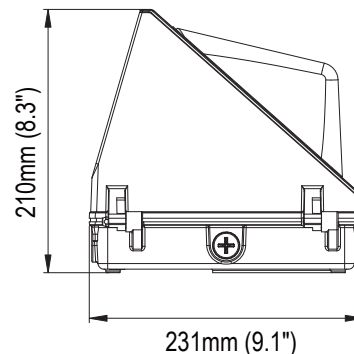
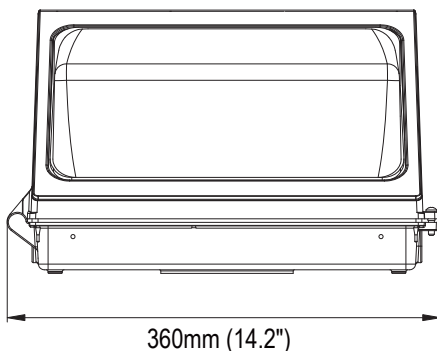
-40 - 104°F (-40 - 40°C)

Certifications

- cUL listed
- Suitable for wet locations
- RoHs compliant

DIMENSION

Net. Weight: 8.82 lbs



Ordering Information

Example: SCWP-SPS-SW8

Name	Watts	CCT	Voltage	Control	Finish
SCWP	SPS - Selectable Power 28W/40W/60W ¹	SW - Selectable White 3000K/4000K/5000K ²	8 -120-347V	Blank - None	Blank - Bronze
	SPL - Selectable Power 70W/80W/90W/100W ¹				

Notice:

- 60W and 100W are default setting, If need other wattage, please contact Customer Service in advance to change the setting in factory or change the setting in the field
- 4000K is default setting. If need other CCT please contact Customer Service in advance to change the setting in factory or change the setting in the field.

* Bronze finish is standard. Custom color is available for a premium setup fee. Consult customer service for additional information.

Accessories



SCWP-WG
Wire Guard



SCWP-BP
Beauty Plate

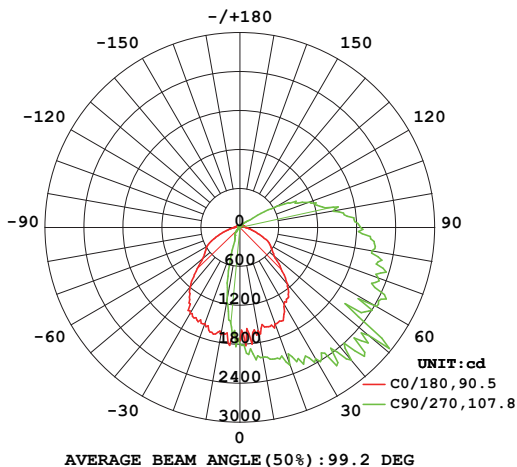


SCWP-GS
Glare Shield

PHOTOMETRY

(90°)

All published luminaire photo metric testing performed to IESNA LM-79-08 standards by a NVLAP certified laboratory.



60W

PERFORMANCE DATA

LUMEN OUTPUT

Lumen values are measured by third party certified laboratories performed in accordance with IESNA LM-79-08 as well as Lighting Facts listed.

Nominal Watts	Tested Watts	Lumen Output	AC Input 120V	CCT	CRI	LPW
28W	27.4W	4190	0.23A	4000K	>70	153
40W	38W	5700	0.33A	4000K	>70	150
60W	56W	7950	0.49A	4000K	>70	142
70W	71W	10790	0.58A	4000K	>70	152
80W	80.7W	12000	0.67A	4000K	>70	149
90W	90.6W	13230	0.75A	4000K	>70	146
100W	98.5W	14190	0.83A	4000K	>70	144

Lumen Ambient Temperature (LAT) Multipliers

Use these factors to determine relative lumen output for average ambient temperature from -40-104°F (-40-40°C)

Ambient		Multiplier
Celsius	Fahrenheit	
0	32	1.02
10	50	1.01
20	68	1.00
25	77	1.00
30	86	1.00
40	104	0.99



With Wire Guard



With Beauty Plate



With Glare Shield



Wattage selectable



CCT selectable

WARRANTY

Five year limited warranty.

Note: Specifications subject to change without notice.