

WARRANTY

LIMITED FIVE-YEAR WARRANTY. Should this product fail to perform satisfactorily due to a defect or poor workmanship within five years from the date of purchase, return it to the place of purchase and it will be replaced, free of charge. Incidental or consequential damages are excluded from the warranty.

Ref#: 10249-21104

SUITABLE FOR MODEL



IMAGE MAY VARY FROM ACTUAL PRODUCT

SAFETY INSTRUCTION

READ CAREFULLY BEFORE INSTALLING FIXTURE. PLEASE KEEP THIS MANUAL FOR FUTURE USING. Fixtures must be wired in accordance with the National Electrical Code and all applicable local codes. Proper grounding is required for safety.

THIS PRODUCT MUST BE INSTALLED IN ACCORDANCE WITH THE APPLICATION CODE BY A PERSON FAMILIAR WITH THE CONSTRUCTION AND OPERATION OF THE PRODUCT AND THE HAZARDS INVOLVED. MAKE CERTAIN POWER OFF BEFORE INSTALLING OR MAINTAINING FIXTURE.

CHECK THAT VOLTAGE IS COMPATIBLE WITH FIXTURE DRIVER, USE APPROVED CONNECTORS FOR ALL ELECTRICAL CONNECTIONS.

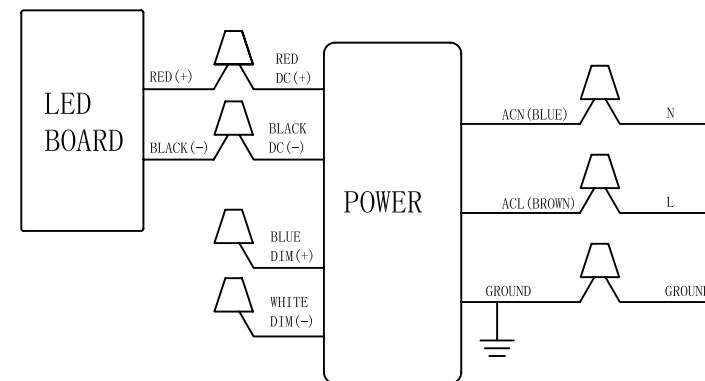
THE DISTANCE BETWEEN CEILING AND FIXTURE IS 39.3" (1M) AT LEAST. AVERAGE AMBIENT TEMPERATURE IS FROM -4-104°F (-20-40°C).

MAINTENANCE CAUTION

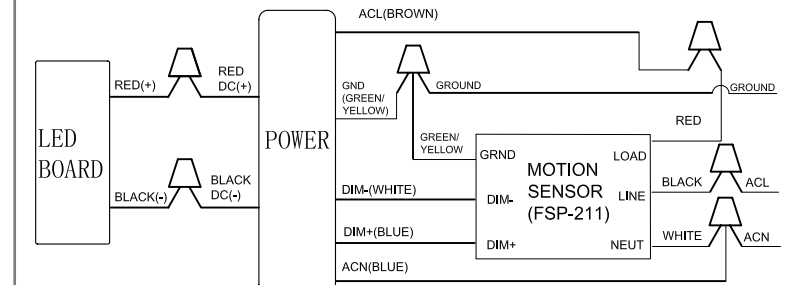
1. Review the wire connection before beginning, and make sure fixture is grounded properly.
2. For lighting controls, using functioning correctly.
3. Turn power off and wait for fixture cooling to operate.
4. Maintenance must be done by professionals.

WIRE CONNECTION

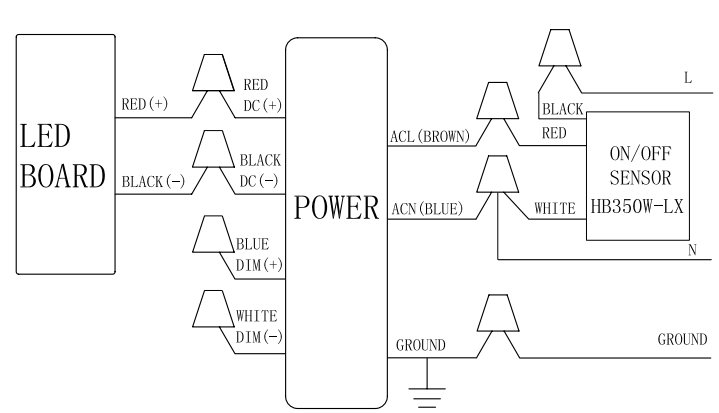
1). Linear High Bay with 0-10V dimming(For both 120V-277V and 347V/480V options)



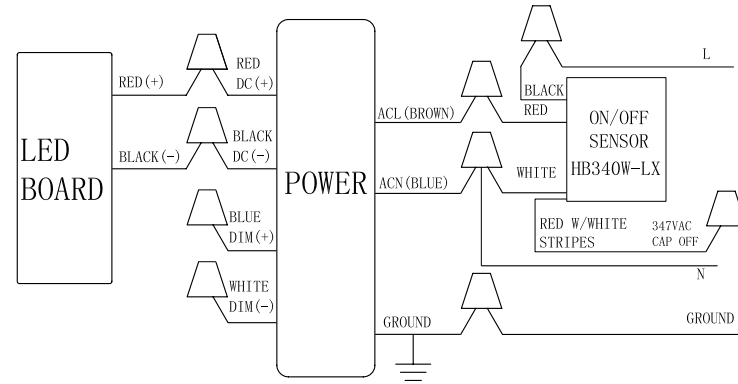
2). Universal voltage driver permits operation at 120V thru 277V, 50/60Hz with dimming motion sensor(-MS)



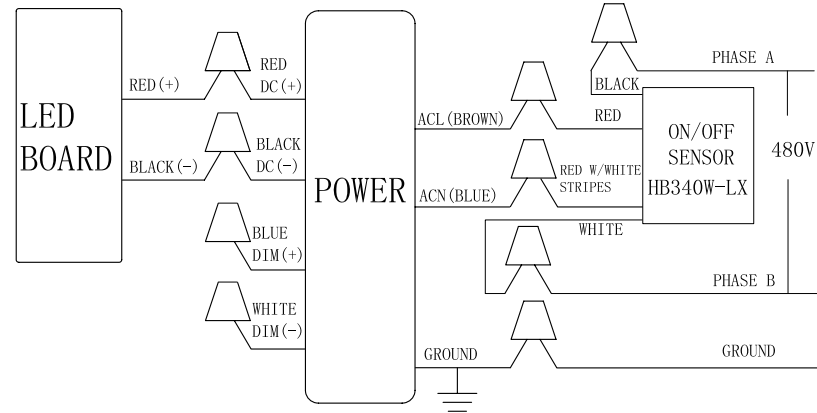
3). Universal voltage driver permits operation at 120V thru 277V, 60Hz with on/off motion sensor(-MSO)



4). High voltage driver permits operation at 347V, 60Hz with on/off motion sensor(-MSO)



5). High voltage driver permits operation at 480V, 60Hz with on/off motion sensor(-MSO)



1). With Motion Sensor (MS) Option



Specifications

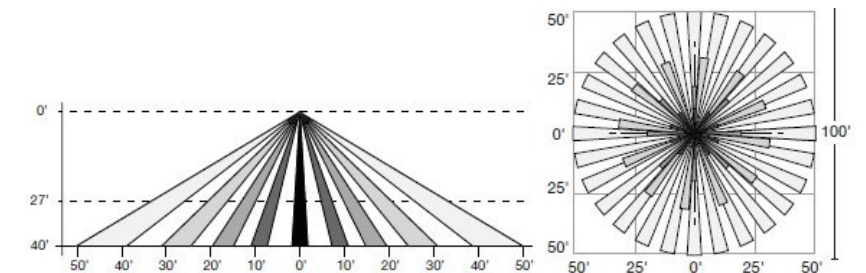
- Factory setting

| | |
|-------------------|-----------|
| High Mode | 10 Volts |
| Low Mode | 5.0 Volts |
| Time Delay | 2 min |
| Cut Off | 5 min |
| Sensitivity | High |
| Setpoint | Dis |
| Ramp Up | Dis |
| Fade Down | 5 sec |
| Photocell | Dis |

In this configuration the luminaire dim to low mode with a 5-second fade down after 2 minutes elapse with no motion detection. After 5 minutes, the luminaire will turn off. When motion is detected, the luminaire will switch to high mode. The luminaire will not be affected by the ambient light level.

- For other settings, please refer to "Programmable Multi-Level Motion Sensor Instruction Manual" on our website

Side and Top Coverage Patterns

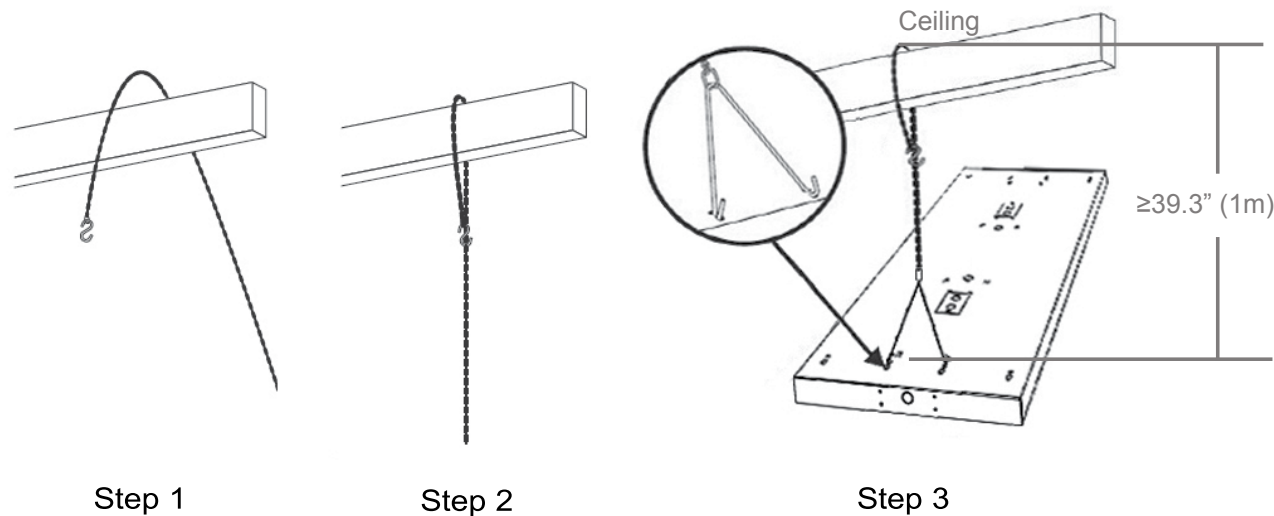


360° lens, maximum coverage 100' diameter from 40' height

INSTALLATION

Installation: Using Standard hanging V-Clips and chain

1. Loop the **chain** around the ceiling or service attachment point.
2. Use an **S** or **similar connector** to close the loop.
3. Slide the other end of the **chain** through the **V-Clip** provided with the fixture. Install the **V-Clip** into the **two slots** shown above to support the fixture. The distance between ceiling and fixture is 39.3" (1m) at least.



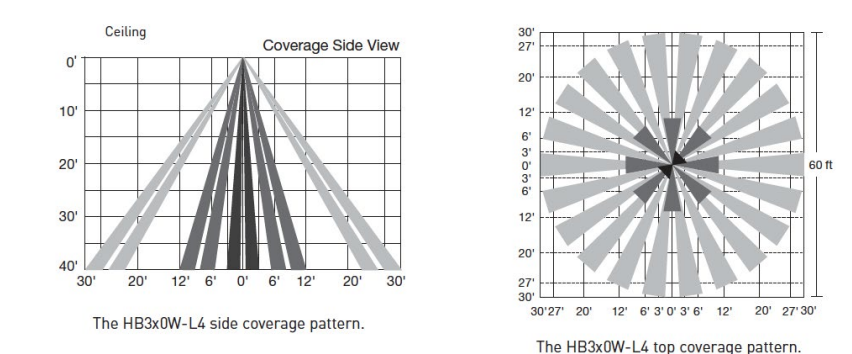
2). With On/Off Motion Sensor(MSO)Option



Specifications

- Factory preset 15-minute time delay
- IP65 rated
- For other adjustments, please refer to "On/Off Motion Sensor Instruction Manual" on our website

Side and Top Coverage Patterns



Wet location 360° lens, 60' diameter coverage from 40' height