

SUITABLE FOR MODEL



IMAGE MAY VARY FROM ACTUAL PRODUCT

SAFETY INSTRUCTION

READ CAREFULLY BEFORE INSTALLING FIXTURE. PLEASE KEEP THIS MANUAL FOR FUTURE USING.

Fixtures must be wired in accordance with the National Electrical Code and all applicable local codes. Proper grounding is required for safety.

THIS PRODUCT MUST BE INSTALLED IN ACCORDANCE WITH THE APPLICATION CODE BY A PERSON FAMILIAR WITH THE CONSTRUCTION AND OPERATION OF THE PRODUCT AND THE HAZARDS INVOLVED. MAKE CERTAIN POWER OFF BEFORE INSTALLING OR MAINTAINING FIXTURE.

CHECK THAT VOLTAGE IS COMPATIBLE WITH FIXTURE DRIVER, USE APPROVED CONNECTORS FOR ALL ELECTRICAL CONNECTIONS.

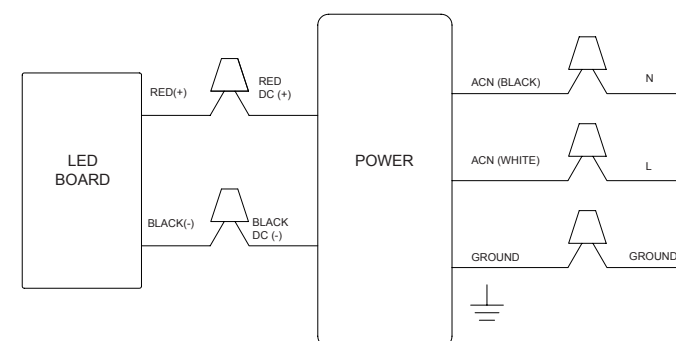
MAINTENANCE CAUTION

1. Review the wire connection before beginning, and make sure fixture is grounded properly.
2. For lighting controls, using functioning correctly.
3. Turn power off and wait for fixture cooling to operate.
4. Maintenance must be done by professionals.

WIRE CONNECTION

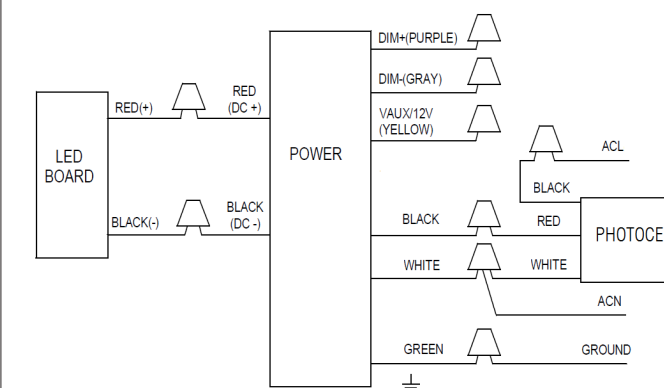
FOR 26W V-LINE WALL PACK

Universal voltage driver permits operation at 120V or 277V, 50/60Hz



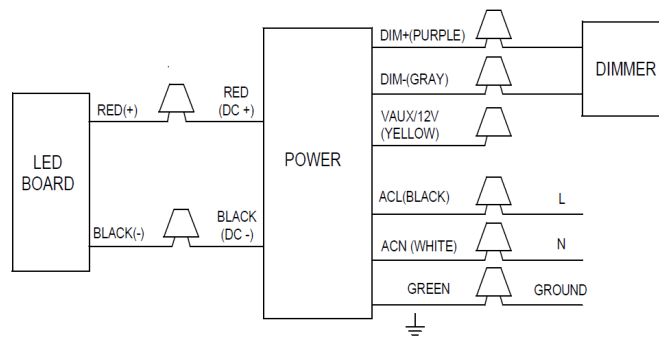
FOR 38W & 52W V-LINE WALL PACK WITH PHOTOCELL

Universal voltage driver permits operation at 120V or 277V, 50/60Hz



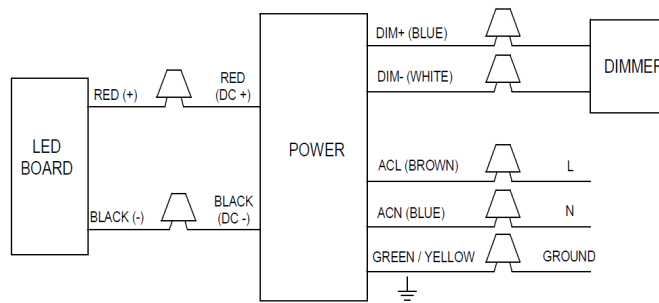
FOR 38W & 52W V-LINE WALL PACK WITH 0-10V DIMMER

Universal voltage driver permits operation at 120V or 277V, 50/60Hz



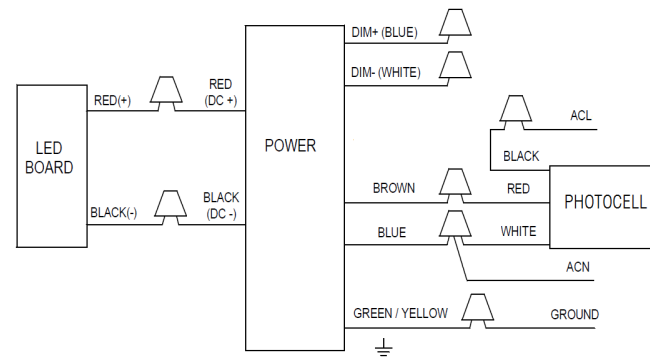
FOR 80W & 100W V-LINE WALL PACK WITH 0-10V DIMMER

Universal voltage driver permits operation at 120V or 277V, 50/60Hz



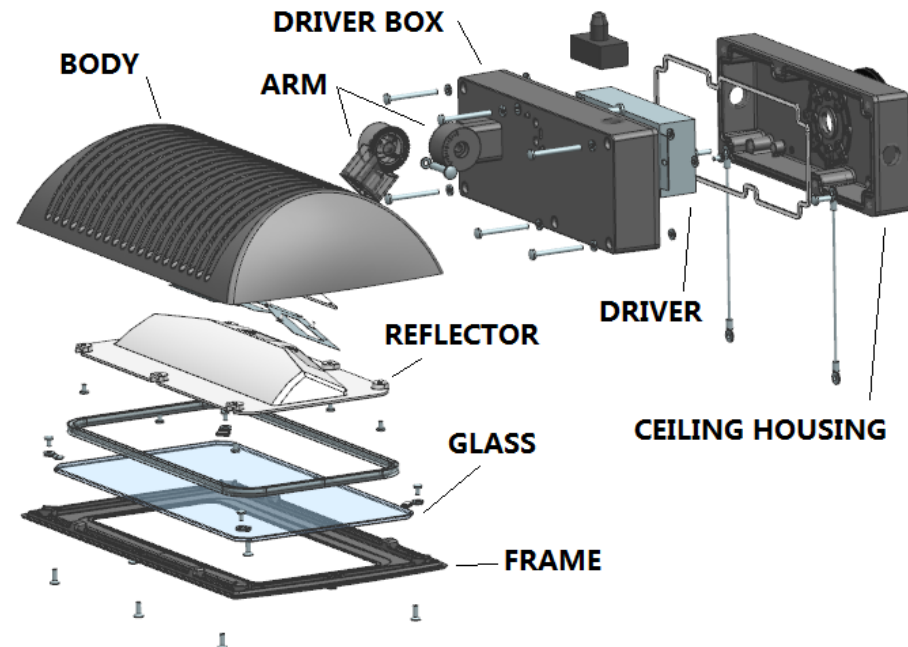
FOR 80W & 100W V-LINE WALL PACK WITH PHOTOCELL

Universal voltage driver permits operation at 120V or 277V, 50/60Hz



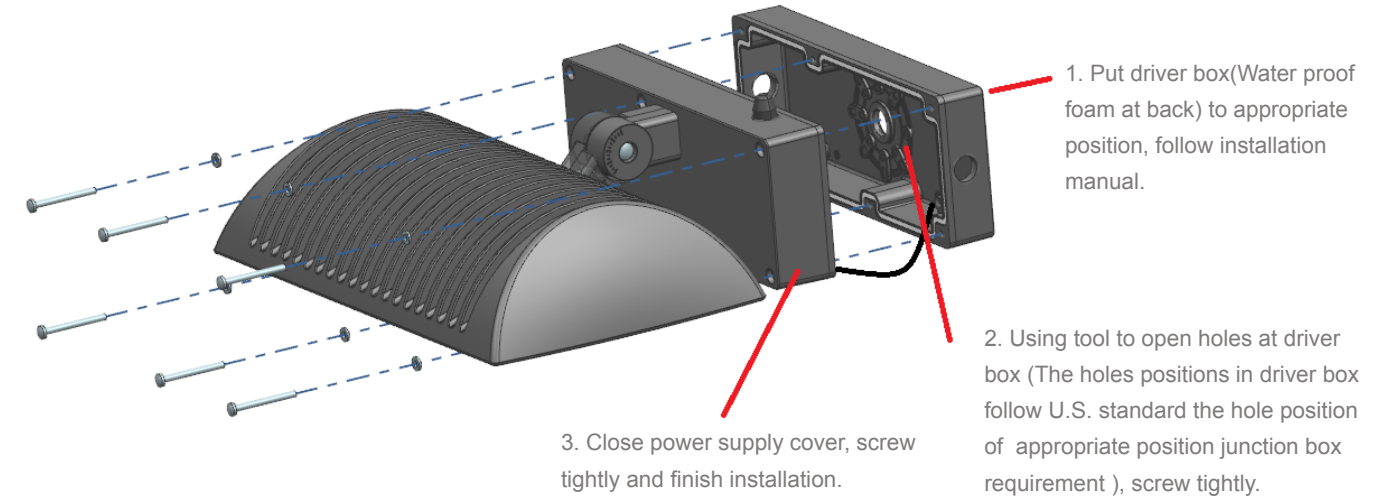
INSTALLATION

EXPLODED DRAWING



INSTALLATION

1. Put driver box(Water proof foam at back) to appropriate position, follow installation manual.
2. Using tool to open holes at driver box (The holes positions in driver box follow U.S. standard the hole position of appropriate position junction box requirement), screw tightly.
3. Close power supply cover, screw tightly and finish installation.



WARRANTY

LIMITED FIVE-YEAR WARRANTY. Should this product fail to perform satisfactorily due to a defect or poor workmanship within five years from the date of purchase, return it to the place of purchase and it will be replaced, free of charge. Incidental or consequential damages are excluded from the warranty.