

## INSTALLATION

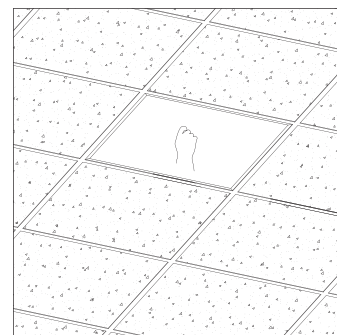
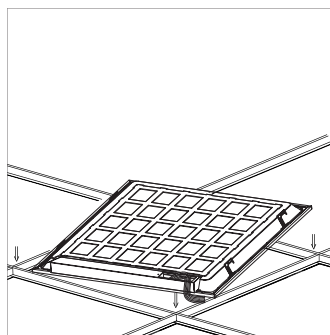
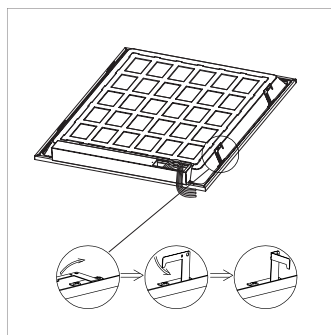
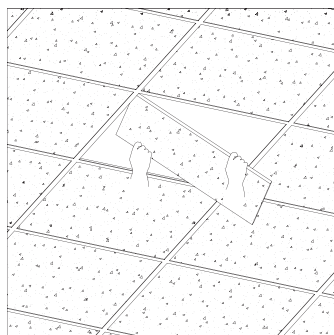
### RECESSED MOUNT

1. Please check the fitting bag with components list.
2. Comparing with the specifications in the table, judging if the ceiling is meeting the installation requirement for recessed installation.

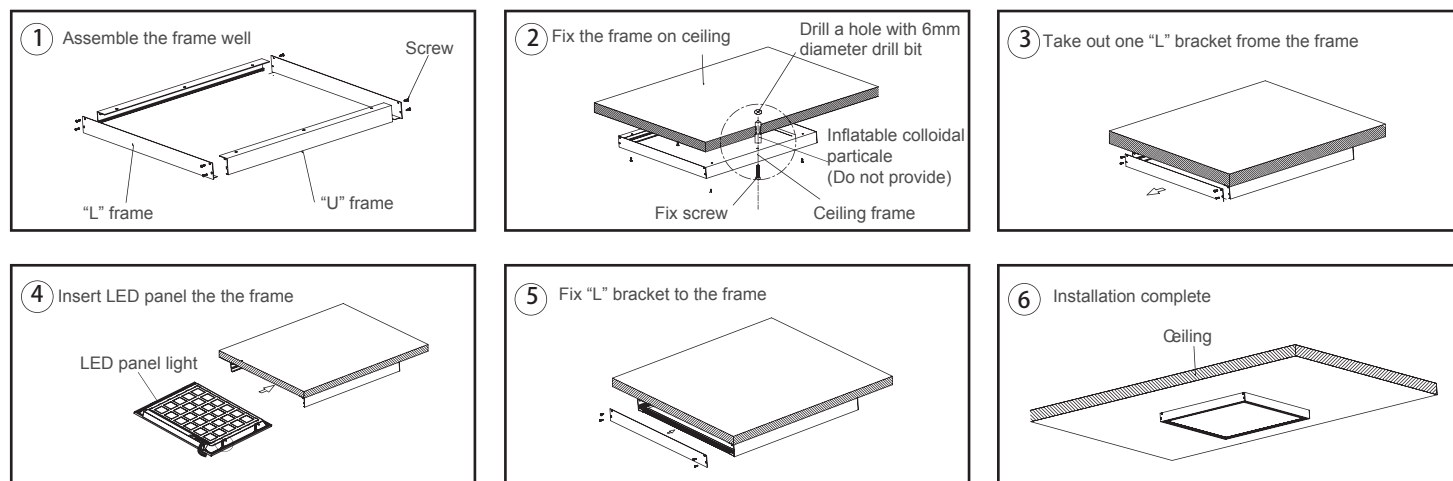
SPEC	Size/inch	N. W. / Kg
1x4	47.76(L)*11.85(W)±0.5	4.85
2x2	23.74(L)*23.74(W)±0.5	4.85
2x4	47.76(L)*23.74(W)±0.5	9.57

! Please confirm the dimensions of the ceiling channel and the lamp is matching.  
! Please confirm load-bearing is enough to support the lamp.

3. Take the ceiling panel down.
4. Lift up four mounting clips on the sides of the luminaire. You can do it by hand (Do wear work gloves) or use pliers.
5. Insert luminaire into T-bar ceiling grid. Secure safety cable to connection hole as needed to meet local seismic requirements. Safety cable and method of attachment to the building provided by contractor according to local building codes.
6. Please check if the lamp have been fixed in the ceiling channel.



### SURFACE MOUNT



! Please make sure the frame is assembled well before fixed on ceiling.

\*\* The surface mount kits need to be bought separately.

Ref#: 20200310

## SUITABLE FOR MODEL



### SAFETY INSTRUCTION



**READ CAREFULLY BEFORE INSTALLING FIXTURE. PLEASE KEEP THIS MANUAL FOR FUTURE USING.**  
Fixtures must be wired in accordance with the National Electrical Code and all applicable local codes. Proper grounding is required for safety.  
**THIS PRODUCT MUST BE INSTALLED IN ACCORDANCE WITH THE APPLICATION CODE BY A PERSON FAMILIAR WITH THE CONSTRUCTION AND OPERATION OF THE PRODUCT AND THE HAZARDS INVOLVED. MAKE CERTAIN POWER OFF BEFORE INSTALLING OR MAINTAINING FIXTURE. CHECK THAT VOLTAGE IS COMPATIBLE WITH FIXTURE DRIVER, USE APPROVED CONNECTORS FOR ALL ELECTRICAL CONNECTIONS.**

### MAINTENANCE CAUTION



1. Review the diagrams before beginning, and make sure fixture is grounded properly.
2. For lighting controls, using functioning correctly.
3. Turn power off and wait for fixture cooling to operate.
4. Maintenance must be done by professionals.

## WIRE CONNECTION

· Universal voltage driver permits operation at 120V thru 277V or 347V, 50 or 60Hz

- a. Connect the voltage supply Line to our AC-L terminal
- b. Connect the voltage Neutral supply to our AC-N terminal
- c. Connect the green/yellow ground lead to the supply ground lead
- d. If 0-10V Dimming is used, connect the supply positive dimming lead to our 0-10V(Dim+) terminal
- e. If 0-10V Dimming is used, connect the supply negative dimming lead to our 0-10V(Dim-) terminal

\*\*Consult with dimmer control manufacturer's wiring instructions.

