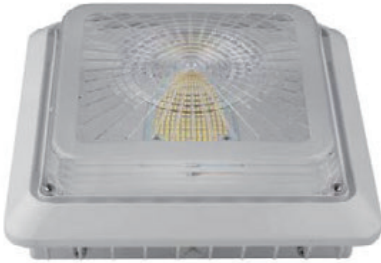


SUITABLE FOR MODEL



SAFETY INSTRUCTION



READ CAREFULLY BEFORE INSTALLING FIXTURE. PLEASE KEEP THIS MANUAL FOR FUTURE USE.

Fixtures must be wired in accordance with the National Electrical Code and all applicable local codes. Proper grounding is required for safety.

THIS PRODUCT MUST BE INSTALLED IN ACCORDANCE WITH THE APPLICATION CODE BY A PERSON FAMILIAR WITH THE CONSTRUCTION AND OPERATION OF THE PRODUCT AND THE HAZARDS INVOLVED. MAKE CERTAIN POWER IS OFF BEFORE INSTALLING OR MAINTAINING FIXTURE.

CHECK THAT VOLTAGE IS COMPATIBLE WITH FIXTURE DRIVER. USE APPROVED CONNECTORS FOR ALL ELECTRICAL CONNECTIONS.

MAINTENANCE CAUTION



1. Review the wire connection before beginning, and make sure fixture is grounded properly.
2. For lighting controls, follow control instructions carefully.
3. Turn power off and wait for fixture to cool before performing maintenance.
4. Maintenance must be done by professionals.

WIRE CONNECTION

Universal voltage driver permits operation at 120VAC thru 277VAC, 50 or 60 Hz.

1. Connect the black fixture lead to the LINE supply lead.
2. Connect the White fixture lead to the COMMON supply lead.
3. Connect the GROUND wire from fixture to supply ground.

FIXTURE	GREEN	GROUND
	WHITE	ACN
	BLACK	ACL

INSTALLATION

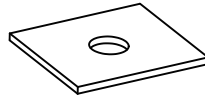
WARNING

Risk of injury or damage. Make certain power is OFF before installing or maintaining fixture.

ACCESSORY PACK



WIRE NUT X 3



ADHESIVE GASKET X 1

PENDANT MOUNT

1. Remove Screws (2) and open the Junction Box. See Figure 1 and 2.
2. Remove the 3/4" Plug in the middle of Junction Box. Feed the customer supplied Pendant Stem and AC leads through the top 3/4" NPS opening of the junction box. Tighten the Pendant Stem. If need to be waterproof please make waterproof treatment between the Pendant Stem and Junction Box. See Figure 2.
3. Hung the Luminaire on the Hook of Junction Box. See Figure 2 and 3.
4. Make wire connection with supplied wire nuts per "Electrical Connections". See Figure 3.
5. Push all wires back into the junction box. Push the Luminaire up and fix it with the Junction Box with the removed Screws (2). See Figure 4.

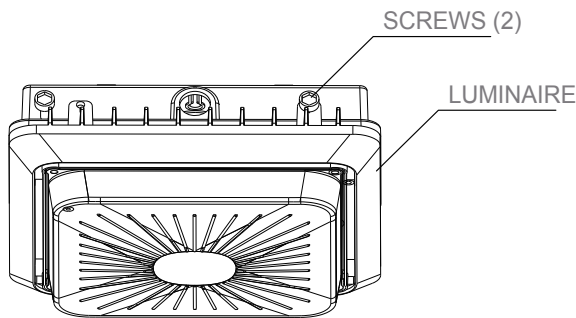


Figure 1

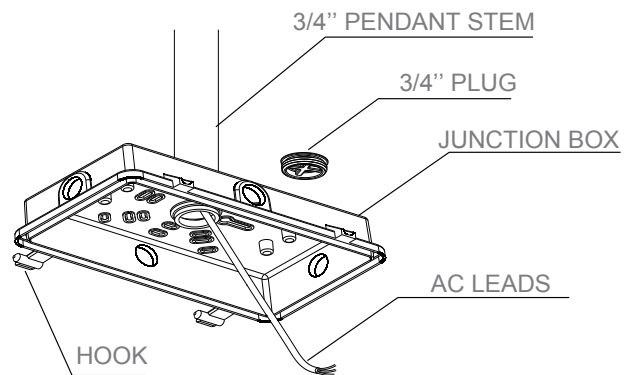


Figure 2

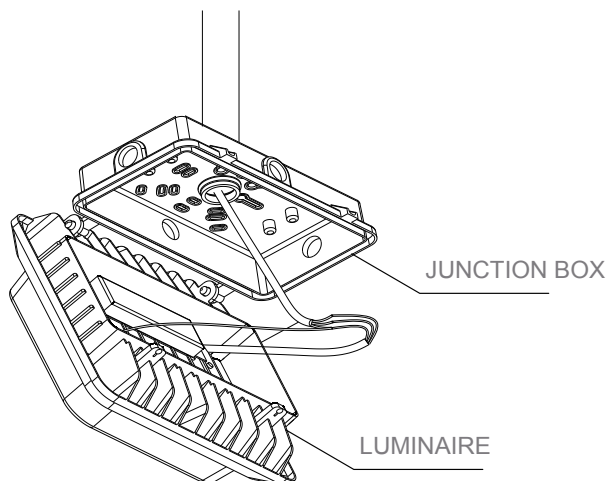


Figure 3

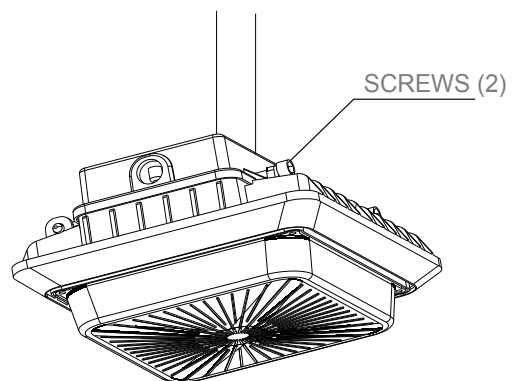


Figure 4

SURFACE MOUNT

1. Drill the mounting holes according the the Drill Pattern.
2. Remove Screws (2) to open the Junction Box. See Figure 5 and 6.
3. Remove the 3/4" Plug in the middle of Junction Box. Attach the supplied Adhesive Gasket on the back of Junction Box. Make sure these holes are aimed. See Figure 6.
4. Fasten the Junction Box to a Wall with Hardwares (not supplied). See Figure 6.
5. Hung the Luminaire on the Hook of Junction Box. See Figure 6 and 7.
6. Make wire connection with supplied wire nuts per "Electrical Connections". See Figure 7.
7. Push all wires back into the junction box. Push the Luminaire up and fix it with the Junction Box with the removed Screws (2). See Figure 8.

DRILL PATTERN

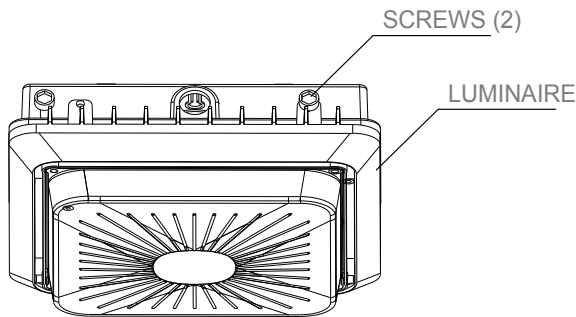
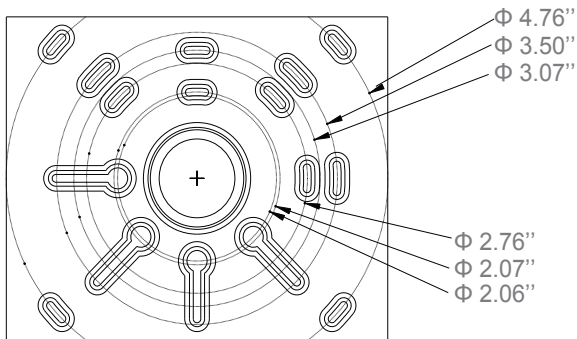


Figure 5

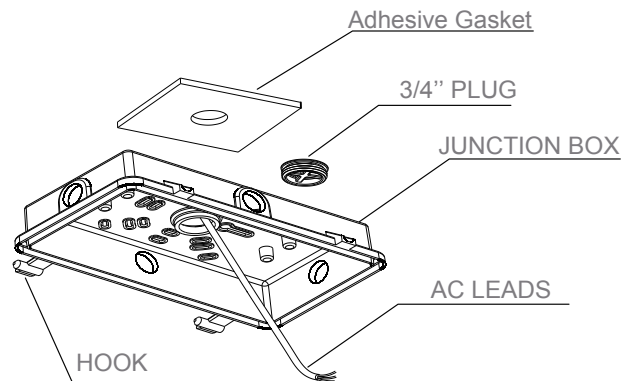


Figure 6

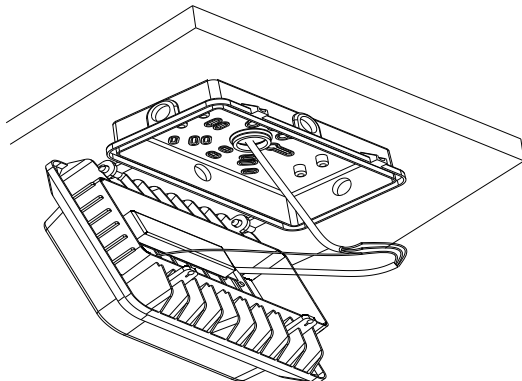


Figure 7

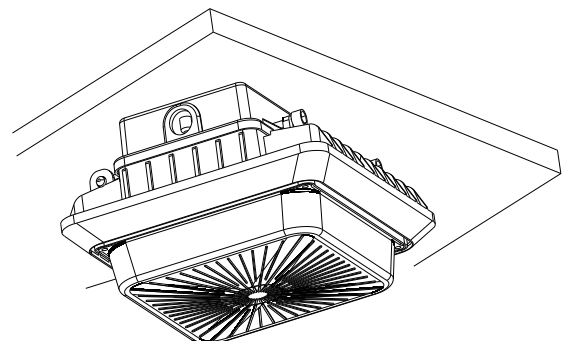


Figure 8

MICROWAVE DIMMING SENSOR SETTING (120-277V)

By selecting the combination on the DIP switch, sensor data can be precisely set for each specific application.

ON ↑ □		1	2	
	I	ON	ON	100%
	II	ON	-	75%
	III	-	ON	50%
	IV	-	-	25%

Detection area

Detection area can be reduced by selecting the combination on the DIP switches to fit precisely each application .

Default Setting: 100%

ON ↑ □		3	4	5	
	I	ON	ON	ON	5S
	II	-	ON	ON	30S
	III	ON	-	ON	90S
	IV	-	-	ON	3min
	V	ON	ON	-	20min
	VI	-	-	-	+∞

Hold time

Refers to the time period the lamp remains at 100% illumination after no motion detected.

Default Setting: 20 min

ON ↑ □		6	7	8	
	I	ON	ON	ON	0S
	II	-	ON	ON	5S
	III	ON	-	ON	5min
	IV	-	-	ON	10min
	V	ON	ON	-	30min
	VI	-	ON	-	1h
	VII	-	-	-	Disable

Stand-by period

Refers to the time period the lamp remains at a low light level before it completely switches off in the long absence of people. When set to "Disable" mode, the low light is maintained until motion is detected

Default Setting: Disable

ON ↑ □		1	2	
	I	ON	ON	50%
	II	-	ON	30%
	III	ON	-	20%
	IV	-	-	10%

Stand-by dimming level

The low light level you would like to have after the hold time in the long absence of people.

Default Setting: 50%

ON ↑ □		3	4	5	6	
	I	ON	ON	ON	ON	5Lux
	II	-	ON	ON	ON	15Lux
	III	ON	-	ON	ON	30Lux
	IV	-	-	ON	ON	50Lux
	V	ON	ON	-	ON	100Lux
	VI	ON	ON	ON	-	150Lux
	VII	-	-	-	-	Disable

Daylight sensor

The sensor can be set to only allow the lamp to illuminate below a defined ambient brightness threshold.

When set to Disable mode, the daylight sensor will switch on the lamp when motion is detected regardless of ambient light level.

100lux, 100lux,50lux: twilight operation, 10lux, 5lux: darkness operation only.

Note that daylight sensor is active only when lamp totally switches off.

Default Setting: Disable