



FOCUS ROUND LIGHT



PRODUCT DESCRIPTION

The Focus Round Light offers the FOCUS family of LED fixtures in diameters from 13.8" through 47.2". Recessed light source design achieving perfect glare control. Edge-lit technology and non-yellowing microprismatic optical PMMA. Flexible installations come in pendant, surface and wall mounted. Options are available in selectable white, direct and indirect light distributions.

FEATURE

- Fixtures in diameters from 13.8" through 47.2"
- Recessed light source design achieving perfect glare control
- Edge-lit technology and non-yellowing optical PMMA
- Rod and Aircraft Cable Pendant mounted and surface mounted
- Direct and indirect light distributions
- Integrated driver design reduce the time to recess the driver into junction box

ELECTRICAL SYSTEM

- Input Voltage: 120-277V, 50/60Hz
- 0-10V Dimming standard
- Minimum Ambient -20°C, Maximum Ambient is 40°C
- Power Factor: > 0.9 at full load
- Total Harmonic Distortion: < 20% at full load

PERFORMANCE

CRI

80

CCT

3000K, 3500K, 4000K

Dimming

0-10V Dimming Standard

Projected Lifetime

L70 - 100,000 Hours

Working Temperature

-4-104°F (-20-40°C)

Certifications

- cETLus conforms to UL Std. 1598 Cert. to CSA Std. G22.2 No.250.0
- Suitable for damp locations
- RoHs compliant

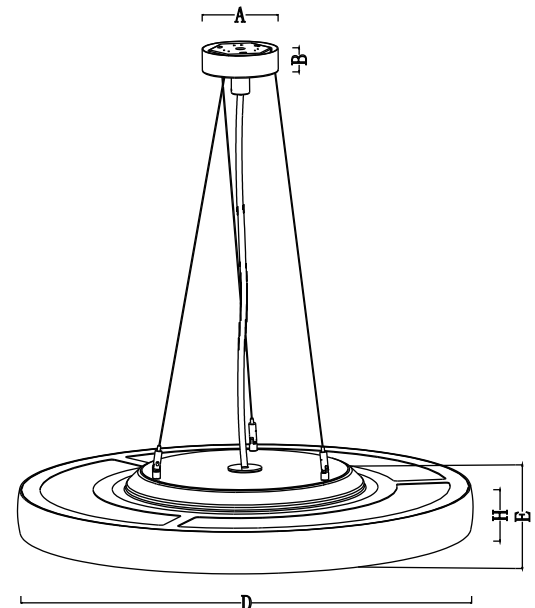
SPECIFICATION

Wire Cord Length: 47.2"(1200mm)

Aircraft Cable Length: 98.4"(2500mm)

Pendant Rod Length: 39.4"(1000mm)

| D | A | B | E | H |
|---------------|--------------|-------------|-------------|------------|
| 13.8"(350mm) | 3.94"(100mm) | 1.18"(30mm) | 3.19"(81mm) | 2.2"(56mm) |
| 17.7"(450mm) | 3.94"(100mm) | 1.18"(30mm) | 3.19"(81mm) | 2.2"(56mm) |
| 23.6"(600mm) | 3.94"(100mm) | 1.18"(30mm) | 3.19"(81mm) | 2.2"(56mm) |
| 35.4"(900mm) | 5.9"(150mm) | 1.18"(30mm) | 3.19"(81mm) | 2.2"(56mm) |
| 47.2"(1200mm) | 5.9"(150mm) | 1.18"(30mm) | 3.19"(81mm) | 2.2"(56mm) |



Ordering Information

Example: FRID24-64-40801

| Series | Distribution | Diameter/Watts | CCT | CRI | Voltage | Installation | Controls | Finish |
|----------------------------------|----------------------------------|---|-------------|-----------------------|--|---|---------------------|---|
| FR | D - Direct | 14-23 - 13.8"/23W ¹ | - 30- 3000K | 80- 80Ra ³ | 1-120-277V | Blank-ACPMK-FR⁴ Aircraft Cable Pendant Mount Kits ⁴ | - Blank-None | - Blank-White⁵ Optional BK-Black⁵ |
| | | 18-42 - 17.7"/42W | 35- 3500K | | | | | |
| 24-64 - 23.6"/64W | | 40- 4000K | | | | | | |
| 35-102 - 35.4"/102W | | SW - 3000K/3500K /4000K selectable ² | | | | | | |
| 47-136 - 47.2"/136W ¹ | | | | | | | | |
| ID- Direct and Indirect | 14-28 - 13.8"/28W ¹ | | | | RPMK-FR Rod Pendant Mount Kits | SMK-FR Surface Mount Kits | | |
| | 18-42 - 17.7"/42W | | | | | | | |
| | 24-64 - 23.6"/64W | | | | | | | |
| | 35-102 - 35.4"/102W | | | | | | | |
| | 47-136 - 47.2"/136W ¹ | | | | | | | |

Notice:

- 13.8" and 47.2" sizes are available as special order. Please contact customer service
- CCT selectable is available as special order. Please contact customer service
- 90 CRI can be available as special order. Please contact customer service
- Aircraft Cable Pendant Mount Kits will be shipped together with fixture. Rod pendant mount kits and surface mount kits are shipped separately.
- Standard Finish is White. Custom colors might be available for an additional fee. Please check with Customer Service for more information.

Accessories

(Order separately, ship together)



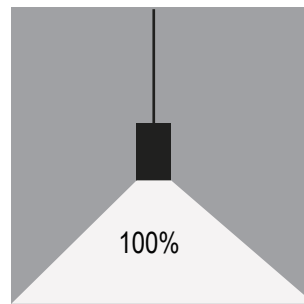
ACPMK-FR14/18/24

Aircraft Cable Pendant Mount Kits for 14"/18"/24" Focus Light

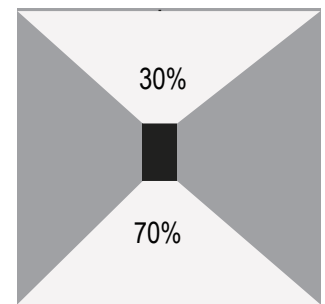
ACPMK-FR35/47

Aircraft Cable Pendant Mount Kits for 35"/47" Focus Light

Illumination Ratio



Direct



Direct and Indirect

Accessories (Order and ship separately)



RPMK-FR14/18/24

Rod Pendant Mount Kits for 14"/18"/24" Focus Light

RPMK-FR35/47

Rod Pendant Mount Kits for 35"/47" Focus Light



SMK-FR14/18

Surface Mount Kits for 14"/18" Focus Light

SMK-FR24

Surface Mount Kits for 24" Focus Light

SMK-FR35/47

Surface Mount Kits for 35"/47" Focus Light

PERFORMANCE DATA

LUMEN OUTPUT

Lumen values are measured by third party certified laboratories performed in accordance with IESNA LM-79-08 as well as Lighting Facts listed.

Direct

| Watts | Lumen Output | Size | AC Input 120V | CCT | CRI |
|-------|--------------|------|---------------|-------|-----|
| 23 | 2400 | 14" | 0.19A | 4000K | 80 |
| 42 | 4400 | 18" | 0.35A | 4000K | 80 |
| 64 | 6600 | 24" | 0.53A | 4000K | 80 |
| 102 | 11000 | 35" | 0.85A | 4000K | 80 |
| 136 | 13600 | 47" | 1.13A | 4000K | 80 |

Direct and Indirect

| Watts | Lumen Output Indirect+Direct | Size | AC Input 120V | CCT | CRI |
|-------|------------------------------|------|---------------|-------|-----|
| 28 | 800+2000 | 14" | 0.23A | 4000K | 80 |
| 42 | 1300+3000 | 18" | 0.35A | 4000K | 80 |
| 64 | 2000+4300 | 24" | 0.55A | 4000K | 80 |
| 102 | 3250+7000 | 35" | 0.85A | 4000K | 80 |
| 136 | 4100+9500 | 47" | 1.13A | 4000K | 80 |



Rod Pendant Mount



Aircraft Cable Pendant Mount



Surface Mount

Warranty

Five year limited warranty.

Note:

Specifications subject to change without notice.