



LED MOON SERIES POST TOP



PRODUCT DESCRIPTION

The moon series has the high-performance solution for the most demanding applications within a unique design. With various precision refractive optical lenses available, and an easy-to-install design, it can be used in many applications such as pedestrian street, factory, school, garden, courtyard, hotel, parking lot, public parks etc.

FEATURE

- Easy and convenient for installation
- Lightweight design and low E PA minimize pole load
- Die-cast aluminum housing and excellent thermal management
- IES distribution Types II, III & V for various applications
- Tempered glass lens doesn't fade and discolor
- Multi-level motion sensor, photocontrol and 3/5/7-pin NEMA receptacle options.

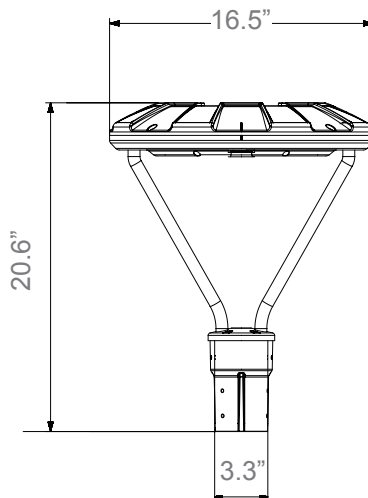
SPECIFICATION

Max. Weight: 16.54 lbs

Effective Projected Area (EPA): 0.7ft²

ELECTRICAL SYSTEM

- Input Voltage: 120-277VAC/347V/480V
- 50/60Hz
- 0-10V dimming for 35W, 50W and 75W; 1-10V dimming for 100W and 135W
- Operating temperature range: -40-104° F (-40-40° C)
- Power Factor: > 0.9 at full load
- Total Harmonic Distortion: < 20% at full load
- Integral 10KA surge suppression protection standard



PERFORMANCE

CRI

70+

CCT

3000K/ 4000K/ 5000K

Projected Lifetime

L70 - 109,000 Hours

Working Temperature

-40-104° F (-40-40° C)

Certifications

- cETLus conforms to UL Std. 1598 Cert. to CSA Std. C22.2 No.250.0
- IP66 rated
- DLC qualified*
- RoHS compliant

* If you find configurations are not shown as DLC listed, please do not hesitate to inquire with Customer Service.

Ordering Information

Example: MPT35501-MS-L3B-P1-V

Name	Watts	CCT	Voltage	Control	Installation	Distribution	Lens	Finish
MPT	35 - 35W	30 - 3000K	1 - 120-277V	MS-L3B - Wattstopper	P1 - 2 3/8" or 3" Tenon pole ⁶	V - Type V	Blank - Glass Clear Lens ⁷	Standard
	50 - 50W	40 - 4000K	2 - 347V ¹	Sensor With Black L3 Lens ⁴				Blank - Dark Bronze
		50 - 5000K	6 - 120-347 ³	MS-L7B - Wattstopper	II - Type II	GFL - Glass Frosted Lens	Optional*	
				Sensor With Black L7 Lens ⁴				
		75 - 75W		1 - 120-277V	PC - Photoelectric Control	PCL - Polycarbonate Clear Lens ⁸	PDL - Polycarbonate Diffused Lens ⁸	AL - Aluminum Silver
		100 - 100W		2 - 347V ¹	7P - 7-Pin PE Receptacle ⁵			BK - Black
	135 - 135W		3 - 480V ² 6 - 347/480V ³		WH - White (See Notes)			

Notes:

- Single voltage 347V is only used with photoelectric control.
 - Single voltage 480V is only used with photoelectric control.
 - 347/480 is available for 75W/100W/135W. If for 35W and 50W, it is 120-347V. 120-347V and 347/480V are not available for photoelectric control.
 - Wattstopper sensor is not available for 120-347V and 347/480V. Black L3 lens is standard for 35W and 50W; Black L7 lens is standard for 75W, 100W and 135W. Please check the motion sensor manual for more information.
 - Shorting cap included.
 - 4" OD round and square pole adapter is available for accessory.
 - Glass clear lens is standard. For other lens options (GFL/PCL/PDL), please check with Customer Service for lead-times.
 - Polycarbonate lens is IK10 rated.
- * Standard Finish is Dark Bronze. Allow 4-6 weeks for optional finish. Additional charge will apply.

Accessories (Ordered separately & field installed)



90178

MPT-4RPA

4" OD Round Pole Adapter



90534

MPT-4SPA

4" Square Pole Adapter



90594

PT-WMB

Wall mount bracket for post top



90198

MPT-HSS

House side shield for MPT/MLB

Wattage Selector Option (Field Adjustable)

Wattage Selector: Luminaires equipped with the Wattage Selector can be field-adjusted to produce desired levels of lumen output. The chart below illustrates selectable wattage levels and the corresponding percentage of lumen output.

Dimming Level Wattage (W)	100%	80%	60%	40%
	35	35	28	21
50	50	40	30	20
75	75	60	45	30
100	100	80	60	40
135	135	108	81	54

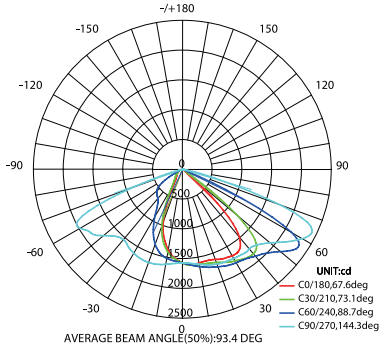
System Wattage	Max THD (%)	Power Factor	Power Efficiency	Replaces/ Equiv.(MH)
35W	20	>0.9	93%	150W
50W	20	>0.9	93%	175W
75W	20	>0.9	93%	250W
100W	20	>0.9	93%	320W
135W	20	>0.9	93%	400W

Note: If you require a Wattage Selector for your order, please contact Customer Service.

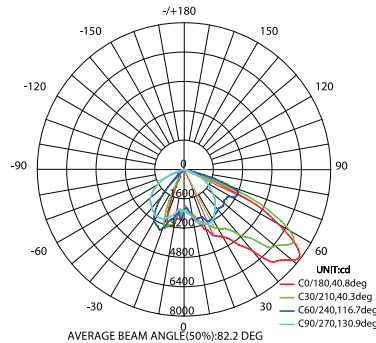
PHOTOMETRY

All published luminaire photometric testing performed to IESNA LM-79-08 standards by a NVLAP certified laboratory.

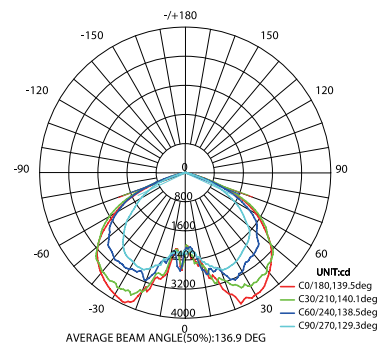
With Clear Lens



Type II



Type III



Type V

PERFORMANCE DATA

LUMEN OUTPUT

Lumen values are measured by third party certified laboratories performed in accordance with IESNA LM-79-08 as well as Lighting Facts listed.

With Clear Glass Lens

Nominal Watts	System Watts	Lumen Output (Post Top)	CRI	CCT	Dist. Type	LPW
35W	35W	4039lm	>70	5000K	Type V	115
50W	47.8W	5319lm	>70	3000K	Type III	111
75W	72.1W	8057.4lm	>70	5000K	Type III	111.8
100W	99.4W	11595lm	>70	5000K	Type V	116.7
135W	133W	16500lm	>70	5000K	Type V	124

Notes: 0.89 multiplier is for frosted glass lens.

Lumen Ambient Temperature (LAT) Multipliers

Use these factors to determine relative lumen output for average ambient temperature from -40-104°F (-40-40°C).

Ambient		Multiplier
Celsius	Fahrenheit	
0	32	1.02
10	50	1.01
20	68	1.00
25	77	1.00
30	86	1.00
40	104	0.99

Projected LED Lumen Maintenance

Data references the extrapolated performance projections for the MT LED in a 77°F ambient temperature (tested per IESNA LM-80-08 and projected per IESNA TM-21-11).

	100W (351B)				75W (5630)			
Operating Hours	10,000	16,000	29,000	109,000	11,000	16,000	27,000	97,000
Lumen Maintenance Factor	0.98(L98)	0.96(L96)	0.92(L92)	0.70(L70)	0.98(L98)	0.96(L96)	0.92(L92)	0.70(L70)

BUG Rating

Performed to IESNA LM-79-08 standards by a NVLAP accredited laboratory

Model	BUG Rating	Model	BUG Rating	Model	BUG Rating
MPT35301-II	B1-U2-G0	MPT50301-V	B2-U2-G1	MPT100301-II	B3-U3-G1
MPT35401-II	B1-U2-G0	MPT50401-V	B2-U2-G1	MPT100401-II	B3-U3-G1
MPT35501-II	B1-U2-G1	MPT50501-V	B2-U2-G1	MPT100501-II	B3-U3-G1
MPT35301-III	B2-U1-G1	MPT75301-II	B2-U3-G1	MPT100301-III	B3-U2-G2
MPT35401-III	B1-U2-G0	MPT75401-II	B2-U3-G1	MPT100401-III	B3-U3-G2
MPT35501-III	B2-U1-G1	MPT75501-II	B2-U3-G1	MPT100501-III	B3-U2-G3
MPT35301-V	B2-U1-G1	MPT75301-III	B2-U2-G2	MPT100301-V	B3-U2-G2
MPT35401-V	B2-U2-G1	MPT75401-III	B2-U3-G1	MPT100401-V	B3-U3-G3
MPT35501-V	B2-U1-G1	MPT75501-III	B2-U2-G2	MPT100501-V	B3-U2-G3
MPT50301-II	B2-U2-G1	MPT75301-V	B3-U2-G2	MPT135501-P1-II	B3-U3-G1
MPT50401-II	B2-U2-G1	MPT75401-V	B3-U3-G1	MPT135501-P1- III	B3-U3-G2
MPT50501-II	B2-U2-G1	MPT75501-V	B3-U3-G1	MPT135501-P1- V	B3-U3-G3
MPT50301-III	B2-U2-G1				
MPT50401-III	B2-U2-G1				
MPT50501-III	B2-U2-G1				



Multi-level Motion Sensor



120-277V Photocontrol



480V Photocontrol



Wall Mount Bracket

Warranty

Five year limited warranty. Full warranty terms located at www.aboveallLighting.com/warrantystatements.

Note:

Specifications subject to change without notice.