



THOE LED WALL LIGHT



PRODUCT DESCRIPTION

The Thoe wall light is designed in an architecture minimalist cuboid shape. It combines die-cast aluminium structure and glass lens in one integral shape. Direct and indirect distributions. Suitable for both indoor and outdoor wall light applications.

FEATURE

- Die-cast aluminum housing
- AC LED, without driver
- Clear glass lens
- Direct and indirect light
- IP65 for wet locations

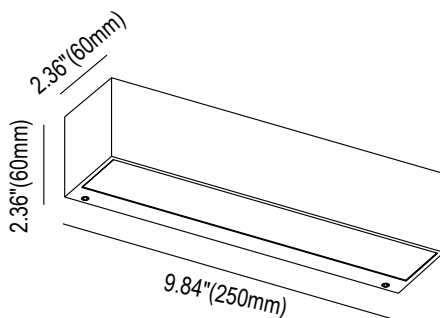
ELECTRICAL SYSTEM

- Input voltage: 120V
- 50/60Hz
- Power Factor: >0.97
- Working Temperature: -4-104°F (-20-40°C)

SPECIFICATION

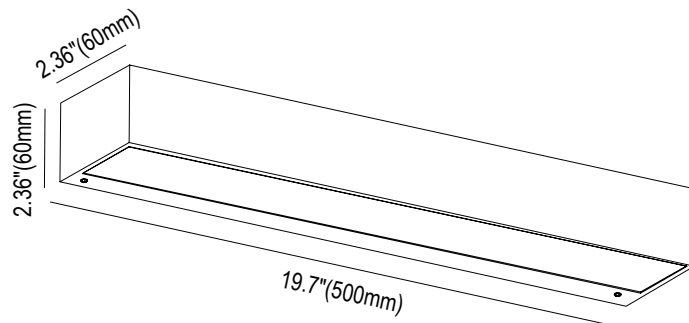
Short

Net Weight: 2.5lbs (1.13kg)



Long

Net Weight: 4.47lbs (2.03kg)



PERFORMANCE

CRI

80

CCT

3000K

Dimming

Non dimming

Projected Lifetime

L70 -100,000 Hours

Working Temperature

-4-104°F (-20-40°C)

Certifications

- cETLus listed
- IP65 for wet locations
- RoHs compliant

Ordering Information

Example: TSID18304-BK

Name	Distribution	Watts	CCT	Voltage	Control	Finish
TS-Thoe Short	D- Direct	09 - 9W	30 - 3000K	4 -120	Blank - None	BK - Black
	ID- Indirect and Direct	18 - 18W				
TL-Thoe Long	D- Direct	18 - 18W	30 - 3000K	4 -120	Blank - None	BK - Black
	ID- Indirect and Direct	36 - 36W				

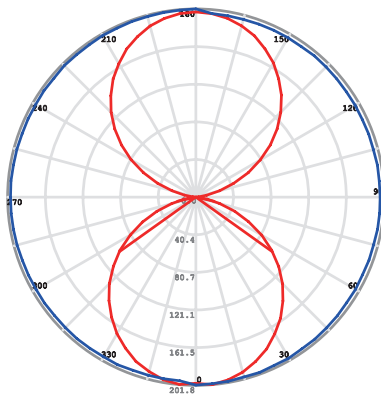
Notice:

- * Minimum order required, please contact customer service for additional information.
- * Black finish is standard. Additional charge will apply for custom color.

PHOTOMETRY

All published luminaire photo metric testing performed to IESNA LM-79-08 standards by a NVLAP certified laboratory.

Plane [50%Ang.] [10%Ang.]
 C180.0: 109.0 154.5



C Plane: C180.0 —
 γ Cone: γ 5.0 —

Direct and Indirect

PERFORMANCE DATA

LUMEN OUTPUT

Lumen values are measured by third party certified laboratories performed in accordance with IESNA LM-79-08 as well as Lighting Facts listed.

Watts	Lumen Output	AC Input 120V	CCT	CRI
9	520	0.07A	3000K	80
18	1060	0.15A	3000K	80
36	2160	0.30A	3000K	80

Warranty

Three year limited warranty.

Note:

Specifications subject to change without notice.