

TAAP BACK-LIT LED FLAT PANEL



PRODUCT DESCRIPTION

The TAAP series flat panel features back-lit design. Coming in 2x2, 2x4 and 1x4 configurations. Wattage and CCT selectable. Ideal for standard T-bar and narrow grid drop ceiling to replace the fluorescent troffer in offices, supermarkets, schools and other indoor applications

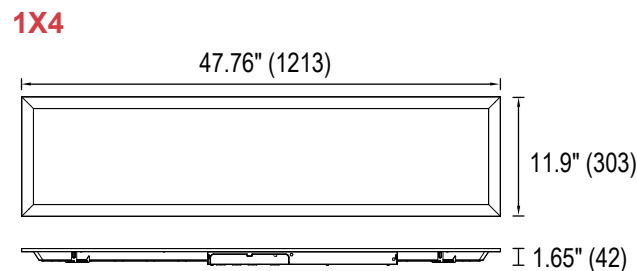
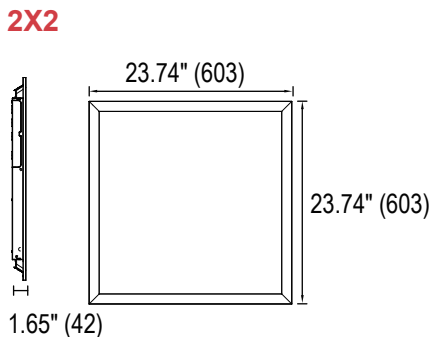
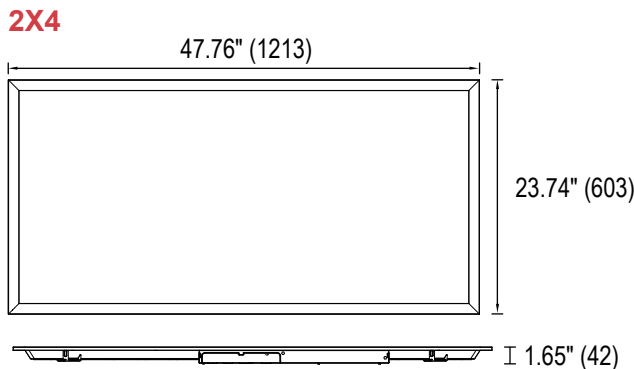
FEATURE

- Wattage and CCT selectable
- Up to 125 LPW
- 120-277V available
- No LGP, never yellowing

ELECTRICAL SYSTEM

- Input voltage: 120-277V, 50/60Hz
- Power Factor: >0.9
- Total Harmonic Distortion: <20% at full load
- Working Temperature: -20~40°C (-4~104°F)

SPECIFICATION



PERFORMANCE

CRI

80

CCT

3500K、4000K、5000K

Dimming

0-10V Dimming Standard

Projected Lifetime

L70 -50,000 Hours

Working Temperature

-4-104°F (-20-40°C)

Certifications

- cULus conforms to UL Std. 1598Cert. to CSA Std. C22.2 No.250.0
- Suitable for dry locations
- Type IC Rated, suitable for insulated ceilings
- RoHS compliant
- Sale in US only

Ordering Information

Example: BFLPT-24D-SP2-SW1

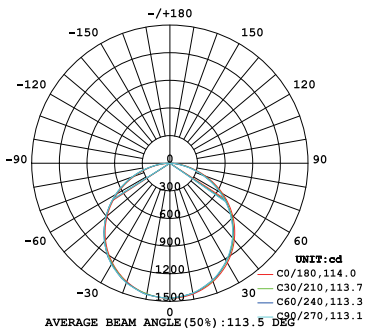
Name	- Dimension	Dimmable	- Watts	- CCT	Voltage	- Control
BFLPT	- 22 - 2x2'	D- 1-10V dimming	SP1- Selectable Power 20W/30W/40W ¹	SW - Selectable White 3500K/4000K/5000K ³	1- 120-277V	Blank - None
	14 - 1x4'		SP1 - Selectable Power 20W/30W/40W ¹			
	24 - 2x4'		SP2 - Selectable Power 30W/40W/50W ²			

Notice:

- 40W is default setting, If need other wattage, please contact Customer Service in advance to change the setting in factory or change the setting in the field
- 50W is default setting, If need other wattage, please contact Customer Service in advance to change the setting in factory or change the setting in the field
- 3500K is default setting. If need other CCT please contact Customer Service in advance to change the setting in factory or change the setting in the field.

PHOTOMETRY

All published luminaire photo metric testing performed to IESNA LM-79-08 standards by a NVLAP certified laboratory.



PERFORMANCE DATA

LUMEN OUTPUT

Lumen values are measured by third party certified laboratories performed in accordance with IESNA LM-79-08 as well as Lighting Facts listed.

Watts	Size	Nominal Lumen	CCT	CRI	LPW
20W	2x2/1x4	2200lm	4000K	>80	110
30W	2x2/1x4/2x4	3300lm	4000K	>80	110
40W	2x2/1x4/2x4	4400lm	4000K	>80	110
50W	2x4	5500lm	4000K	>80	110

Warranty

Five years limited warranty is standard. Ten years limited warranty can be option.

Note:

Specifications subject to change without notice.