

SUITABLE FOR MODEL



SAFETY INSTRUCTION



READ CAREFULLY BEFORE INSTALLING FIXTURE. PLEASE KEEP THIS MANUAL FOR FUTURE USE.

RISK OF FIRE, EXPLOSION AND ELECTRIC SHOCK

- This product should be installed, inspected, and maintained by a qualified electrician only, in accordance with the NEC (National Electric Code) and all local codes.
- Turn off electrical power before inspection, installation or removal.
- Use only UL (or other NRTL) approved wire for input/output connections. Minimum size 18 AWG or 14 AWG for continuous runs.
- Make sure LEDs and drivers are cool to touch when performing maintenance. Make sure the supply voltage is the same as the rated voltage of the luminaire.
- Do not install in a hazardous atmosphere, except where the ambient temperature does not exceed the rated operating temperature of the fixture.
- Keep tightly closed when in operation

MAINTENANCE CAUTION



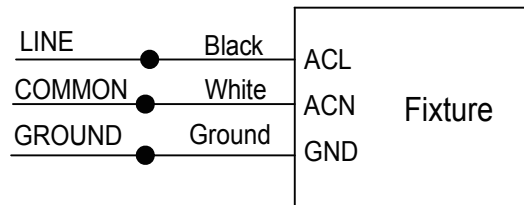
1. Review the wire connection before beginning, and make sure fixture is grounded properly.
2. For lighting controls, follow control instructions carefully.
3. Turn power off and wait for fixture to cool before performing maintenance.
4. Maintenance must be done by professionals.

WIRE CONNECTION

Voltage permits operation at 120VAC thru 277VAC, 50 or 60 Hz.

Make the following Electrical Connection:

- a). Connect the voltage supply line to ACL in Black.
- b). Connect the voltage supply Neutral to ACN in White.
- c). Connect ground lead to the supply ground lead.

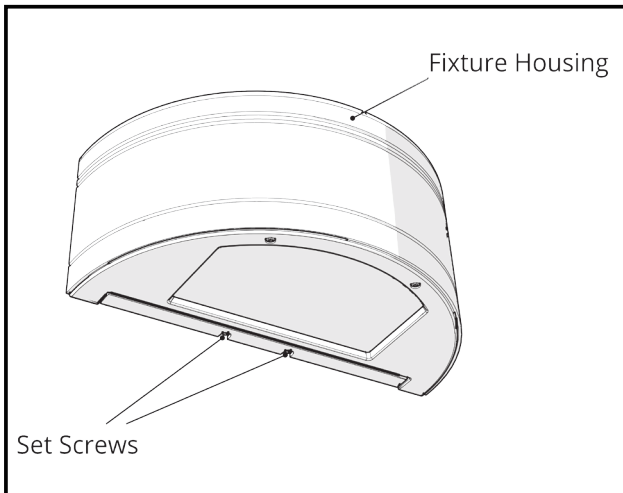


INSTALLATION

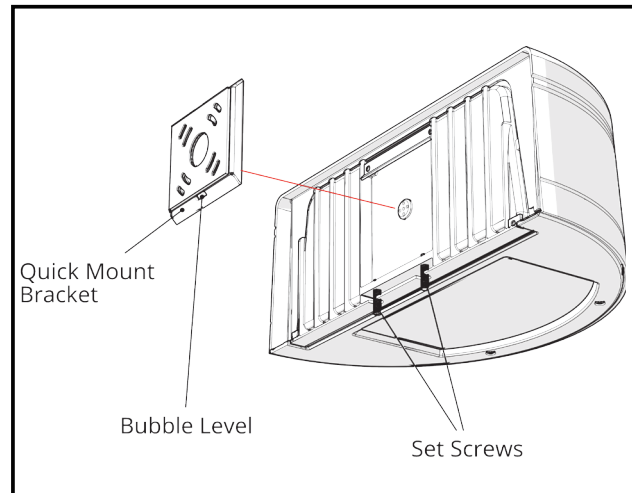
WARNING

Risk of injury or damage. Make certain power is OFF before installing or maintaining fixture.

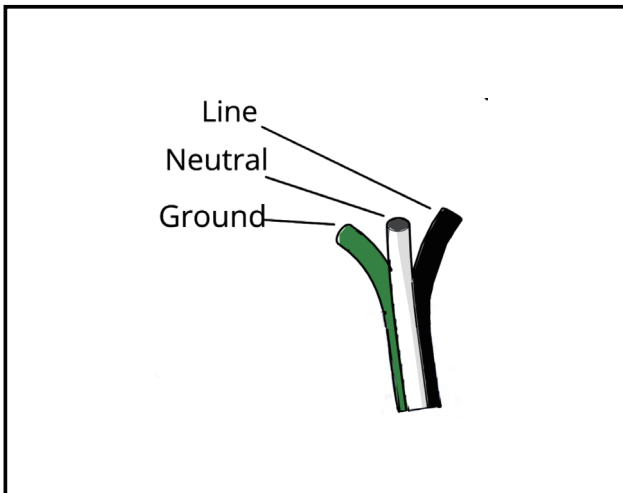
INSTALLATION STEPS



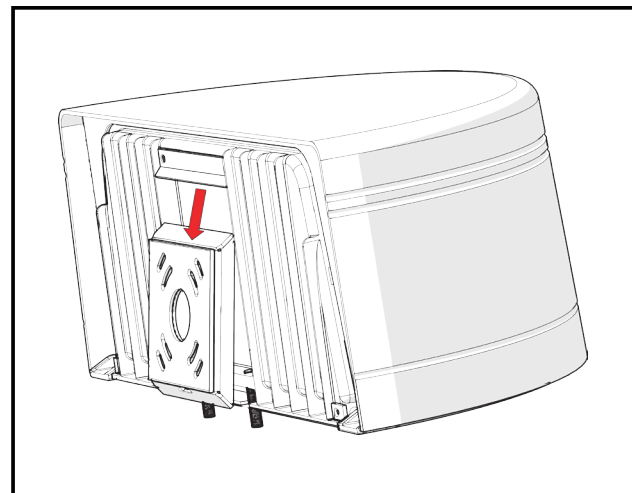
Step 1: Loosen the two (2) set screws found on the bottom of the fixture housing.



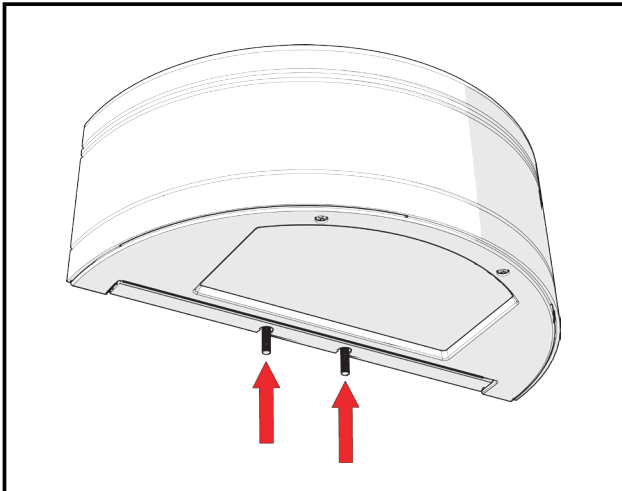
Step 2: Remove the quick mount bracket from the fixture and attach it to the junction box with the appropriate hardware (not included).



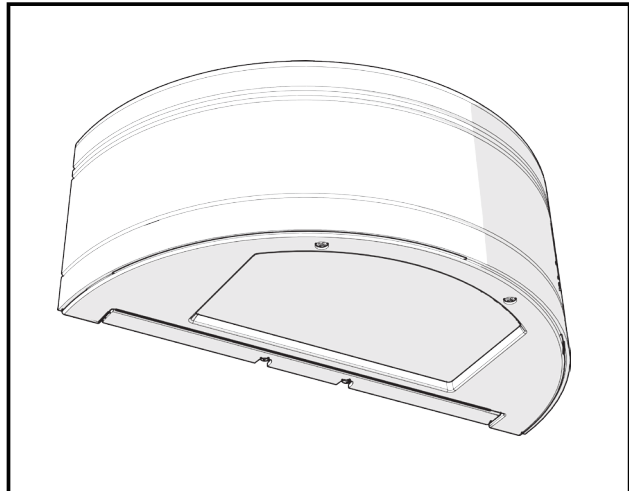
Step 3: Make the wiring connections according to the wiring diagram. Push excess wire into the junction box.



Step 4: Lift the fixture and tilt slightly toward the quick mount bracket. Hook the fixture housing onto the quick mount bracket as shown. Take care not to pinch any wires.

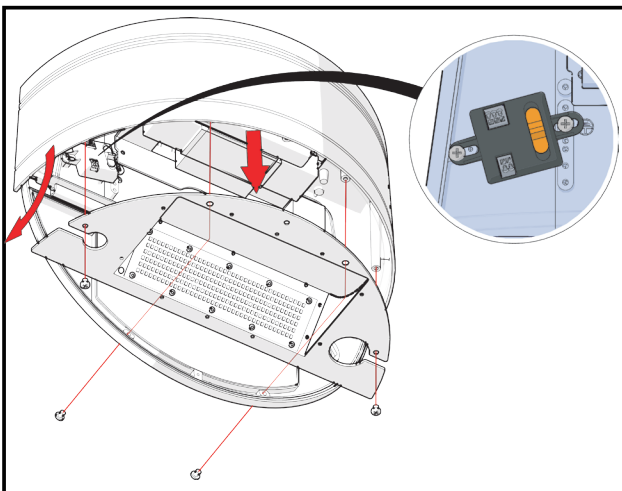


Step 5: Tighten the two(2) set screws to secure the fixture housing to the quick mount bracket.

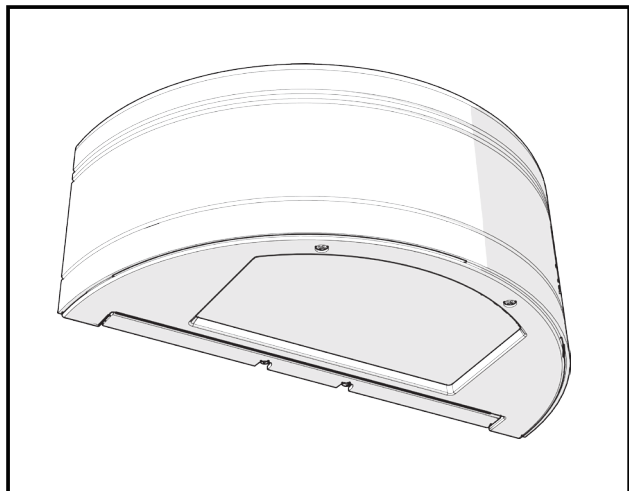


Step 6: Restore power and check that the fixture is functioning properly.

Wattage Adjustment (Select Models Only)



Step 1: With the supply power off, open the bottom cover and carefully detach the LED reflector assembly. Adjust the controller to the desired wattage by sliding the switch on the controller.



Step 2: Reattach the LED reflector assembly and close the bottom cover. Restore power and check that the fixture is functioning properly.