

SQUARE SPOT SERIES MAGNETIC TRACK LIGHT

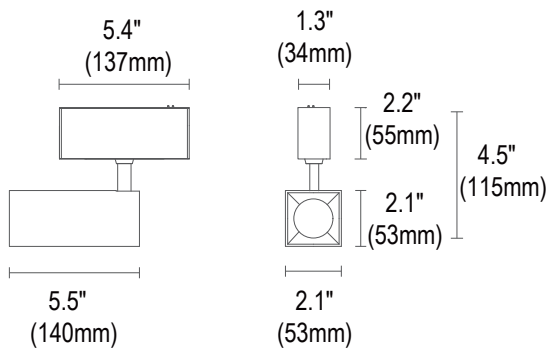
GENERAL SPECIFICATION

Square shape with three different beam angles. The junction arm is integrated in the Spots body, keeping the body centered on the track while allowing for 360° rotation along the horizontal plane and 90° rotation along the vertical plane.



CCT: 2700K/3000K/4000K
CRI: RA90
DIM: Triac,0/1-10V,
Installation: Magnetic
Environment: Indoor

DIMENSION



Ordering Information

Example: SS10-3090-24V-24-MTM-BK

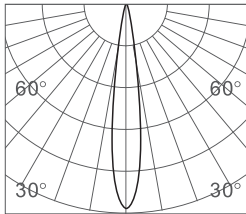
Series	Watts	- CCT&CRI	- Voltage	Lens	Installation	- Finish
SS	10 - 10W	- 2790 - 2700K 90Ra	- 24V-24Vdc ¹	18 - 18 degree	MTM - Magnetic Track Mount	- BK -Black ²
		3090 - 3000K 90Ra		24 - 24 degree		Optional
		4090 - 4000K 90Ra		36 - 36 degree		WH -White ²

Notice:

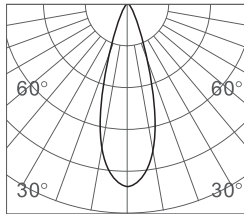
1. The fixture is used for 24V magnetic track system.
2. Standard Finish is black. Custom colors might be available for an additional fee. Please check with Customer Service for more information.

PHOTOMETRY

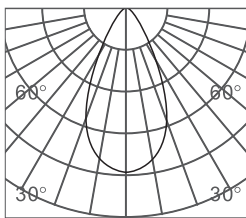
All published luminaire photometric testing performed to IESNA LM-79-08 standards by a NVLAP certified laboratory.

15°


h(m)	E(lx)	Φ(m)
1	3011	Φ0.32
2	752	Φ0.64
3	334	Φ0.97
4	188	Φ1.29
5	120	Φ1.62

24°


h(m)	E(lx)	Φ(m)
1	3857	Φ0.40
2	964	Φ0.81
3	428	Φ1.22
4	241	Φ1.62
5	154	Φ2.03

36°


h(m)	E(lx)	Φ(m)
1	2154	Φ0.64
2	538	Φ1.28
3	239	Φ1.92
4	134	Φ2.56
5	86	Φ3.21

PERFORMANCE DATA

Lumen values are estimated with LED data sheet.

Watts	Lens	Lumen Output	CRI	CCT	LPW
10	18/24/36°	600	90	3000K	60

Warranty

Five year limited warranty.

* Specifications subject to change without notice.