

CURVE CYLINDER SPOT MAGNETIC TRACK LIGHT

GENERAL SPECIFICATION

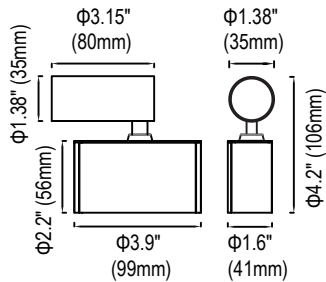
Two sizes with three different beam angles. Junction arm integrated in the spotlight's body to keep the barycentre aligned with the track. This junction arm allows 360° rotation in horizontal direction and 90° rotation in vertical direction.

CCT: 2700K/3000K/4000K
CRI: RA90
DIM: Triac, 0/1-10V,
Installation: Magnetic
Environment: Indoor

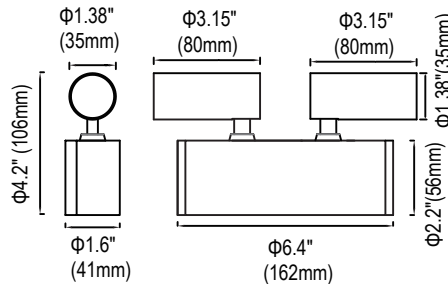


DIMENSION

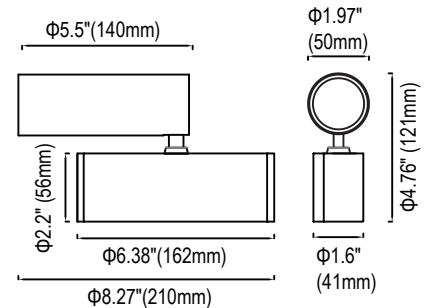
Small 5W



Small 2x5W



Medium 10W



Ordering Information

Example: CCSS2X5-3090-24V-30-MTM-BK

| Series | Size | Watts | . CCT&CRI | . Voltage | Lens | Installation | - Finish |
|--------|------------|------------|---------------------|--------------------------|----------------|----------------------------|--------------------------|
| CCS | S - Small | 5 - 5W | - 2790 - 2700K 90Ra | - 24V-24Vdc ¹ | 20 - 20 degree | MTM - Magnetic Track Mount | - BK -Black ² |
| | | 2X5 - 2X5W | 3090 - 3000K 90Ra | | 30 - 30 degree | | |
| | | | 4090 - 4000K 90Ra | | 40 - 40 degree | | |
| | M - Medium | 10 - 10W | | | 18 - 18 degree | | |
| | | | | | 24 - 24 degree | | |
| | | | | | 36 - 36 degree | | |

Notice:

1. The fixture is used for 24V magnetic track system.
2. Standard Finish is black. Custom colors might be available for an additional fee. Please check with Customer Service for more information.

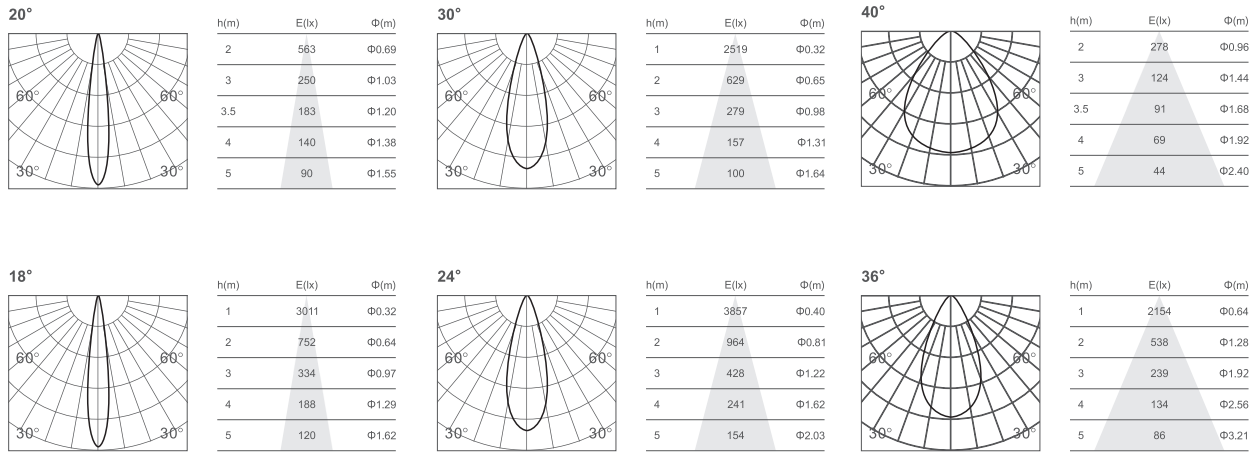

Small Spot 5W

Small Spot 2X5W

Medium Spot 10W

PHOTOMETRY

All published luminaire photometric testing performed to IESNA LM-79-08 standards by a NVLAP certified laboratory.



PERFORMANCE DATA

Lumen values are estimated with LED data sheet.

| Watts | Lens | Lumen Output | CRI | CCT | LPW |
|-------|-----------|--------------|-----|-------|-----|
| 5 | 20/30/40° | 530 | 90 | 3000K | 106 |
| 2X5 | 20/30/40° | 1060 | 90 | 3000K | 106 |
| 10 | 18/24/36° | 680 | 90 | 3000K | 68 |