

CURVE METEOR PENDANT MAGNETIC TRACK LIGHT

GENERAL SPECIFICATION

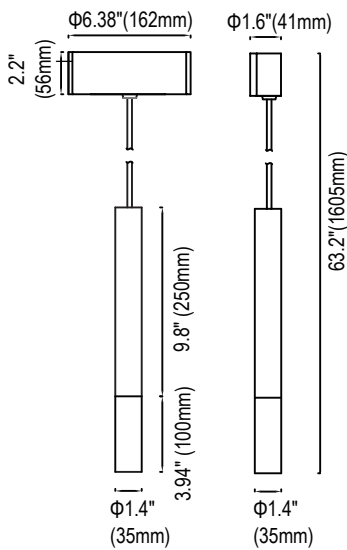
Not only for decoration, it's professional in atmosphere creation by precious light control. Thanks to the length adjustable cable, the magnetic pendant works smooth in different spaces. Comfortable lighting without glare.

CCT: 2700K/3000K/4000K
CRI: RA90
DIM: Triac, 0/1-10V,
Installation: Magnetic
Environment: Indoor

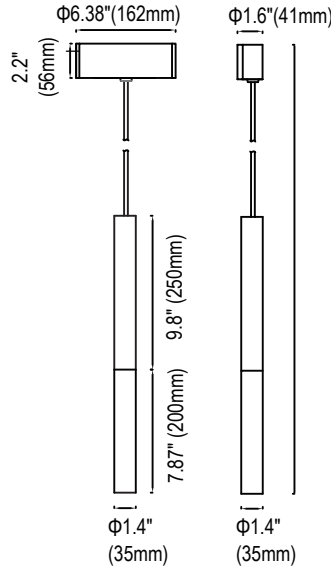


DIMENSION

4" Tube Length



8" Tube Length



Ordering Information

Example: CMET8-05-3090-24V-30-MTM-BK

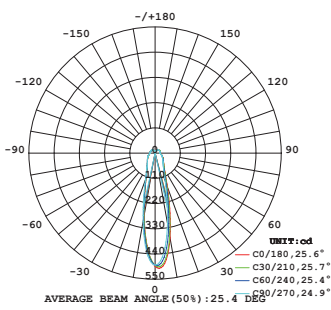
Series	Tube Length	Watts	CCT&CRI	Voltage	Lens	Installation	Finish
CMET	4 - 4"	05 - 5W	- 2790 - 2700K 90Ra	- 24V-24Vdc ¹	DL - Diffused	MTM - Magnetic Track Mount	- BK -Black ²
	8 - 8"		3090 - 3000K 90Ra				Optional
			4090 - 4000K 90Ra				WH -White ²

Notice:

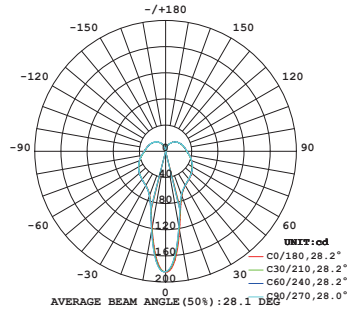
1. The fixture is used for 24V magnetic track system.
2. Standard Finish is black. Custom colors might be available for an additional fee. Please check with Customer Service for more information.

PHOTOMETRY

All published luminaire photometric testing performed to IESNA LM-79-08 standards by a NVLAP certified laboratory.



MET4



MET8

PERFORMANCE DATA

Lumen values are estimated with LED data sheet.

Watts	Tube Length	Lumen Output	CRI	CCT	LPW
5	10cm	460	90	3000K	92
5	20cm	460	90	3000K	92