

CURVE ROUND SPOT MAGNETIC TRACK LIGHT

GENERAL SPECIFICATION

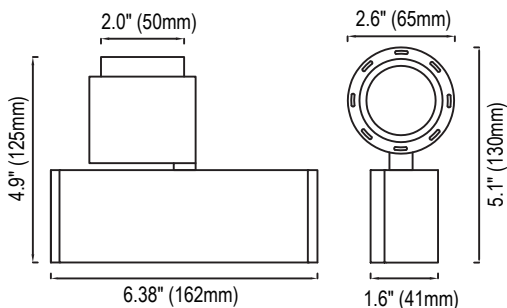
The Curve Round Spot series is available in two sizes and is designed to work with our Curve Magnetic Track System. The junction arm is integrated in the Spots body, keeping the body centered on the track while allowing for 360° rotation along the horizontal plane and 90° rotation along the vertical plane. The fixture is available in three beam angles.

CCT: 2700K/3000K/4000K
 CRI: RA90
 DIM: Triac,0/1-10V,
 Installation: Magnetic
 Environment: Indoor

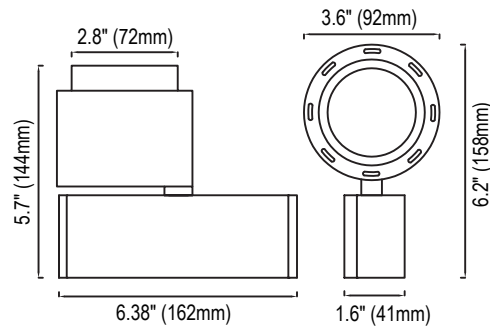


DIMENSION

Small 8W



Large 15W



Ordering Information

Example: CRSS08-3090-24V-30-MTM-BK

Series	Size	Watts	- CCT&CRI	- Voltage	Lens	Installation	- Finish
CRS	S - Small	08 - 8W	-2790 - 2700K 90Ra	-24V-24Vdc ¹	10 - 10 degree	MTM - Magnetic Track Mount	- BK -Black ²
			3090 - 3000K 90Ra		20 - 20 degree		Optional
	L - Large	15 - 15W	4090 - 4000K 90Ra		30 - 30 degree		WH -White ²

Notice:

- The fixture is used for 24V magnetic track system.
- Standard Finish is black. Custom colors might be available for an additional fee. Please check with Customer Service for more information.



Small Spot 8W

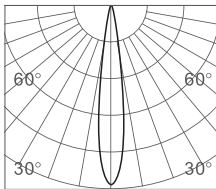


Large Spot 15W

PHOTOMETRY

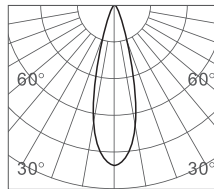
All published luminaire photometric testing performed to IESNA LM-79-08 standards by a NVLAP certified laboratory.

10°



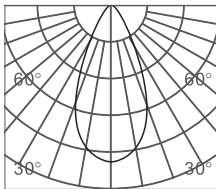
h(m)	E(lx)	Φ(m)
2	4203	Φ0.20
3	1051	Φ0.40
3.5	467	Φ0.61
4	262	Φ0.81
5	168	Φ1.02

20°



h(m)	E(lx)	Φ(m)
1	2675	Φ0.26
2	668	Φ0.53
3	297	Φ0.80
4	167	Φ1.06
5	107	Φ1.33

30°



h(m)	E(lx)	Φ(m)
2	699	Φ0.53
3	174	Φ1.06
3.5	77	Φ1.60
4	43	Φ2.13
5	27	Φ2.66

PERFORMANCE DATA

Lumen values are estimated with LED data sheet.

Watts	Lens	Lumen Output	CRI	CCT
8	10/20/30°	255	90	3000K
15	10/20/30°	485	90	3000K