



## EUNIKE LED BOLLARD



## PRODUCT DESCRIPTION

An Innovative bollard light which enhances the aesthetics of any space, the Eunique LED Bollard has photocontrol as a standard feature and is available in 20" and 43" pole heights. This bollard is an excellent choice for a wide variety of applications such as walkways, entrances, promenades, plazas, bridges, and landscaped areas.

## FEATURE

- Simple and sleek design
- 20" and 43" height available
- Photocontrol is available
- Emergency battery back-up available
- IP66 rated for wet location

## ELECTRICAL SYSTEM

- Input Voltage: 120-277V
- 50/60Hz
- Minimum Ambient -22°F, maximum ambient 104°F
- Power Factor: > 0.9 @120Vac
- Total Harmonic Distortion: < 20%

## PERFORMANCE

CRI

70

CCT

3000K, 4000K, 5000K

Dimming

0-10V Dimming Driver

Projected Lifetime

L70 - 100,000 Hours

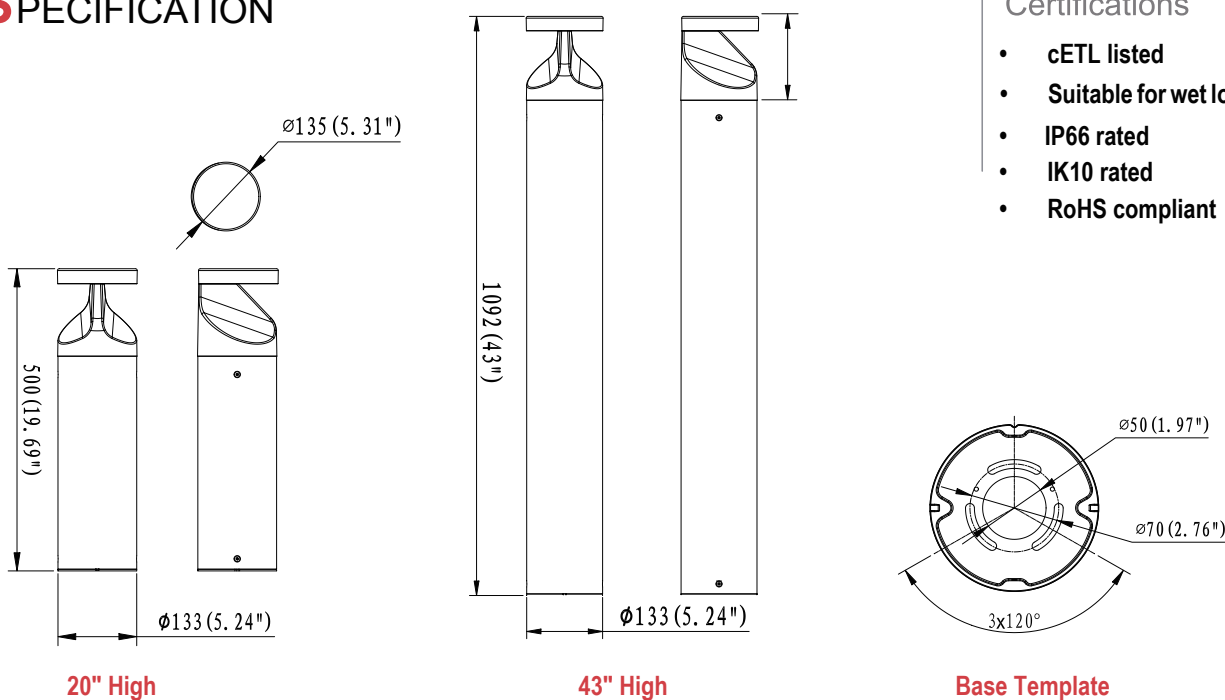
Working Temperature

-30°C to + 40°C (-22°F to 104°F)

Certifications

- cETL listed
- Suitable for wet location
- IP66 rated
- IK10 rated
- RoHS compliant

## SPECIFICATION



## Ordering Information

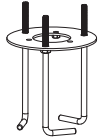
### Example: EBD43H-25401-PC-III-BK

Name	Pole Height	-Watts	CCT	Voltage	-Controls	-Distribution	-Finish
EBD - Eunike Bollard	20H - 20" High	15- 15 Watts	30 - 3000K	1 - 120-277V	PC - Photocontrol <sup>1</sup> EBU - Emergency Battery Back-up <sup>2</sup>	III- Type III IV- Type IV	BK - Black <sup>3</sup> (RAL9017)
	43H - 43" High	25- 25 Watts	40 - 4000K				
			50 - 5000K				

#### Note:

1. Photocontrol comes standard.
2. Emergency battery back-up is only for 43" high pole. It is for ambient temperatures of 32°F-95°F(0 °C-35°C). Emergency battery backup is available in 4W with 420lm and works for a minimum of ninety (90) minutes.
3. Standard Finish is black. Custom color available with additional cost. Please check with Customer Service for more information.

## ACCESSORIES (ORDER SEPARATELY)



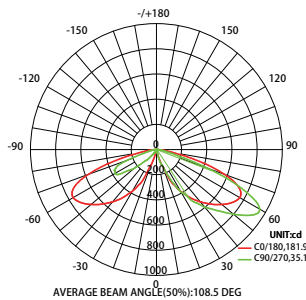
**91121**

#### ABMK04

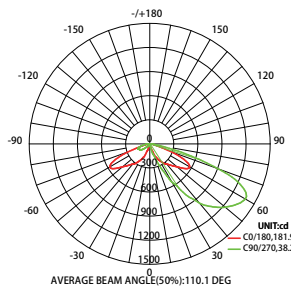
Anchor bolts mounting kits  
for Selectable Cone Bollard  
and Eunike Bollard

## PHOTOMETRY

All published luminaire photometric testing performed to IESNA LM-79-08 standards by a NVLAP certified laboratory.



**Type III**



**Type IV**

## PERFORMANCE DATA

### LUMEN OUTPUT

Watts	Tested Watts	Lumen Output	AC Input 120V	CRI	CCT	LPW
25W	24W	2540m	0.2A	70	4000K	107
15W	13W	1500m	0.1A	70	4000K	118

#### Lumen Multiplier

3000K	0.9
4000K	1
5000K	0.95

## BUG Rating

Performed to IESNA LM-79-08 standards by a NVLAP accredited laboratory.

Model	BUG Rating
EBD-25401-III	B1-U0-G1
EBD-25401-IV	B1-U0-G1

Ref#: 20230310



## Photocontrol Option

## Warranty

Five year limited warranty.

## Note:

Specifications subject to change without notice.