



## POULYNOE LED WALL LIGHT



### PRODUCT DESCRIPTION

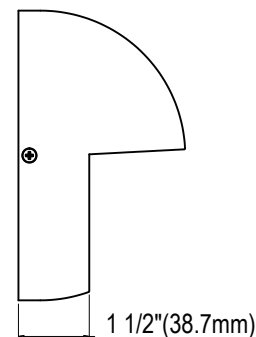
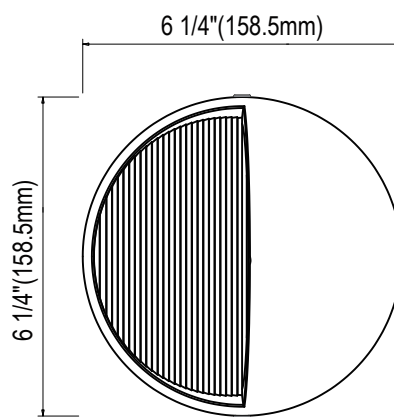
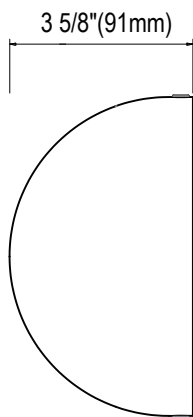
The Poulynoe wall light is designed in an architecture round shape and full cut-off design. It combines aluminium structure and glass lens in one integral beautiful streamlined shape. Suitable for both indoor and outdoor wall light application.

### ELECTRICAL SYSTEM

- Input voltage: 120V
- 50/60Hz
- Power Factor: >0.87
- Working Temperature: -13-95°F (-25-35°C)

### SPECIFICATION

Net Weight: 1.41lbs



### PERFORMANCE

CRI

80

CCT

3000K, 4000K

Dimming

Non dimming

Projected Lifetime

L70 -100,000 Hours

Working Temperature

-13-95°F (-25-35°C)

Certifications

- Suitable for wet locations
- RoHs compliant

## Ordering Information

### Example: POU12304-BK

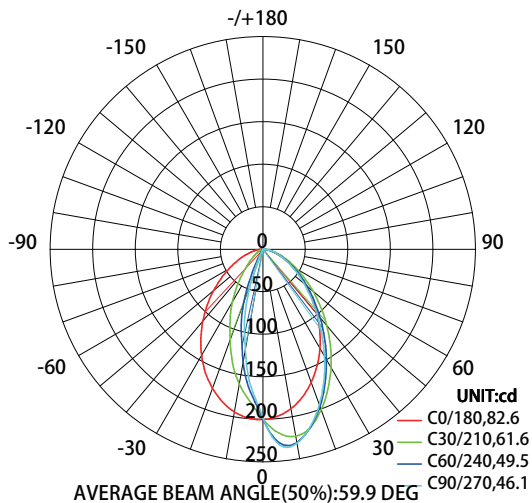
Model	Watts	CCT	Voltage	Control	Finish
POU	12 - 12W	30 - 3000K 40 - 4000K	4 - 120	Blank - None	BK - Black

#### Notice:

- \* 4000K has minimum order requirement. Please contact customer service for additional information.
- \* Black finish is standard. Custom color is available for a premium setup fee. Consult customer service for additional information.

## PHOTOMETRY

All published luminaire photo metric testing performed to IESNA LM-79-08 standards by a NVLAP certified laboratory.



## PERFORMANCE DATA

### LUMEN OUTPUT

Lumen values are measured by third party certified laboratories performed in accordance with IESNA LM-79-08 as well as Lighting Facts listed.

Watts	Lumen Output	AC Input 120V	CCT	CRI
12	<b>280</b>	0.09A	3000K	<b>80</b>

## Warranty

Two year limited warranty.

## Note:

Specifications subject to change without notice.