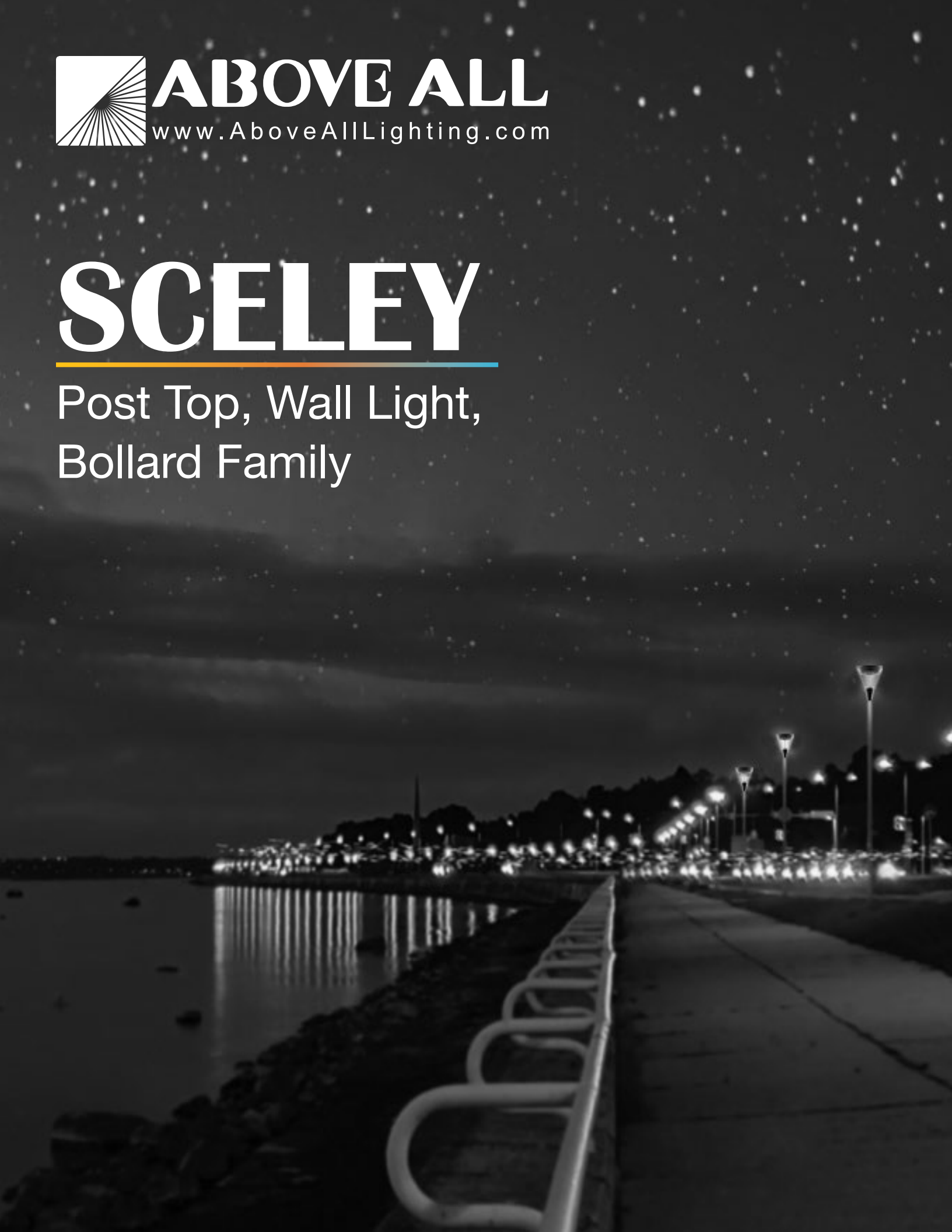




SCELEY

Post Top, Wall Light,
Bollard Family



Sceley LED Bollard

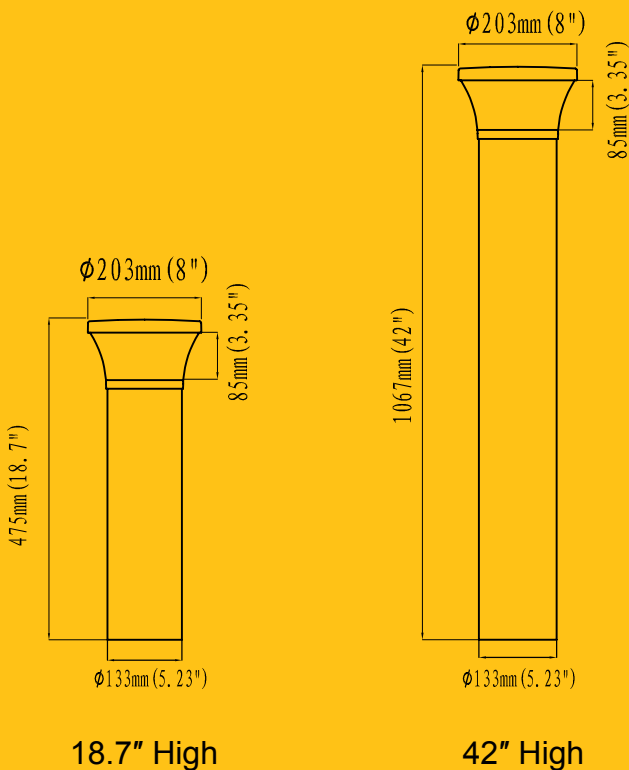
PERFORMANCE

Input Watts (Nominal): 13W, 25W
Output Lumens (@4000K): 1780 lm, 2870lm
LPW: 137, 139
Input Voltage: 120-277V,50/60Hz
Color Rendering Index: >80
Working Temperature:
-40°C to + 40°C (-40 °F to 104°F)
Power Factor: >0.9
Total Harmonic Distortion: < 20%

01

18.7" and 42"

height available



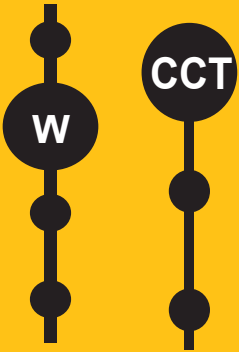


The Sceley led bollard comes in 18.7" and 42" height. An innovative bollard light which enhances the aesthetic and creative of city unique and gorgeous appearance. CCT and Wattage selectable.

This bollard is an excellent choice for walkways, entrances, promenades, plazas, courtyards, driveways, bridges, and landscaped areas.

02

Wattage and CCT
selectable



03

Efficiency is up to
130lm/W



04

IP66 rated for wet
location



Sceley LED Post Top

PERFORMANCE

Input Watts (Nominal): 18W, 30W, 45W, 60W

Output Lumens (@4000K): 2520 lm, 4200lm, 6300, 8000

LPW: 140, 140, 140, 133

Input Voltage: 120-277V,50/60Hz

Color Rendering Index: >80

Working Temperature:

-40-104 °F (-40-40 °C)

Power Factor: >0.9

Total Harmonic Distortion: < 20%

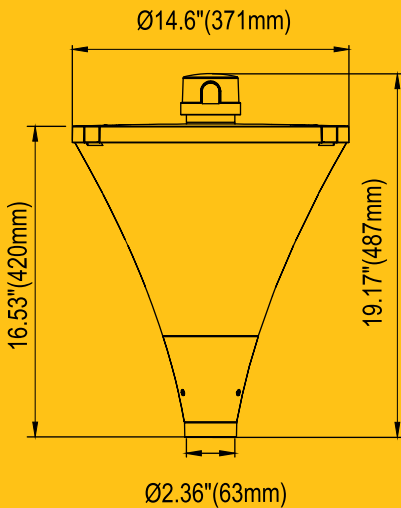
10kV surge suppression available

SPECIFICATION

Net Weight :

4.6kg(10.12Lbs)

EPA : 0.98ft²/0.09m²



- High quality, UV resistant 360° polycarbonate shade Won't turn yellow for long time
- Power selectable, CCT selectable
- Photocell is available
- Type I, II, III, IV, V distributions

01

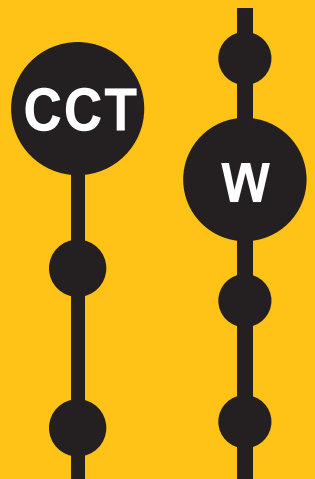
360° polycarbonate

shade



02

Power and CCT
selectable







OUTLET



75m

Sceley LED Wall Light

PERFORMANCE

Input Watts (Nominal): 18W, 30W, 45W, 60W

Output Lumens (@4000K): 2520 lm, 4200lm, 6300, 8000

LPW: 140, 140, 140, 133

Input Voltage: 120-277V,50/60Hz

Color Rendering Index: >80

Working Temperature:

-40-104 °F (-40-40 °C)

Power Factor: >0.9

Total Harmonic Distortion: < 20%

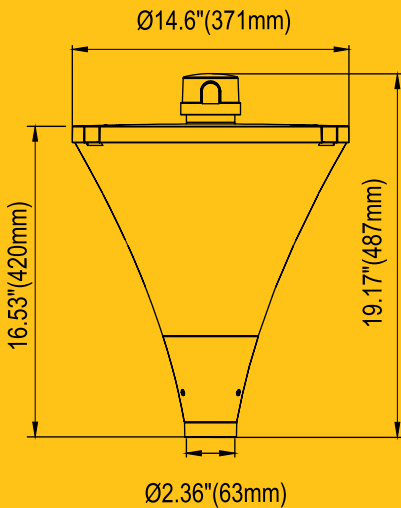
10kV surge suppression available

SPECIFICATION

Net Weight :

4.6kg(10.12Lbs)

EPA : 0.98ft²/0.09m²



- High quality, UV resistant 360° polycarbonate shade Won't turn yellow for long time
- Power selectable, CCT selectable
- Photocell is available
- Type I, II, III, IV, V distributions

01

360° polycarbonate

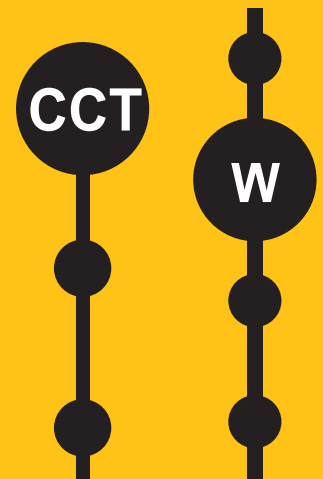
shade



02

Power and CCT


selectable










ABOVE ALL Lighting, Inc.

 1135 Thomas Busch Highway,
Pennsauken, NJ 08110

 866-222-8866

 info@abovealllighting.com

 www.AboveAllLighting.com

©2023 ABOVE ALL all rights reserved