



## GRA LED WALL PACK



## PRODUCT DESCRIPTION

The GRA selectable dark sky wall pack features cutoff distribution in traditional appearance. Die-cast aluminum housing with integrated heat sink for superior heat dissipation, and options for Emergency back-up, photocontrol, and sensor. It is an ideal option for landscape, wall/ surface, low level pathway, apartment buildings, schools, and multi-use facilities.

## FEATURES

- Wattage selectable
- CCT selectable
- Cutoff distribution design
- Lumen ranges from 1800lm to 8000lm
- Emergency back up, photocontrol and sensor available

## ELECTRICAL SYSTEM

- Input voltage: 120-277V
- 50/60Hz
- Power Factor: >0.9
- Total Harmonic Distortion: <20% at full load

## PERFORMANCE

CRI

70

CCT

3000K, 4000K, 5000K

Projected Lifetime

L70 -100,000 Hours

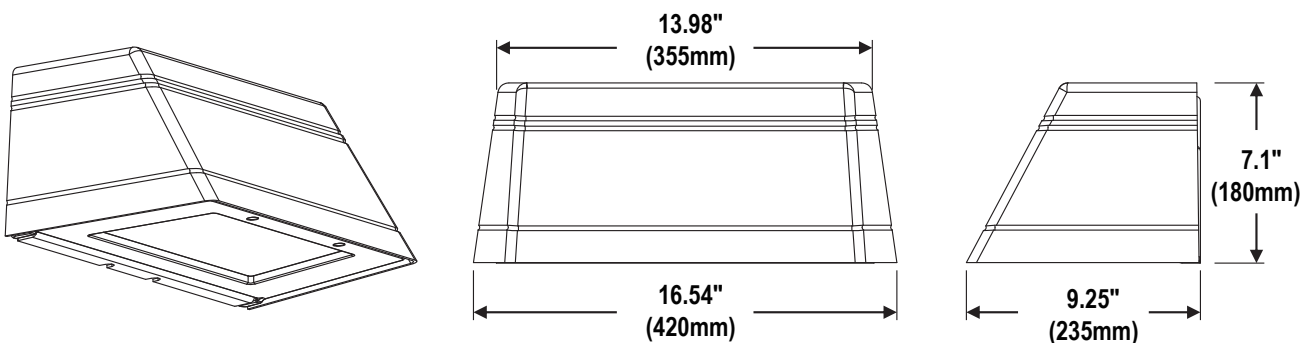
Working Temperature

-40 - 104°F (-40 - 40°C)

Certifications

- cUL listed
- Suitable for wet locations
- RoHs compliant

## DIMENSION



## Ordering Information

### Example: GRA-SP401-FT

Ref#: 20240112

Name	Watts	CCT	Voltage	- Control	- Distribution	- Finish
GRA	SP - 15W/30W /50W/70W selectable <sup>1</sup>	30 - 3000K	1-120-277V	Blank - None	FT - Forward Throw	Blank - Bronze
		40 - 4000K		PC - Photocontrol		
		50 - 5000K		MS - PIR Sensor <sup>2</sup> EBU - Emergency Battery Backup <sup>3</sup>		

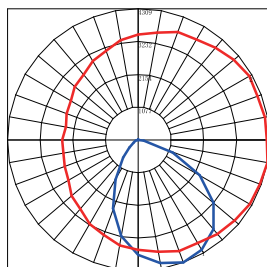
#### Notice:

- 70W is default setting.
- Mounting height is 40ft (12m) max. Please check the last page for more sensor setting information.
- Ambient working temperature for Emergency battery backup is 32°F -104°F (0 °C -40°C ).

\* Bronze finish is standard. Additional charges will apply for all the other colors. Please contact customer service for premium adder.

## PHOTOMETRY

All published luminaire photo metric testing performed to IESNA LM-79-08 standards by a NVLAP certified laboratory.



## PERFORMANCE DATA

### LUMEN OUTPUT

Lumen values are measured by third party certified laboratories performed in accordance with IESNA LM-79-08 as well as Lighting Facts listed.

Nominal Watts	Tested Watts	Lumen Output	AC Input 120V	CCT	CRI	LPW
15W	18W	1800	0.13A	4000K	>70	120
30W	33W	3600	0.25A	4000K	>70	120
50W	49W	6000	0.42A	4000K	>70	120
70W	68W	8100	0.60A	4000K	>70	123

## WARRANTY

Five year limited warranty.

**Note:** Specifications subject to change without notice.