



## EUNIKE GEN2 LED LUMINARIE



### PRODUCT DESCRIPTION

The Eunike GEN2 LED Luminaire brings architectural style to any area or site, impacting pedestrian-scale for improved comfort and security. Support the most popular mounting type such as single arm, twins arm, post top and side entry. Various precise optical lenses available. Tool-less maintenance and easy-to-install design.

### FEATURE

- Different mounting arms available
- Three CCT selectable
- 30%, 50%, 75% and 100% power selectable
- Efficiency up to 150LPW
- Various precise optical lenses
- Tool-less maintenance
- Compatible with NEMA socket

### ELECTRICAL SYSTEM

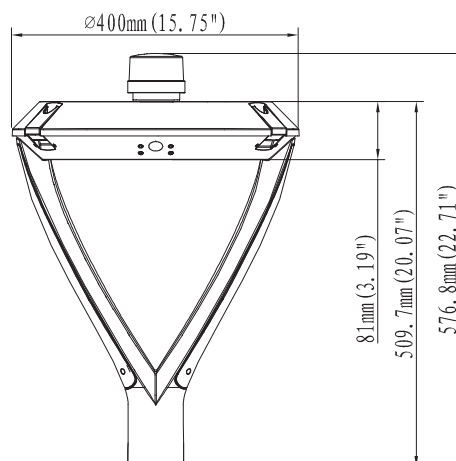
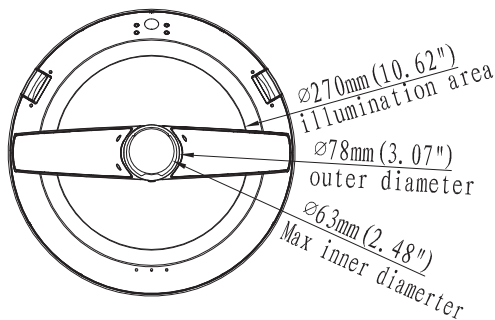
- Input Voltage: 120-277VAC, 50/60Hz
- 0-10V dimming
- Operating temperature range: -30-104 °F (-22-40 °C)
- Power Factor: > 0.9
- Total Harmonic Distortion: < 20% at full load
- 10kV surge suppression available

### SPECIFICATION

#### Twins Arm

Effective Projected Area (EPA): 0.11m<sup>2</sup>/1.15ft<sup>2</sup>

Net Weight for: 6.8±0.3kg (15.0± 0.66Lbs)



### PERFORMANCE

CRI

70+

CCT

3000K, 4000K, 5000K

Projected Lifetime

L70 - 100,000 Hours

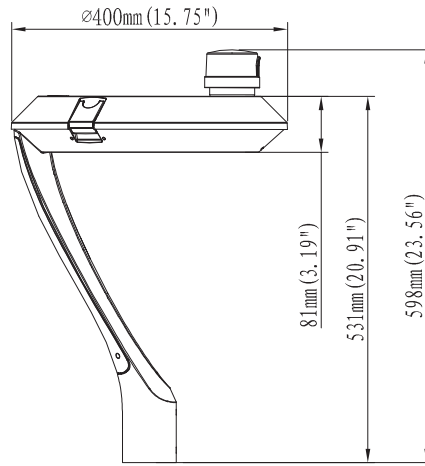
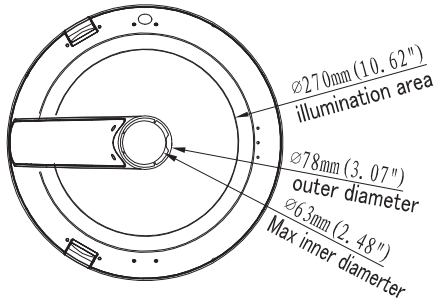
Working Temperature

-22-104°F (-30-40°C)

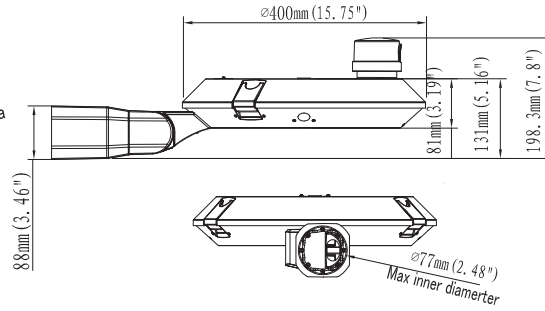
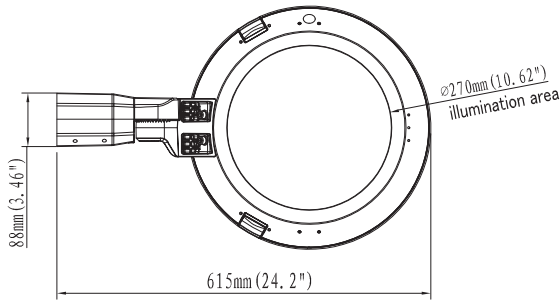
Certifications

- cETL Listed
- IP66 rated
- IK08 rated
- RoHS compliant

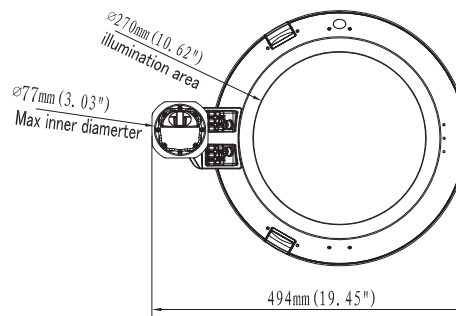
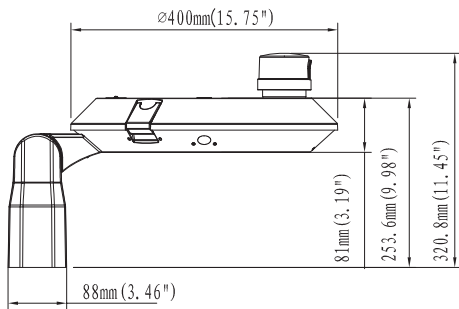
**Single Arm**



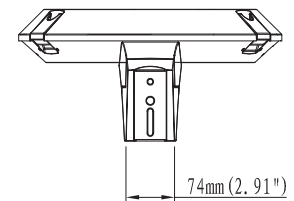
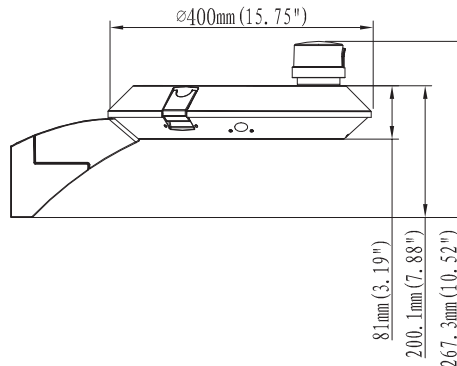
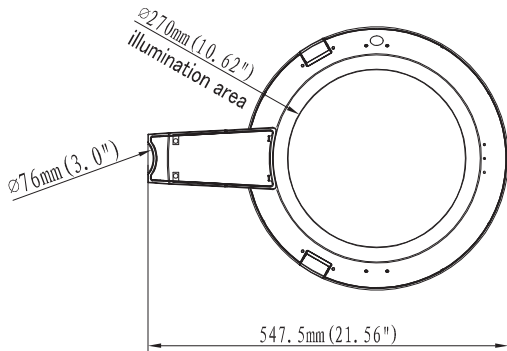
**Horizontal Slip Fitter Mount**



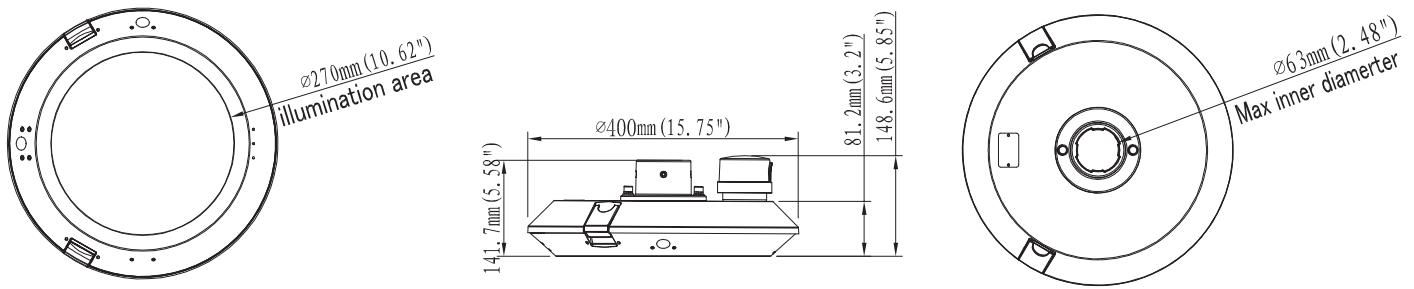
**Vertical Slip Fitter Mount**



**Side Arm**



## Gooseneck Mount



## Ordering Information

**Example:** EPT2-60SP-SW1-TAR-V

Name	- Watts	- CCT	Voltage	- Control	- Installation	- Distribution	- Lens	- Finish
EPT2	<b>60SP</b> - 60W Selectable <sup>1</sup>	<b>-SW</b> - 3000K/4000K 5000K selectable <sup>2</sup>	1-120-277V	<b>Blank</b> - None <b>PC</b> - Photoelectric Control <b>7P</b> - 7Pin PE Receptacle <sup>3</sup> <b>MSW</b> - Microwave Motion Sensor <sup>6</sup>	<b>- TAR</b> - Twins Arm <b>SAR</b> - Single Arm <b>SDAR</b> - Side Arm <b>SF</b> - Slip fitter for 2 3/8" to 3" pole <b>GM</b> - Gooseneck Mount Adapter <sup>7</sup>	<b>- II</b> - Type II <b>III</b> - Type III <b>IV</b> - Type IV <sup>4</sup> <b>V</b> - Type V <sup>5</sup>	<b>- Blank</b> - Glass Clear Lens	<b>Blank</b> - Bronze (RAL8019)

### Notice:

- 60W selectable is standard. 30%, 50%, 75% and 100% power selectable. 60W are default setting. If need other wattage, please change the setting in the field.
- 4000K is default setting. If need other CCT please change the setting in the field.
- Shorting cap included.
- Type IV is only for twins and single arm.
- Type V is only for side arm, slip fitter and gooseneck mount.
- Microwave dimming sensor for mounting height 40ft (12m) max. Different functions can be set by the remote controller AAL-RC-100.
- The gooseneck mount adapter is suitable for  $\Phi 2.48''$  (60mm) gooseneck pole. The gooseneck pole is customer supplied.

\* Standard Finish is Bronze. Custom colors might be available for an additional fee. Please check with Customer Service for more information.

## Accessories (Ordered separately & field installed)



**EPT-4RPA**  
4" OD Round Pole Adapter



**EPT-4SPA**  
4" Square Pole Adapter

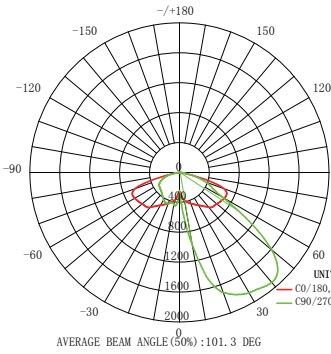


**AAL-RC-100**  
Remote control for sensor

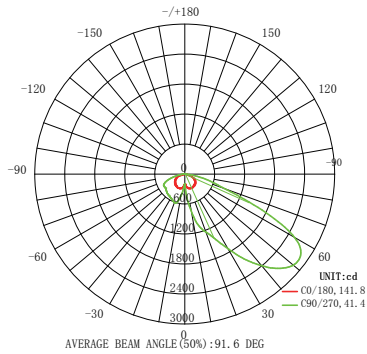
# PHOTOMETRY

All published luminaire photometric testing performed to IESNA LM-79-08 standards by a NVLAP certified laboratory.

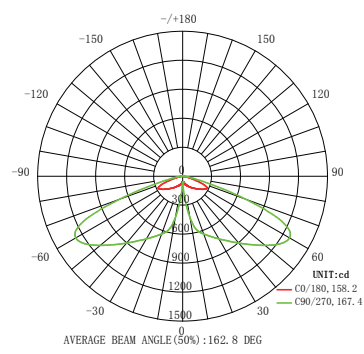
## For Twins Arm



Type II

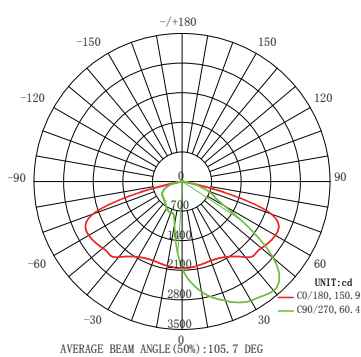


Type III

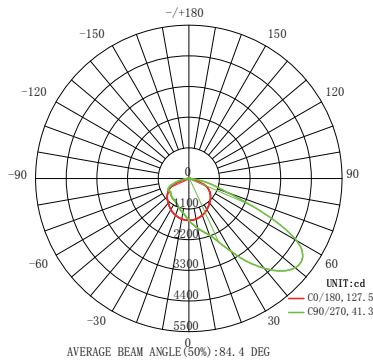


Type IV

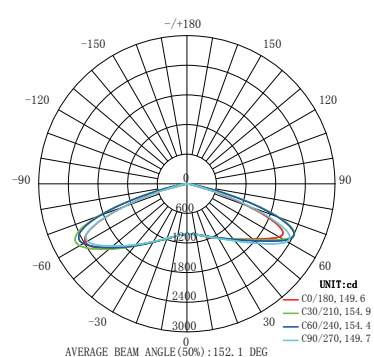
## For Side Arm/ Slip Fitter/ Gooseneck Mount



Type II



Type III



Type V

# PERFORMANCE DATA

## LUMEN OUTPUT

Lumen values are measured by third party certified laboratories performed in accordance with IESNA LM-79-08 as well as Lighting Facts listed.

### For Twins Arm

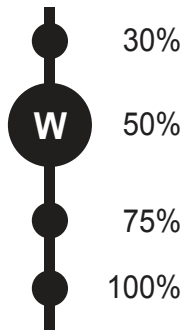
Nominal Watts	Measured Watts	Lumen Output	CCT	Dist. Type	CRI	LPW
30W	29W	3770lm	4000K	Type IV	>70	130
60W	58W	7540lm	4000K	Type IV	>70	130

### For Side Arm/ Slip Fitter/ Gooseneck Mount

Nominal Watts	Measured Watts	Lumen Output	CCT	Dist. Type	CRI	LPW
30W	30W	4620lm	4000K	Type V	>70	154
60W	58W	8870lm	4000K	Type V	>70	153

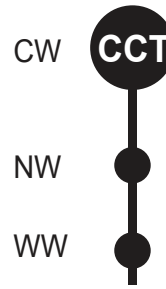
### For Singe Arm

Nominal Watts	Measured Watts	Lumen Output	CCT	Dist. Type	CRI	LPW
30W	30W	4170lm	4000K	Type IV	>70	139
60W	58W	8120lm	4000K	Type IV	>70	140



## Power Adjustable

100%、75%、50%、30% adjustable



## CCT Selectable

3000K, 4000K, 5000K adjustable



**Twins Arm Mount**



**Single Arm Mount**



**Vertical Slip Fitter Mount**



**Gooseneck Mount**

\* The gooseneck pole is customer supplied



**Side Arm Mount**



**Horizontal Slip Fitter Mount**

## DAYLIGHT HARVEST MICROWAVE SENSOR SETTING (ANT-9)

By selecting the combination on the DIP switch, sensor data can be precisely set for each specific application. The sensor setting also can be done by a remote control (RC-100) which need to be bought separately.

	1	2	
I	↓	↓	20%
II	↓	↑	50%
III	↑	↓	75%
IV	↑	↑	100%

### Sensitivity

Sensitivity can be reduced by selecting the combination on the DIP switches to fit precisely each application .


**Default Setting: 100%**

	3	4	
I	↓	↓	10 S
II	↓	↑	1 Min
III	↑	↓	5 Min
IV	↑	↑	15 Min

#### Hold time

Refers to the time period the lamp remains at 100% illumination after no motion detected.

**Default Setting: 1min**

	5	6	
I	↓	↓	
II	↓	↑	10 Lux
III	↑	↓	30 Lux
IV	↑	↑	50 Lux

#### Daylight sensor

The sensor can be set to only allow the lamp to illuminate below a defined ambient brightness threshold.

**Default Setting: 30 Lux**

	7	8	
I	↓	↓	0%
II	↓	↑	10%
III	↑	↓	30%
IV	↑	↑	50%

#### Stand-by dimming level

The low light level you would like to have after the hold time in the long absence of people.

**Default Setting: 30%**

	9	10	
I	↓	↓	+ ∞
II	↓	↑	1 Min
III	↑	↓	30 Min
IV	↑	↑	60 Min

#### Stand-by time

Refers to the time period the lamp remains at a low light level before it completely switches off in the long absence of people. When set to “+∞” mode, the low light is maintained until motion is detected

**Default Setting: +∞**

## Warranty

Five year limited warranty.

Specifications subject to change without notice.