



WWRP LED WRAPAROUND LIGHT

| | | |
|------------|-------|-------|
| 3500K | 4000K | 5000K |
| 30W | 35W | 40W |
| SELECTABLE | | |



PRODUCT DESCRIPTION

The WWRP led wraparound light with metal housing, wide and tree-side optical design provides widespread illumination. This cost effective LED utility wrap fixture provides high uniformity, excellent efficiency and reduced glare. Widely used for Indoor Excellent for Offices, Hallways, Multipurpose Rooms ,Office Buildings, Conference Rooms,super market, store and many other applications.

FEATURES

- Simple sheet iron design
- Wide and tree-side optical lens
- Wattage and CCT selectable
- Wired and wireless sensors available
- DLC 5.1 listed

ELECTRICAL SYSTEM

- Input Voltage: 120-277V, 50/60Hz
- Operating temperature range: -4-104°F (-20-40°C)
- Power Factor: > 0.9 at full load
- Total Harmonic Distortion: < 20% at full load

PERFORMANCE

CRI

80

CCT

3500K、 4000K、 5000K

Projected Lifetime

L70 - 100,000 Hours

Working Temperature

-4-104°F (-20-40°C)

Certifications

- cULus listed
- DLC 5.1 listed
- Dry location
- RoHS compliant

SPECIFICATION

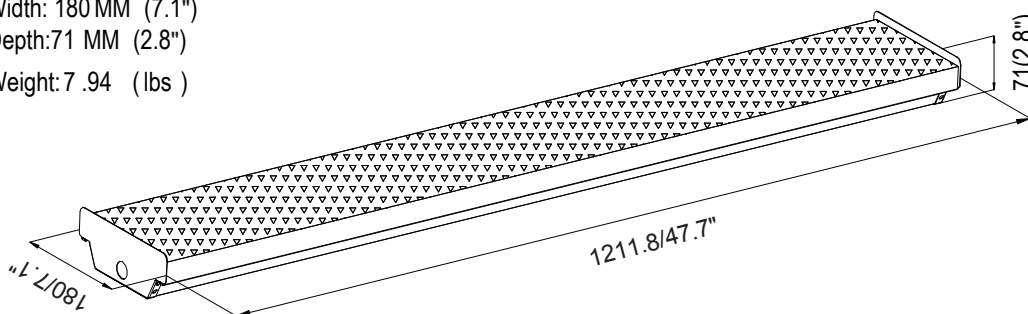
4FT

Length: 1211.8 MM (47.7")

Width: 180 MM (7.1")

Depth: 71 MM (2.8")

Weight: 7.94 (lbs)



Ordering Information

Example: WWRP12D-SP-SW1

| Name | Dimension | Dimmable | Watts | CCT | Voltage | Control |
|------|-----------|--------------------|--|--|--------------|---|
| WWRP | 12 - 4FT | D - 0-10V Dimmable | SP - Selectable Power 30W/35W/40W ¹ | SW - Selectable White 3500K/4000K/5000K ² | 1 - 120-277V | Blank - None EBU - Emergency battery backup ³ MSW - Microwave Dimming Sensor ⁴ Bluetooth Sensor ⁵ |

Notes:

- 40W is default setting, If need other wattage, please contact Customer Service in advance to change the setting in factory or change the setting in the field.
 - 4000K is default setting. If need other CCT please contact Customer Service in advance to change the setting in factory or change the setting in the field.
 - The 15W Emergency battery back-up is for ambient temperatures of 32°F-104°F(0 °C-40°C). The emergency test button is pre- installed on the fixture. If a remote test switch is needed, please contact customer service.
 - Microwave dimming sensor is for mounting height of 12ft Max.. Different sensor settings can be done by the remote controller of AAL-RC-100.
 - Bluetooth Sensor is available as a separate accessory and need to be installed in field.
- * White finish is standard. Additional charge will apply for optional finish.

Accessories (Optional)

AAL-EFS104-B1

Passive Infrared (PIR) Occupancy Sensor with Bluetooth Mesh Feature



HBL1

360° High Bay Lens, for AAL-EFS104-B1



HBL3

360° High Bay Lens, for AAL-EFS104-B1 (more detected points)



AAL-RC-100

Remote control for microwave dimming sensor



Bluetooth PIR Motion Sensor

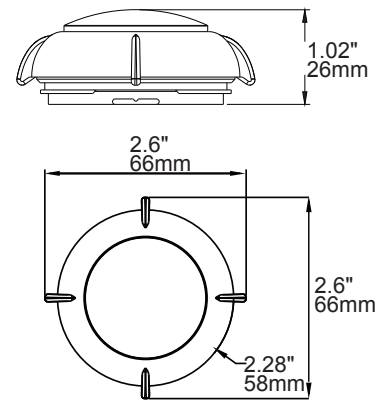
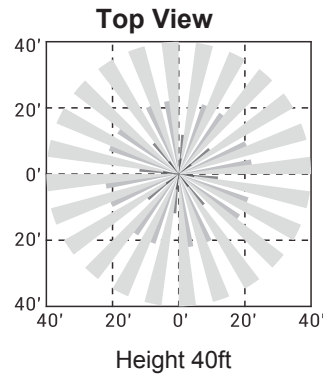
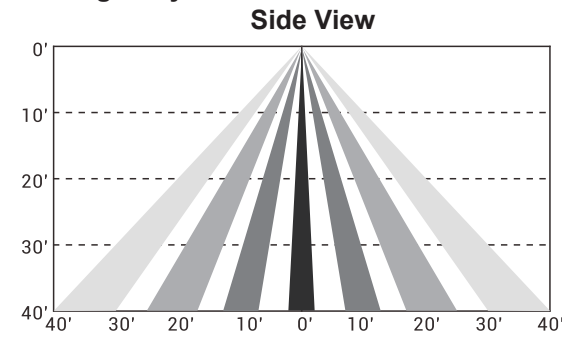


| MODEL | DESCRIPTION |
|---------------|--|
| AAL-EFS104-B1 | External Bluetooth Network Wireless High Bay Sensor and Fixture Controller |
| HBL1 | HB1 High Bay Lens |
| HBL3 | HB3 High Bay Lens |

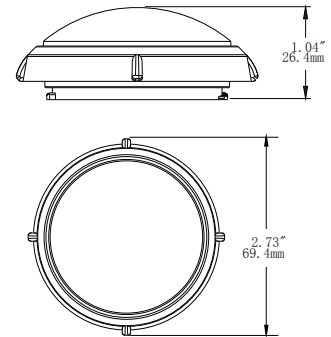
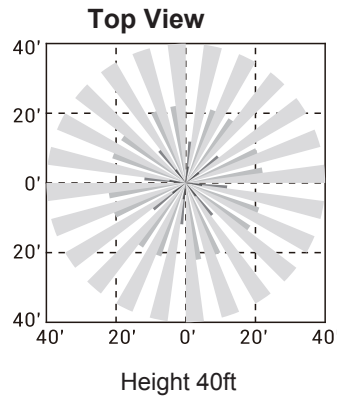
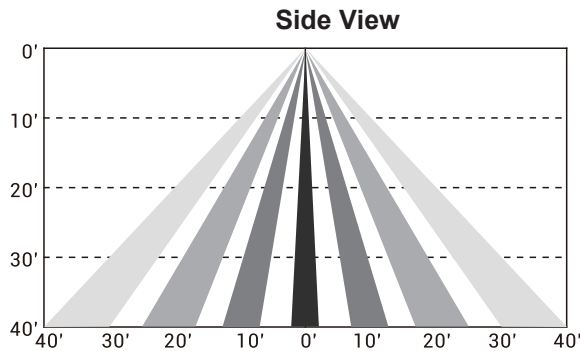
Detection Area

Unit:inch/mm

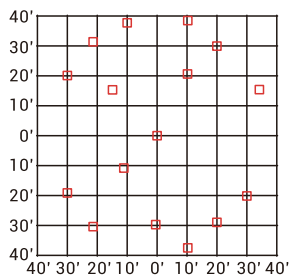
HB1 High Bay Lens



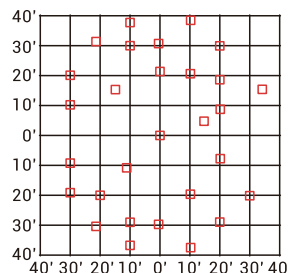
HB3 High Bay Lens



Detecting Spots For Ref



HB1 Lens



HB3 Lens
(more detected points)

PERFORMANCE DATA

LUMEN OUTPUT

Lumen values are measured by third party certified laboratories performed in accordance with IESNA LM-79-08 as well as Lighting Facts listed.

| Watts | Size | Nominal Lumen | CCT | CRI | LPW |
|-------|------|---------------|-------|-----|-----|
| 30W | 4FT | 4110lm | 4000K | >80 | 137 |
| 35W | 4FT | 4690lm | 4000K | >80 | 134 |
| 40W | 4FT | 5240lm | 4000K | >80 | 131 |

Lumen Ambient Temperature (LAT) Multipliers

Use these factors to determine relative lumen output for average ambient temperature from -4-104°F (-20-40°C).

| Ambient | | Multiplier |
|---------|------------|------------|
| Celsius | Fahrenheit | |
| 0 | 32 | 1.02 |
| 10 | 50 | 1.01 |
| 20 | 68 | 1.00 |
| 25 | 77 | 1.00 |
| 30 | 86 | 1.00 |
| 40 | 104 | 0.99 |

Ref#: 20240516

Warranty

Five year limited warranty.

Note:

Specifications subject to change without notice.