

## SLENDER RECESSED MOUNT LINEAR



### PRODUCT DESCRIPTION

The Slender Linear Panel light features popular 4", 6" width and length up to 8'. It provides powerful lines in any applications. Wattage adjustable and CCT selectable technology. Edge-lit with a light guide for soft illumination. It works with most ceiling types which will be your go-to-choice for offices, schools, hospital, corridor light industrial spaces or anywhere stylish lines of light are desired.

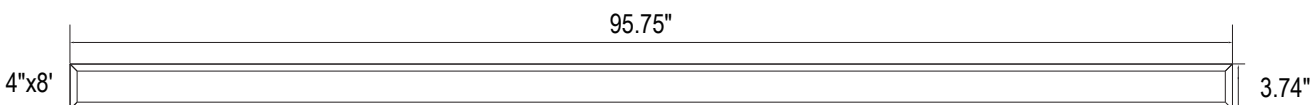
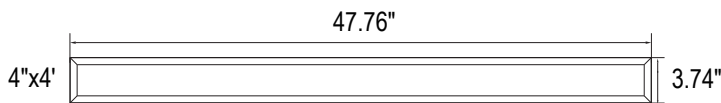
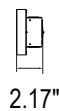
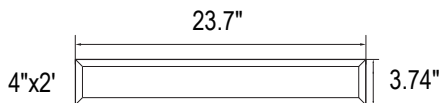
### FEATURES

- Slim and linear design
- 2ft, 4ft and 8ft lengths available
- Available in 4", 6" width
- Wattage adjustable (50%/75%/100%)
- 3000K, 3500K and 4000K selectable

### ELECTRICAL SYSTEM

- Input Voltage: 120-277V, 50/60Hz
- Operating temperature range: -4-104°F (-20-40°C)
- Power Factor: > 0.9 at full load
- Total Harmonic Distortion: < 20% at full load

### SPECIFICATION



### PERFORMANCE

CRI

80

CCT

3000K, 3500K, 4000K

Dimming

1-10V Dimming

Projected Lifetime

L70 - 100,000 Hours

Working Temperature

-4-104°F (-20-40°C)

Certifications

- cULus conforms to UL Std. 1598Cert. to CSA Std. C22.2 No.250.0
- Suitable for dry locations
- RoHS compliant



## Accessories (ordered separately and field installed)



### SLPL4-06-Flange Kit

Flange kits for 4" x2'

### SLPL4-12-Flange Kit

Flange kits for 4" x4'

### SLPL4-24-Flange Kit

Flange kits for 4" x8'

### SLPL6-06-Flange Kit

Flange kits for 6" x2'

### SLPL6-12-Flange Kit

Flange kits for 6" x4'

### SLPL6-24-Flange Kit

Flange kits for 6" x8'



### EBU-H08170

8W Emergency Battery  
Back-up for MAX.60W fixture

### EBU-H25170

25W Emergency Battery  
Back-up for MAX.200W fixture

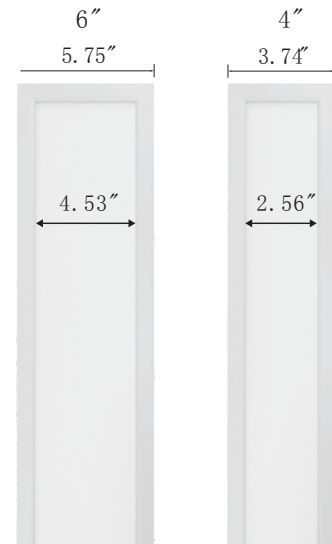
\* Emergency battery back-up is for ambient temperatures of 32°F -95°F (0 °C -35°C ).

\* Flange kits are only for dry ceiling recessed mount.

## PERFORMANCE DATA

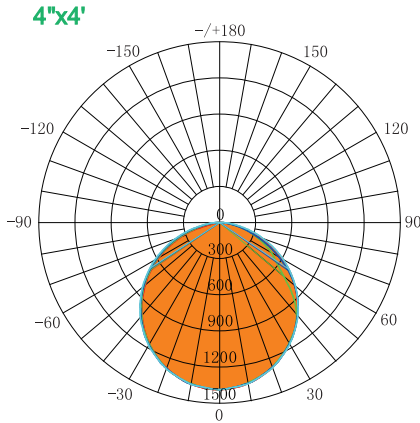
Lumen values are measured by third party certified laboratories performed in accordance with IESNA LM-79-08 as well as Lighting Facts listed.

Lengths	2FT	4FT	8FT
Width	4"/6"	4"/6"	4"/6"
Wattage	20W selectable	40W selectable	80W selectable
Voltage	120-277V	120-277V	120-277V
Efficacy	100lm/w @ 3500K	100lm/w @ 3500K	100lm/w @ 3500K
Lumen Output	2000lm @ 3500K	4000lm @ 3500K	8000lm @ 3500K



# PHOTOMETRY

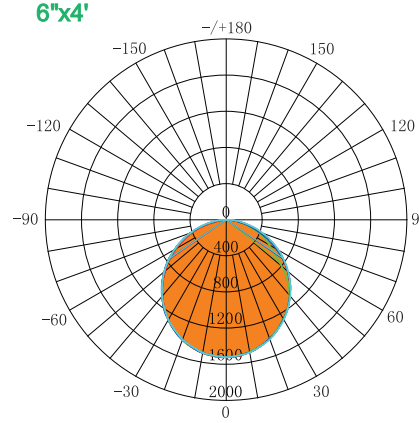
All published luminaire photo metric testing performed to IESNA LM-79-08 standards by a NVLAP certified laboratory. IESNA LM-79-08 specifies the entire luminaire as the source resulting in a fixture efficiency of 100%. Result may vary per actual order.



AVERAGE BEAM ANGLE (50%): 110.2 °

Lumens: 3773.4 Lm  
Watts: 40 W  
LPW: 94.34 Lm/W  
CCT: 3500K

UNIT :cd  
— C0 /180,111.1°  
— C30 /210,105.7°  
— C60 /240,111.3°  
— C90 /270,112.8°



AVERAGE BEAM ANGLE (50%): 110.2 °

Lumens: 4180.4 Lm  
Watts: 40 W  
LPW: 104.51 Lm/W  
CCT: 3500K

UNIT :cd  
— C0 /180,110.8°  
— C30 /210,107.0°  
— C60 /240,111.2°  
— C90 /270,111.8°

## Warranty

Five year limited warranty. Full warranty terms located at [www.abovealllighting.com/warrantystatements](http://www.abovealllighting.com/warrantystatements).

## Note:

Specifications subject to change without notice.