



(VRD) Vicky Ring Downward Light Acoustic Light



PRODUCT DESCRIPTION

The Vicky Ring light is a unique ring style light with an LED light source illuminating downward. It is available in sizes ranging from 23.6" (dia.) up to 196.9" (dia.). This design features aluminum body construction and an optional acoustic system that maximizes surface area to absorb sound waves and improve harmony in the installed space, providing a perfect integration of lighting and acoustic control.

FEATURE

- Fixtures in diameters from 23.6" through 196.9"
- Available in standard light and acoustic w/light.
- Direct illuminating
- 30+ acoustic felt colors available

ELECTRICAL SYSTEM

- Input Voltage: 120-277V, 50/60Hz
- 0-10V Dimming standard
- Minimum Ambient -20°C, Maximum Ambient is 40°C
Power Factor: > 0.9 at full load
- Total Harmonic Distortion: < 20% at full load

SPECIFICATION

Cable and wire cord length: 59" (1.5m)

PERFORMANCE

CRI

90

CCT

3000K, 3500K, 4000K, 5000K

Dimming

0-10V Dimming Standard

Projected Lifetime

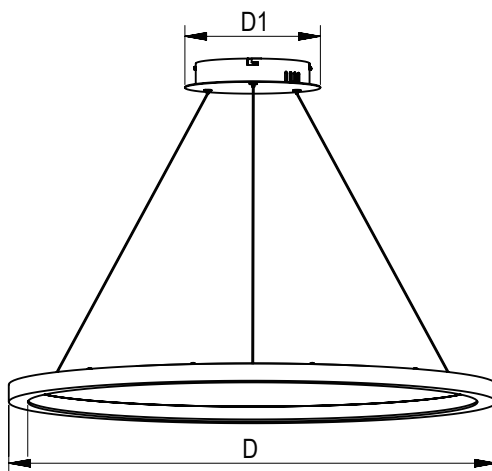
L70 - 100,000 Hours

Working Temperature

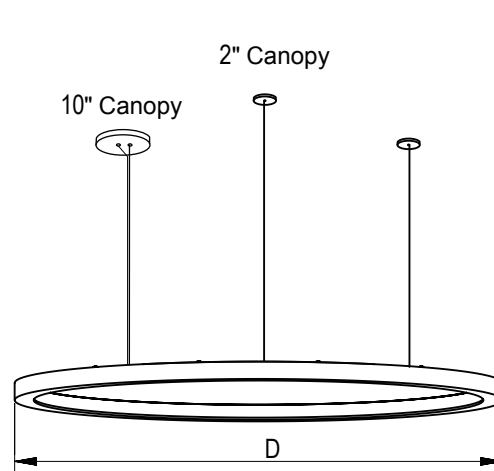
-4-104°F (-20-40°C)

Certifications

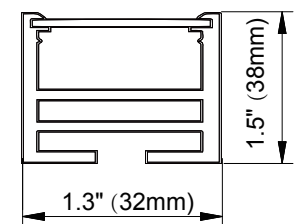
- cETLus conforms to UL Std. 1598
Cert. to CSA Std. G22.2 No.250.0
- Suitable for dry locations
- RoHs compliant



Central Canopy Suspended



Direct Suspended



Section

DIMENSION		Driver Quantity	Section Quantity	Wattage
D	D1			
23.6"(600mm)	10.0"(250mm)	1	1	40W
35.4"(900mm)	10.0"(250mm)	1	1	50W
47.2"(1200mm)	10.0"(250mm)	2	1	80W
59.1"(1500mm)	10.0"(250mm)	2	1	100W
78.8"(2000mm)	14.0"(350mm)	3	3	120W
98.4"(2500mm)	14.0"(350mm)	4	4	160W
118.1"(3000mm)	18.0"(450mm)	5	5	200W
157.5"(4000mm)	20.0"(500mm)	6	6	300W
196.9"(5000mm)	20.0"(500mm)	12	6	400W

Ordering Information

Example: VR D - / - 4024 - 40 90 1 - ACPMK - / - WH - NSAC-021 130

1 2 3 4 5 6 7 8 9 10 11

1. Series

VR - Vicky Ring

2. Light Emitting

D - Downward Light

3. Acoustic Configuration

Blank- Light without Acoustic **LA** - Light with Acoustic

* If choose Acoustic, please choose the acoustic color in the following list. Acoustic is not available for 100W, 120W, 160W, 200W, 300W and 400W.

4. Watts/Diameter

- | | |
|---|---|
| <input type="checkbox"/> 4024 - 40W/φ23.6" | <input type="checkbox"/> 16098 - 160W/φ98.4" |
| <input type="checkbox"/> 5035 - 50W/φ35.4" | <input type="checkbox"/> 200118 - 200W/φ118.1" |
| <input type="checkbox"/> 8047 - 80W/φ47.2" | <input type="checkbox"/> 300158 - 300W/φ157.5" |
| <input type="checkbox"/> 10059 - 100W/φ59.1" | <input type="checkbox"/> 400197 - 400W/φ196.9" |
| <input type="checkbox"/> 12079 - 120W/φ78.8" | |

Notes;

- Acoustic is not available for 100W, 120W, 160W, 200W, 300W and 400W.
- 120W, 160W, 200W, 300W and 400W are shipped in sections and need to be installed in the field.

5. CCT

- 30 - 3000K
- 35 - 3500K
- 40 - 4000K
- 50 - 5000K

6. CRI

- 90 - 90Ra

7. Voltage

- 1 - 120-277V

8. Installation

- ACPMK** - Aircraft Cable Pendant Mount Kits*
- SMK** - Surface Mount Kits

* Centural canopy pendant is standard for 40W/50W/80W/100W.
Direct suspended is standard for 120W/160W/200W/300W/400W.

9. Controls

- Blank** - None

10. Frame Finish

- WH** - White

* White finish frame is standard. Custom colors might be available for an additional fee. Please check with Customer Service for more information.

11. Acoustic Color

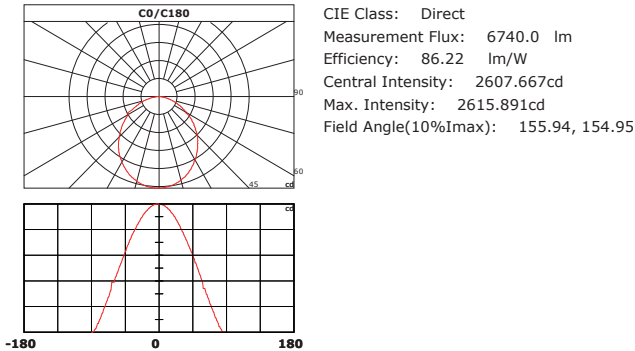


* There will be slight differences between the color of the acoustic image and the actual fabric because of computer display defects.

* The standard acoustic colors include: NSAC-021 130, NSAC-042 146, NSAC-028 110, NSAC-002 122, NSAC-033 103. Other acoustic colors might be available for an additional fee. Please check with Customer Service for more information.

PHOTOMETRY

All published luminaire photo metric testing performed to IESNA LM-79-08 standards by a NVLAP certified laboratory. IESNA LM-79-08 specifies the entire luminaire as the source resulting in a fixture efficiency of 100%. Result may vary per actual order.



CIE Class: Direct
 Measurement Flux: 6740.0 lm
 Efficiency: 86.22 lm/W
 Central Intensity: 2607.667cd
 Max. Intensity: 2615.891cd
 Field Angle(10%Imax): 155.94, 154.95

PERFORMANCE DATA

Lumen values are measured by third party certified laboratories performed in accordance with IESNA LM-79-08 as well as Lighting Facts listed.

Watts	Lumen Output	AC Input 120V	CCT	CRI	LPW
40	3400	0.33A	4000K	90	85
50	4250	0.42A	4000K	90	85
80	6800	0.67A	4000K	90	85
100	8500	0.83A	4000K	90	85
120	10200	1.00A	4000K	90	85
160	13600	1.33A	4000K	90	85
200	17000	1.67A	4000K	90	85
300	25500	2.50A	4000K	90	85
400	34000	3.33A	4000K	90	85

Note:

1. The lumen output is for the fixture without acoustic. The data for acoustic may vary based on different acoustic fiber colors. Please contact Customer Service if need the lumen output for acoustic version.
2. Lumen outputs for 100W/120W/160W/200W/300W/400W are calculated.

Warranty

Five year limited warranty.

Notes: Specifications subject to change without notice.