



(VRUD) Vicky Ring Up & Downward Light



PRODUCT DESCRIPTION

The Vicky Ring light is a unique ring style light with an LED light source illuminating up and downward. It is available in sizes ranging from 23.6"(dia.) up to 196.9"(dia.). Aluminum body constructions. A versatile architectural lighting solution, available as pendant mount. Optional acoustic system that maximizes surface area to absorb sound waves and improve harmony in the installed space, providing a perfect integration of lighting and acoustic control.

FEATURE

- Fixtures in diameters from 23.6" through 196.9"
- Direct and indirect illuminating
- Available in standard light and acoustic w/light.
- 30+ acoustic felt colors available

ELECTRICAL SYSTEM

- Input Voltage: 120-277V, 50/60Hz
- 0-10V Dimming standard
- Minimum Ambient -20°C, Maximum Ambient is 40°C
- Power Factor: > 0.9 at full load
- Total Harmonic Distortion: < 20% at full load

PERFORMANCE

CRI

90

CCT

3000K, 3500K, 4000K, 5000K

Dimming

0-10V Dimming Standard

Projected Lifetime

L70 - 100,000 Hours

Working Temperature

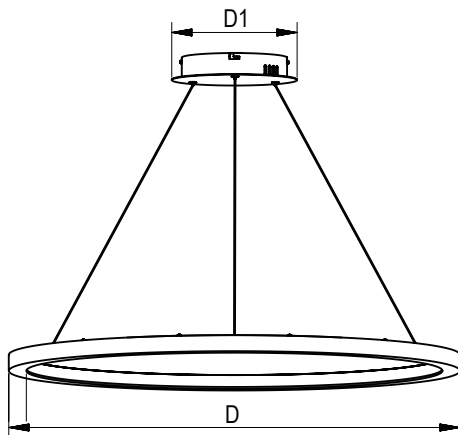
-4-104°F (-20-40°C)

Certifications

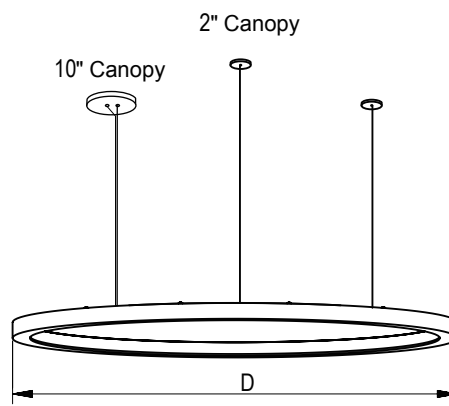
- cETLus conforms to UL Std. 1598
Cert. to CSA Std. C22.2 No.250.0
- Suitable for dry locations
- RoHs compliant

SPECIFICATION

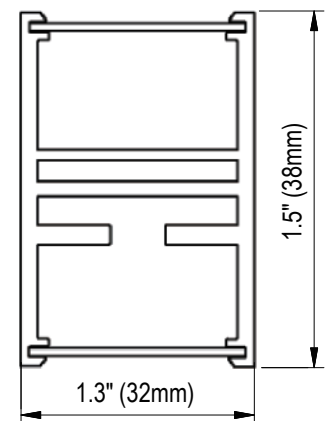
Cable and wire cord length: 59" (1.5m)



Central Canopy Suspended



Direct Suspended



Section

Centural Canopy Suspended

DIMENSION		Driver Quantity	Section Quantity	Wattage
D	D1			
23.6"(600mm)	10.0"(250mm)	2	1	65W
35.4"(900mm)	10.0"(250mm)	2	1	80W
47.2"(1200mm)	13.8"(350mm)	3	1	120W
59.1"(1500mm)	13.8"(350mm)	3	1	135W
78.8"(2000mm)	17.7"(450mm)	4	3	150W
98.4"(2500mm)	17.7"(450mm)	5	4	200W
118.1"(3000mm)	18.0"(450mm)	7	5	300W
157.5"(4000mm)	23.6"(600mm)	8	6	400W
196.9"(5000mm)	23.6"(600mm)	14	6	480W

Ordering Information

Example: VR UD - / - 6524 - 40 90 1 - ACPMK - / - WH - NSAC-021 130

1 2 3 4 5 6 7 8 9 10 11

1. Series

VR - Vicky Ring

2. Light Emitting

UD - Up and Downward Light

3. Acoustic Configuration

Blank- Light without Acoustic **LA** - Light with Acoustic

* If choose Acoustic, please choose the acoustic color in the following list. Acoustic is not available for 135W, 150W, 200W, 300W, 400W and 480W.

4. Watts/Diameter

- | | |
|---|---|
| <input type="checkbox"/> 6524 - 65W/φ23.6" | <input type="checkbox"/> 20098 - 200W/φ98.4" |
| <input type="checkbox"/> 8035 - 80W/φ35.4" | <input type="checkbox"/> 300118 - 300W/φ118.1" |
| <input type="checkbox"/> 12047 - 120W/φ47.2" | <input type="checkbox"/> 400158 - 400W/φ157.5" |
| <input type="checkbox"/> 13559 - 135W/φ59.1" | <input type="checkbox"/> 480197 - 480W/φ196.9" |
| <input type="checkbox"/> 15079 - 150W/φ78.8" | |

Notes;

1. Acoustic is not available for 135W, 150W, 200W, 300W 400W and 480W.
2. 135W, 150W, 200W, 300W, 400W and 480W are shipped in sections and need to be installed in the field.

5. CCT

- 30 - 3000K
- 35 - 3500K
- 40 - 4000K
- 50 - 5000K

6. CRI

- 90 - 90Ra

7. Voltage

- 1 - 120-277V

8. Installation

- ACPMK** - Aircraft Cable
Pendant Mount Kits*

* Centural canopy pendant is standard for 65W/80W/120W/135W.
Direct suspended is standard for 150W/200W/300W/400W/480W.

9. Controls

- Blank** - None

10. Frame Finish

- WH** - White

* White finish is standard. Additional charges will apply for all the other colors.
Please contact customer service for premium adder.

11. Acoustic Color

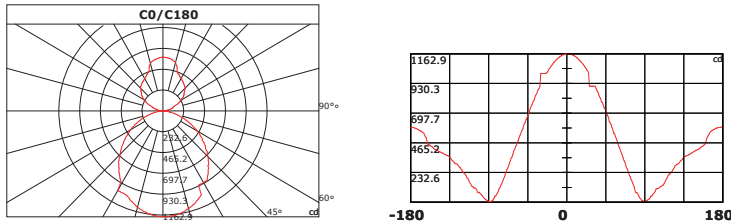


* There will be slight differences between the color of the acoustic image and the actual fabric because of computer display defects.

* The standard acoustic colors include: NSAC-021 130, NSAC-042 146, NSAC-028 110, NSAC-002 122, NSAC-033 103. Other acoustic colors might be available for an additional fee. Please check with Customer Service for more information.

PHOTOMETRY

All published luminaire photo metric testing performed to IESNA LM-79-08 standards by a NVLAP certified laboratory. IESNA LM-79-08 specifies the entire luminaire as the source resulting in a fixture efficiency of 100%. Result may vary per actual order.



PERFORMANCE DATA

Lumen values are measured by third party certified laboratories performed in accordance with IESNA LM-79-08 as well as Lighting Facts listed.

Watts	Direct Lumen/Watts	Indirect Lumen/Watts	AC Input 120V	CCT	CRI	LPW
65	3400lm/40W	2100lm/25W	0.54A	4000K	90	85
80	4760lm/56W	2000lm/24W	0.67A	4000K	90	85
120	7140lm/84W	3060lm/36W	1.00A	4000K	90	85
135	7650lm/90W	3800lm/45W	1.13A	4000K	90	85
150	8900lm/105W	3800lm/45W	1.25A	4000K	90	85
200	12750lm/150W	4250lm/50W	1.67A	4000K	90	85
300	17800lm/210W	7650lm/90W	2.50A	4000K	90	85
400	25500lm/300W	8500lm/100W	3.33A	4000K	90	85
480	28560lm/336W	12200lm/144W	4.00A	4000K	90	85

Note: Lumen outputs for 120W/135W/150W/200W/300W/400W/480W are calculated.

Warranty

Five year limited warranty.

Notes: Specifications subject to change without notice.