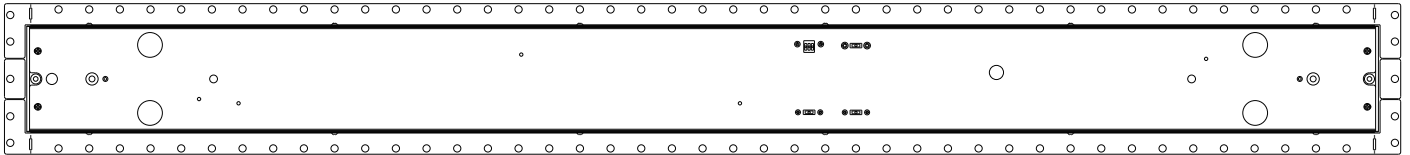


⚠ RISK OF FIRE AND ELECTRICAL SHOCK. FIXTURE MUST BE INSTALLED BY A QUALIFIED ELECTRICIAN ONLY IN ACCORDANCE WITH NATIONAL, LOCAL BUILDING AND ELECTRICAL CODES. DISCONNECT POWER AT ELECTRICAL PANEL BEFORE SERVICING.

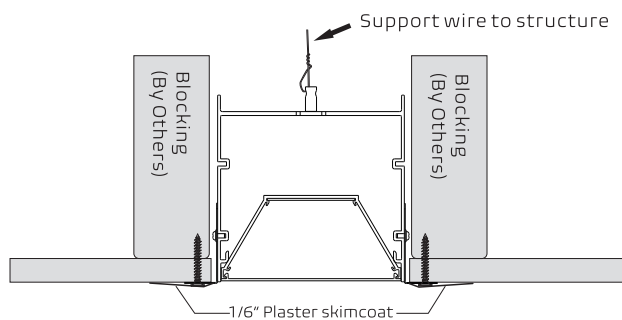
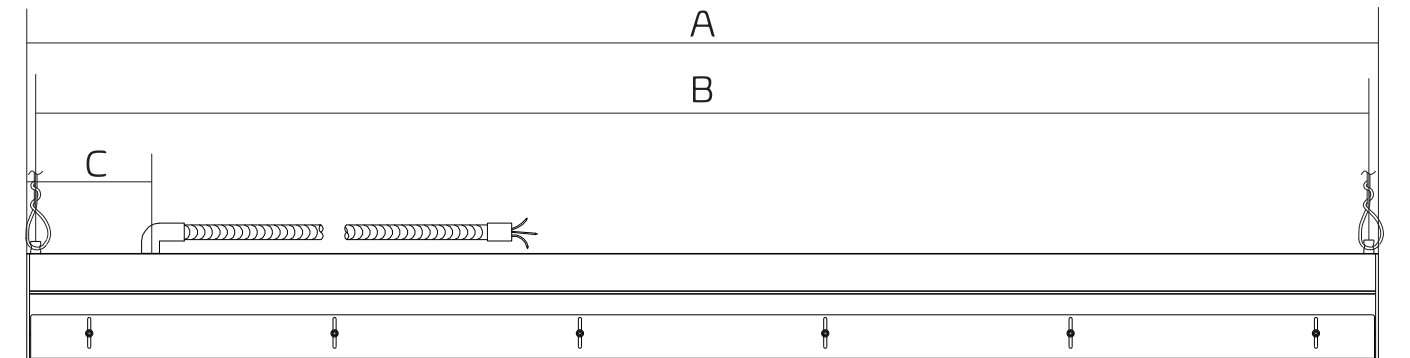
Drywall

Trimless

Top View



Side View



FRAMING REQUIRED ON BOTH SIDES OF HOUSING

*Dry ceiling suspension cables must be installed before installing ceiling.

DRY CEILING AND GRID CEILING - DIMENSIONS				
Nominal Length	"A"	"B"	"C"	
	Housing Length	Wire Rope	Feed Location	
	Feet	Feet	2.3" Width Linear	3.8" Width Linear
2 ft.	1.98'	1.92'	3.58"	4.33"
3 ft.	2.98'	2.94'	3.58"	4.33"
4 ft.	3.98'	3.94'	3.58"	4.33"
8 ft.	7.96'	7.90'	3.58"	4.33"

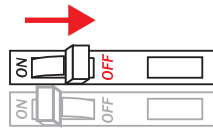
⚠ RISK OF FIRE AND ELECTRICAL SHOCK. FIXTURE MUST BE INSTALLED BY A QUALIFIED ELECTRICIAN ONLY IN ACCORDANCE WITH NATIONAL, LOCAL BUILDING AND ELECTRICAL CODES. DISCONNECT POWER AT ELECTRICAL PANEL BEFORE SERVICING.

IMPORTANT

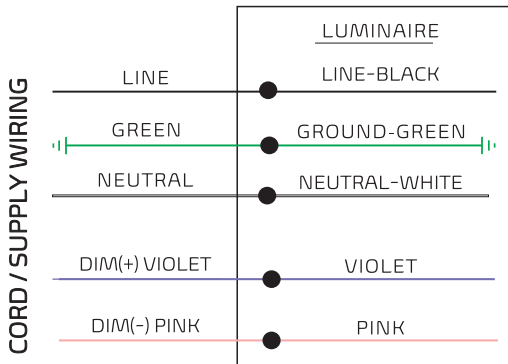
1. Read all instructions.
2. Install in accordance with national and local electrical code regulations.
3. This product is intended to be installed and serviced by a qualified, licensed electrician.
4. Do not install in wet locations. For dry and damp use only.
5. Turn off electrical power before installing or servicing fixture in any way.
6. To reduce the risk of fire and overheating, make sure all connections are tight.
7. Under no circumstances can the lighting fixture be covered with heat insulation gasket or similar materials.
8. The maximum connection of each input line is 40FT in 120AC, 100FT in 277AC.

SHOCK HAZARD

⚡ May result in serious injury or death. Turn power OFF at circuit breaker prior to installation or servicing.



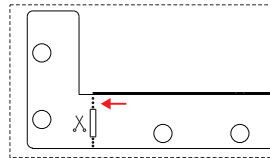
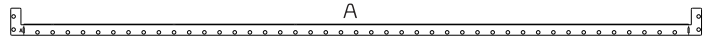
WIRING



⚠ Please isolate two dimming wires by P2 terminal individually if no need dimming; Must connect wires with corresponding colors as shown.

PARTS LISTS

MUD-IN DRYWALL



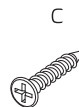
Trimless Drywall Flange Kit

According to the length of the fixture and whether it is continuous runs, cut the plaster plate according to the tips. No need to cut if individual installation of 2ft,3ft and 4ft luminaire.



Screws

Screws to fix the drywall flange kit to housing



Screws

Screws to fix the drywall flange kit to drywall



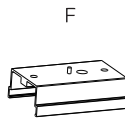
PC Diffuser

Optional continuous rolling lens which can reach seamless continue runs up to 42' is available.

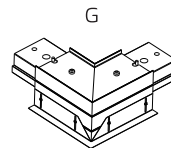


Silicone Seal

Note: Silicone seal is used to seal seams that may appear at both ends of luminaires when multiple connections.



"U" Joiner



"L" Joiner



Safety Stud

⚠ RISK OF FIRE AND ELECTRICAL SHOCK. FIXTURE MUST BE INSTALLED BY A QUALIFIED ELECTRICIAN ONLY IN ACCORDANCE WITH NATIONAL, LOCAL BUILDING AND ELECTRICAL CODES. DISCONNECT POWER AT ELECTRICAL PANEL BEFORE SERVICING.

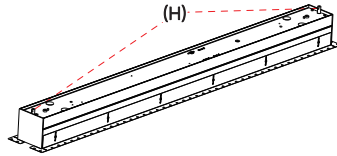
BEFORE CONNECTING

INDEPENDENT INSTALLATION

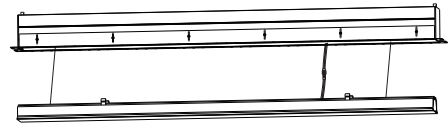
① Install end caps as shown.



② Install drywall flange kit (A) and safety stud (H) as shown

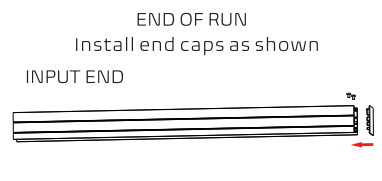
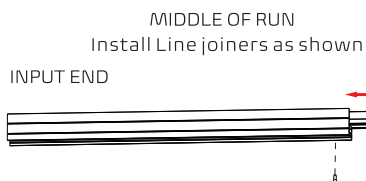
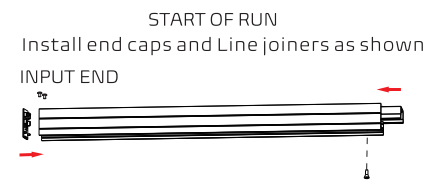


③ Secure the LED modules with aircraft cable and connect the DC male and female terminals

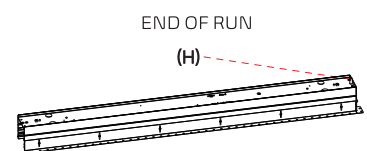
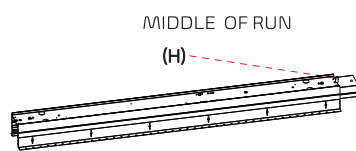
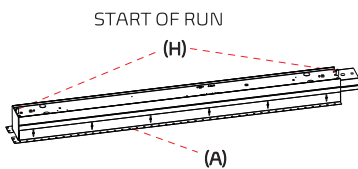


MULTIPLE LUMINAIRES CONNECTION – LINE CONNECTION

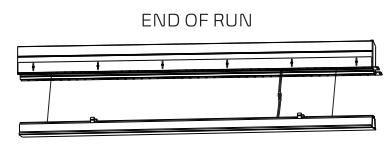
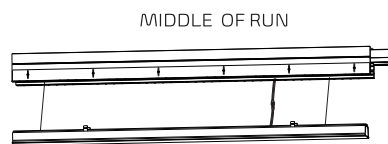
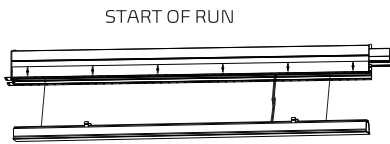
① Install end caps and line joiners



② Install drywall flange kit (A) and safety stud (H) as shown

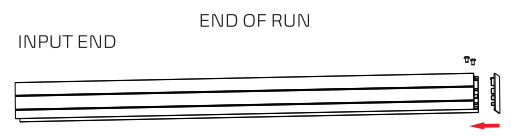
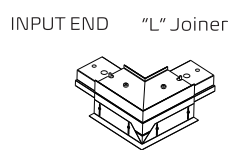
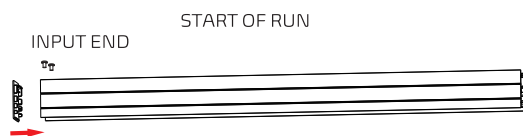


③ Secure the LED modules with aircraft cable and connect the DC male and female terminals

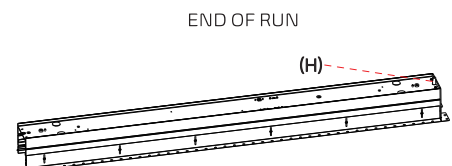
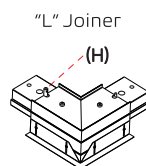
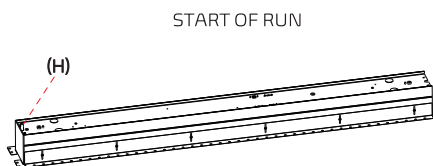


MULTIPLE LUMINAIRES CONNECTION – L SHAPE CONNECTION

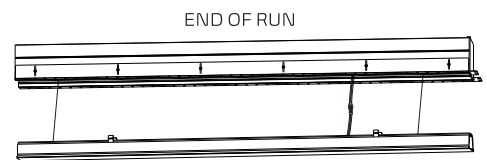
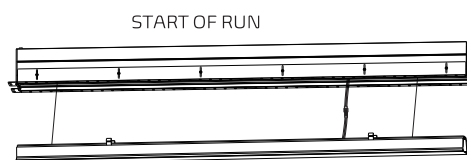
① Install the end caps



② Install drywall flange kit (A) and safety stud (H) as shown

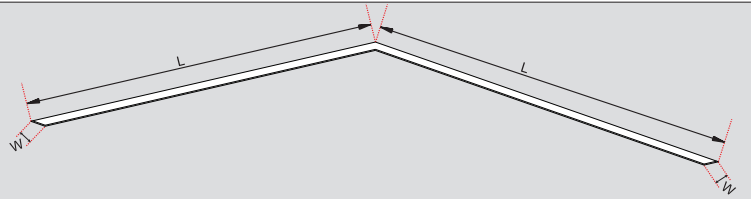


③ Secure the LED modules with aircraft cable and connect the DC male and female terminals



⚠ RISK OF FIRE AND ELECTRICAL SHOCK. FIXTURE MUST BE INSTALLED BY A QUALIFIED ELECTRICIAN ONLY IN ACCORDANCE WITH NATIONAL, LOCAL BUILDING AND ELECTRICAL CODES. DISCONNECT POWER AT ELECTRICAL PANEL BEFORE SERVICING.

1 Drill a hole in the ceiling



Drill a hole in the ceiling according to the following size:

1. INDIVIDUAL INSTALLATION:

- | | |
|---|---|
| ① 2FT: L23.78" X W2.72" (2.3" Width Linear)
L23.78" X W4.12" (3.8" Width Linear) | ③ 4FT: L47.80" X W2.72" (2.3" Width Linear)
L47.80" X W4.12" (3.8" Width Linear) |
| ② 3FT: L35.79" X W2.72" (2.3" Width Linear)
L35.79" X W4.12" (3.8" Width Linear) | ④ 8FT: L95.36" X W2.72" (2.3" Width Linear)
L95.36" X W4.12" (3.8" Width Linear) |

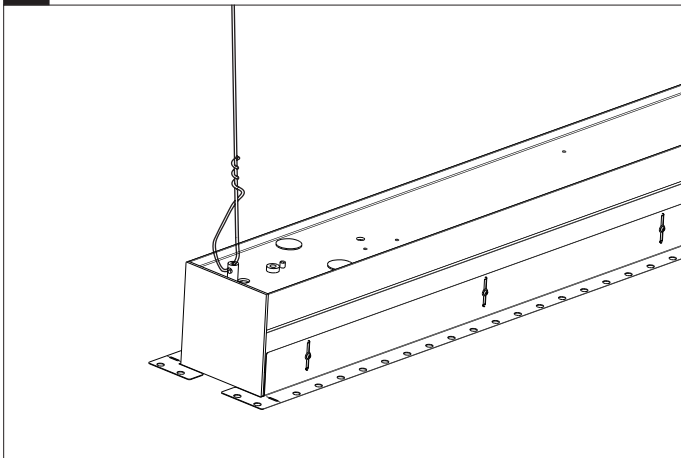
2. MULTIPLE LUMINAIRES CONNECTION – LINE :

- ① 2FT: L23.78" X W2.72" (2.3" Width Linear)
L23.78" X W4.12" (3.8" Width Linear)
When continuous runs, each additional 2FT fixture, increase the length by 23.51".
- ② 3FT: L35.79" X W2.72" (2.3" Width Linear)
L35.79" X W4.12" (3.8" Width Linear)
When continuous runs, each additional 3FT fixture, increase the length by 35.51".
- ③ 4FT: L47.80" X W2.72" (2.3" Width Linear)
L47.80" X W4.12" (3.8" Width Linear)
When continuous runs, each additional 4FT fixture, increase the length by 47.52".
- ④ 8FT: L95.36" X W2.72" (2.3" Width Linear)
L95.36" X W4.12" (3.8" Width Linear)
When continuous runs, each additional 8FT fixture, increase the length by 95.04".

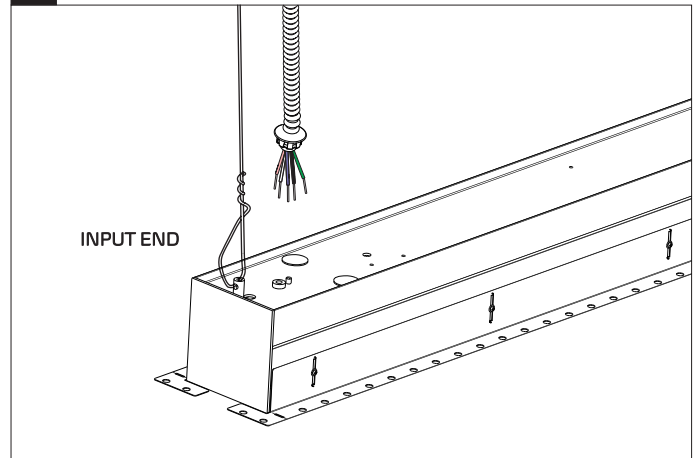
3. MULTIPLE LUMINAIRES CONNECTION L LINE :

- ① 2FT: L29.06" X W2.72" (2.3" Width Linear)
L30.35" X W4.12" (3.8" Width Linear)
When continuous runs, each additional 2FT fixture, increase the length by 23.51".
- ② 3FT: L41.06" X W2.72" (2.3" Width Linear)
L42.36" X W4.12" (3.8" Width Linear)
When continuous runs, each additional 3FT fixture, increase the length by 35.51".
- ③ 4FT: L53.07" X W2.72" (2.3" Width Linear)
L54.37" X W4.12" (3.8" Width Linear)
When continuous runs, each additional 4FT fixture, increase the length by 47.52".
- ④ 8FT: L100.59" X W2.72" (2.3" Width Linear)
L101.93" X W4.12" (3.8" Width Linear)
When continuous runs, each additional 8FT fixture, increase the length by 95.04".

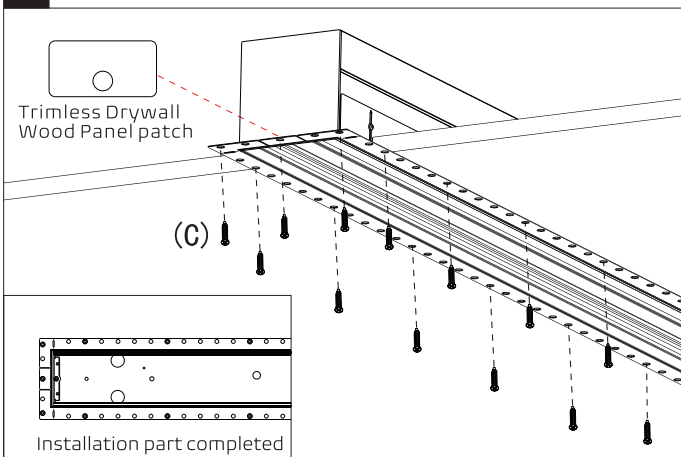
2 Secure both ends of the luminaire with safety ropes



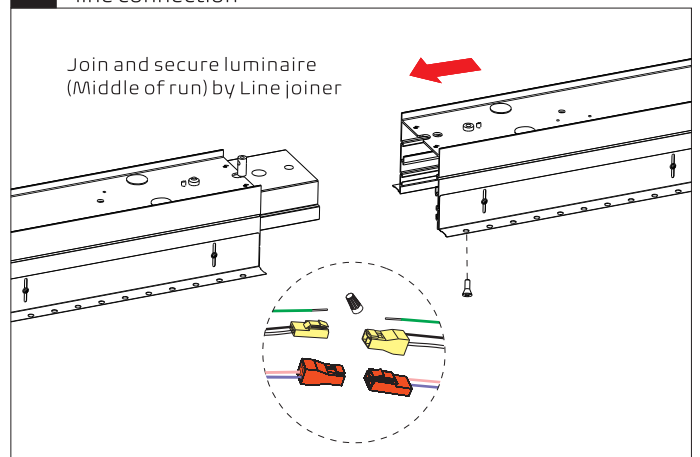
3 Wiring



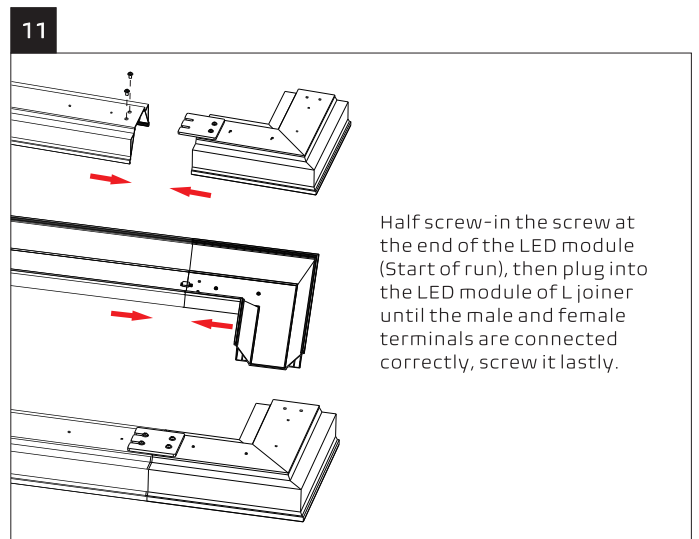
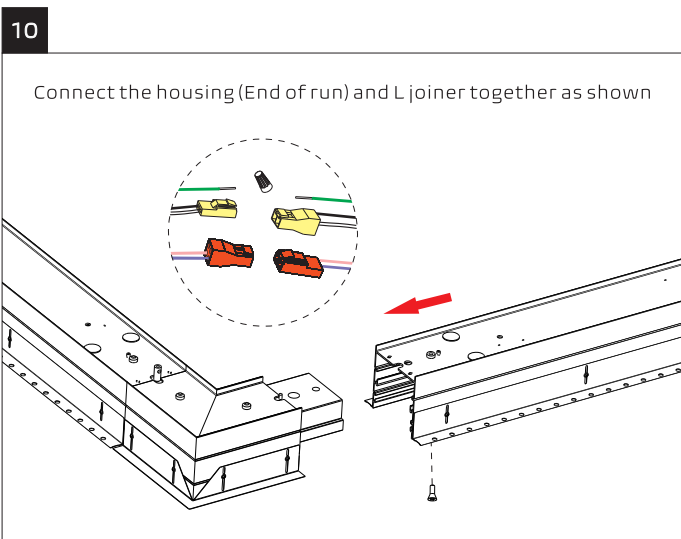
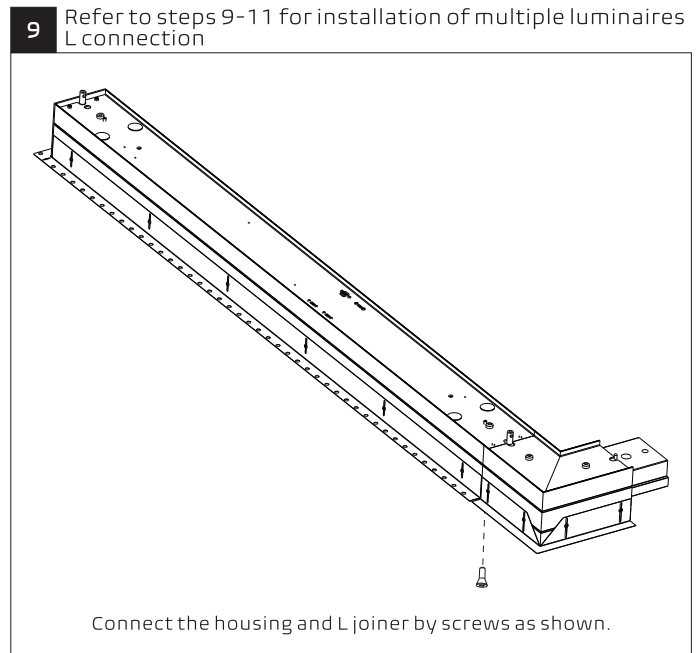
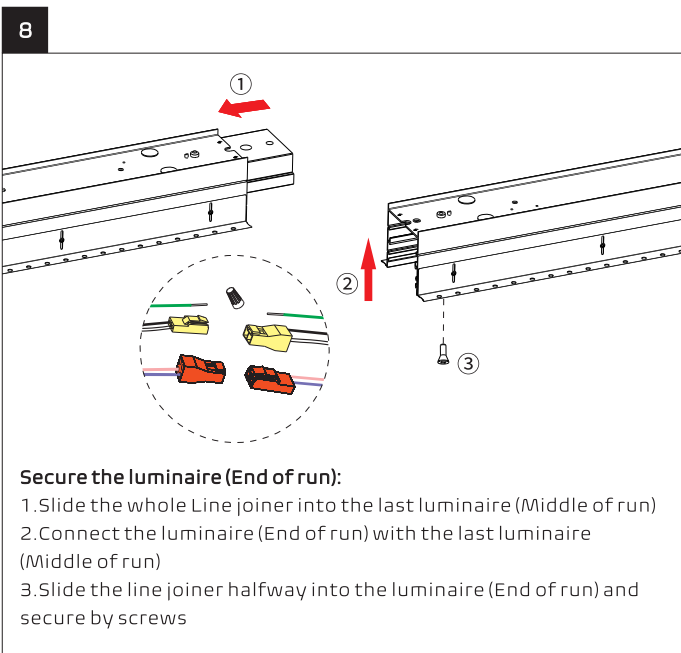
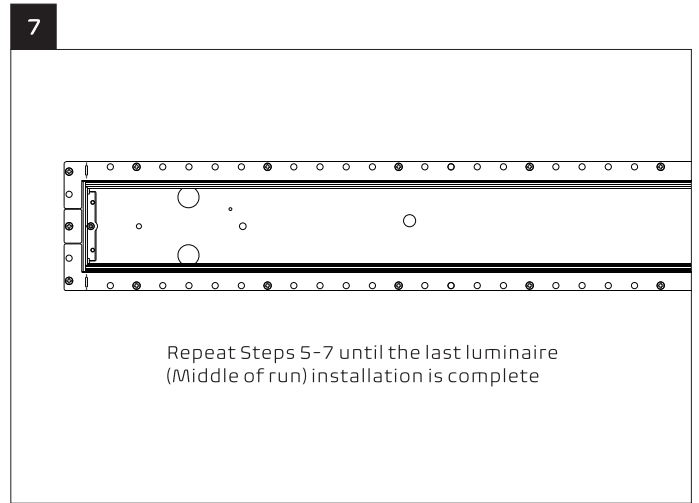
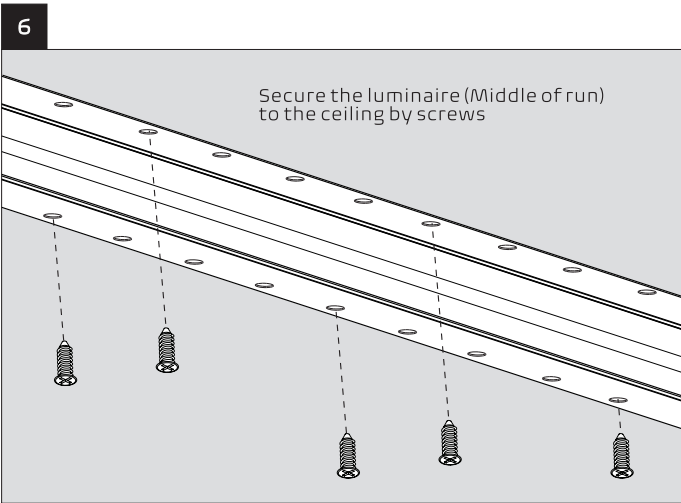
4 Secure the luminaire to the ceiling by screws



5 Refer to steps 5-8 for installation of multiple luminaires –line connection

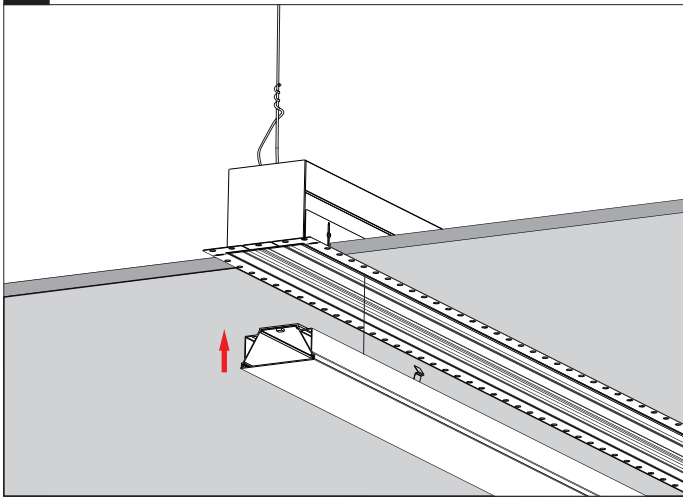


⚠ RISK OF FIRE AND ELECTRICAL SHOCK. FIXTURE MUST BE INSTALLED BY A QUALIFIED ELECTRICIAN ONLY IN ACCORDANCE WITH NATIONAL, LOCAL BUILDING AND ELECTRICAL CODES. DISCONNECT POWER AT ELECTRICAL PANEL BEFORE SERVICING.

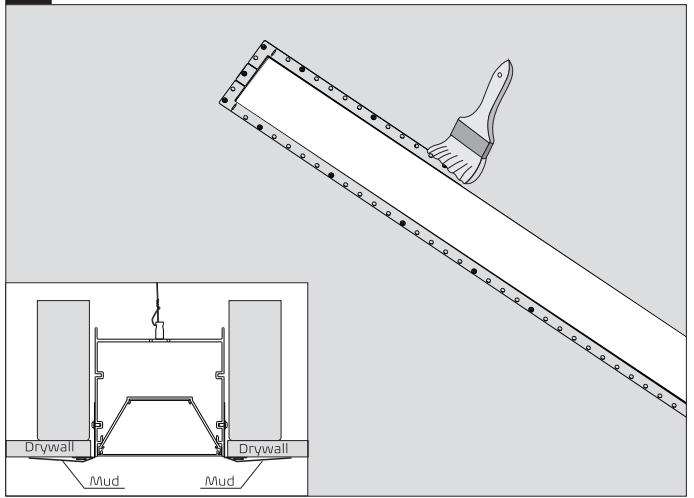


! RISK OF FIRE AND ELECTRICAL SHOCK. FIXTURE MUST BE INSTALLED BY A QUALIFIED ELECTRICIAN ONLY IN ACCORDANCE WITH NATIONAL, LOCAL BUILDING AND ELECTRICAL CODES. DISCONNECT POWER AT ELECTRICAL PANEL BEFORE SERVICING.

12 Plug the LED module into housing



13 Plaster and remove the film on the PC diffuser



14 Complete

