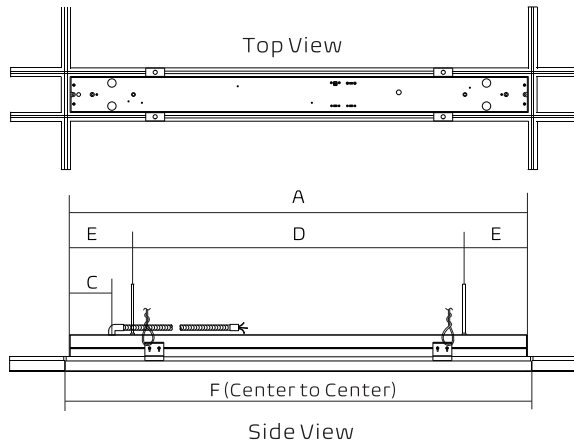


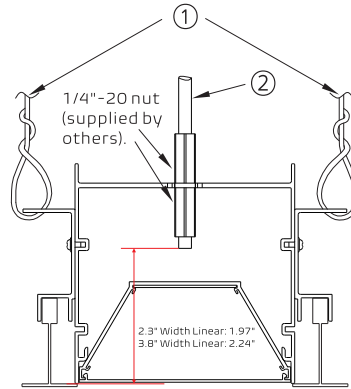
⚠ RISK OF FIRE AND ELECTRICAL SHOCK. FIXTURE MUST BE INSTALLED BY A QUALIFIED ELECTRICIAN ONLY IN ACCORDANCE WITH NATIONAL, LOCAL BUILDING AND ELECTRICAL CODES. DISCONNECT POWER AT ELECTRICAL PANEL BEFORE SERVICING.

Grid Ceiling

Trimless



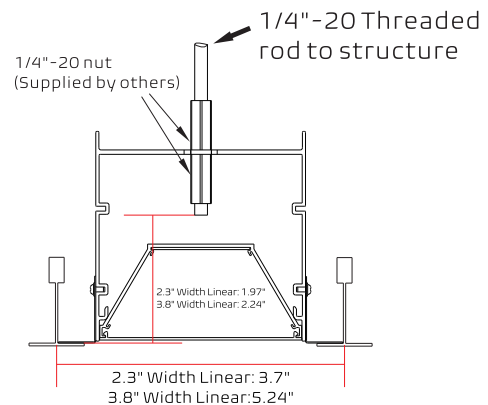
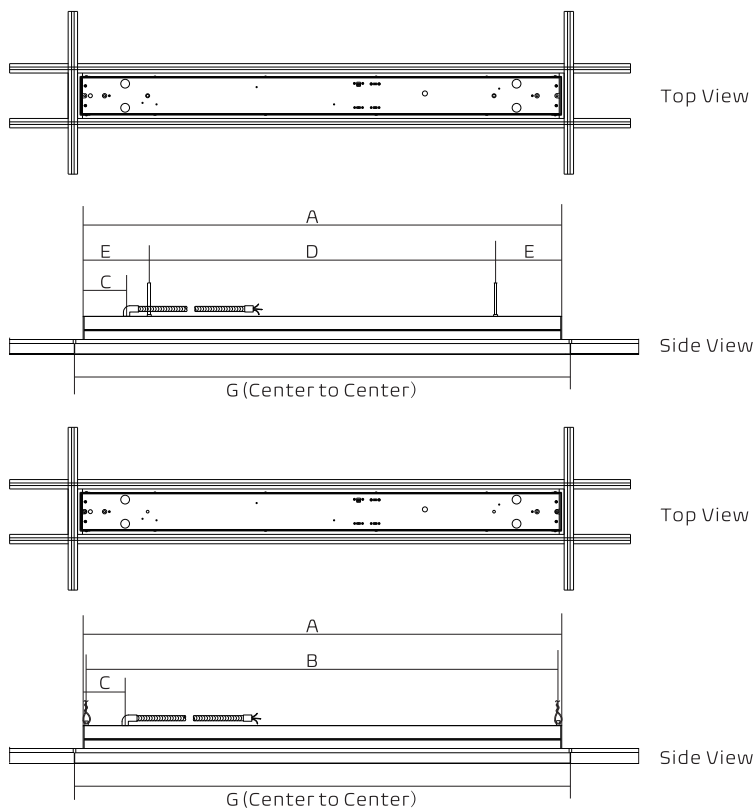
Grid Ceiling
(Wire Suspension or 1/4" - 20 Threaded rod to structure)



- ① Support wire to structure
- ② 1/4" - 20 Threaded rod to structure

You can choose Support wire or 1/4" - 20 threaded rod, but when installing with a suspension cable, DRY ceiling suspension cables must be installed before installing CEILING, when installing with a suspension rod, the lighting fixtures must be installed before installing CEILING.

Trim



You can choose support wire or 1/4" - 20 threaded rod, but when installing with a suspension cable, dry ceiling suspension cables must be installed before installing ceiling, when installing with a suspension rod, the lighting fixtures must be installed before installing ceiling.

DRY CEILING AND GRID CEILING - DIMENSIONS								
Nominal Length	"A" Housing Length	"B" Wire Rope	"C" Feed Location		"D" Rod Spacing	"E" End Suspensions	"F" Grid Spacing	"G" Grid Spacing
	Feet	Feet	2.3" Width Linear	3.8" Width Linear	Feet	Feet	Inch	Inch
2 ft.	1.98'	1.92'	3.58"	4.33"	0.88'	0.54'	23.98" Center to Center	24.96" Center to Center
3 ft.	2.98'	2.94'	3.58"	4.33"	1.88'	0.54'	35.99" Center to Center	36.97" Center to Center
4 ft.	3.98'	3.94'	3.58"	4.33"	2.88'	0.54'	48.00" Center to Center	48.98" Center to Center
8 ft.	7.96'	7.90'	3.58"	4.33"	6.84'	0.54'	95.99" Center to Center	96.50" Center to Center

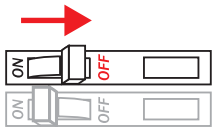
⚠ RISK OF FIRE AND ELECTRICAL SHOCK. FIXTURE MUST BE INSTALLED BY A QUALIFIED ELECTRICIAN ONLY IN ACCORDANCE WITH NATIONAL, LOCAL BUILDING AND ELECTRICAL CODES. DISCONNECT POWER AT ELECTRICAL PANEL BEFORE SERVICING.

IMPORTANT

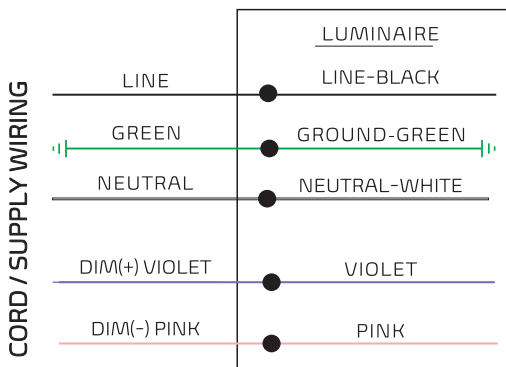
1. Read all instructions.
2. Install in accordance with national and local electrical code regulations.
3. This product is intended to be installed and serviced by a qualified, licensed electrician.
4. Do not install in wet locations. For dry and damp use only.
5. Turn off electrical power before installing or servicing fixture in any way.
6. To reduce the risk of fire and overheating, make sure all connections are tight.
7. Under no circumstances can the lighting fixture be covered with heat insulation gasket or similar materials.
8. The maximum connection of each input line is 40FT in 120AC, 100FT in 277AC.

SHOCK HAZARD

⚡ May result in serious injury or death. Turn power OFF at circuit breaker prior to installation or servicing.



WIRING



⚠ Please isolate two dimming wires by P2 terminal individually if no need dimming; Must connect wires with corresponding colors as shown.

PARTS LISTS

MUD-IN DRYWALL

A T-grid Hook	B Screws Screws to fix the T-grid hook to the housing	C PC diffuser	D Silicone Seal Note: Silicone seal is used to seal seams that may appear at both ends of luminaires when multiple connections.
E Line Joiner	F "L" Joiner (3.8" Width Linear)	G "L" Joiner (2.3" Width Linear)	

Grid Ceiling Installation

Centre-to-centre distance(Length) 9/16" Flat, 15/16" Flat, 9/16" Slot)

2FT: 23.98"
3FT: 35.99"
4FT: 48.00"
8FT: 95.99"

When continuous run:
 Each additional 2FT fixture, increase the length by 23.51".
 Each additional 3FT fixture, increase the length by 35.51".
 Each additional 4FT fixture, increase the length by 47.52".
 Each additional 8FT fixture, increase the length by 95.04".

Grid Ceiling Installation

Centre-to-centre distance (Width)

3.8" Width Linear

4.62"	4.24"	4.31"	4.24"
15/16" Flat	9/16" Flat	9/16" Slot-1	9/16" Slot-2

2.3" Width Linear

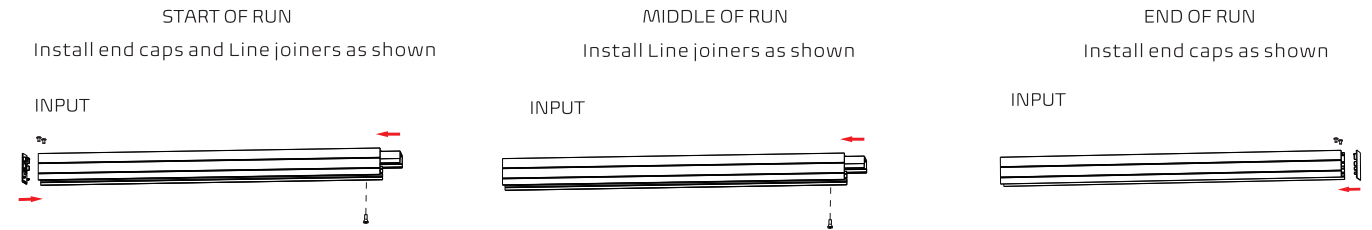
3.22"	2.84"	2.91"	2.84"
15/16" Flat	9/16" Flat	9/16" Slot-1	9/16" Slot-2

⚠ RISK OF FIRE AND ELECTRICAL SHOCK. FIXTURE MUST BE INSTALLED BY A QUALIFIED ELECTRICIAN ONLY IN ACCORDANCE WITH NATIONAL, LOCAL BUILDING AND ELECTRICAL CODES. DISCONNECT POWER AT ELECTRICAL PANEL BEFORE SERVICING.

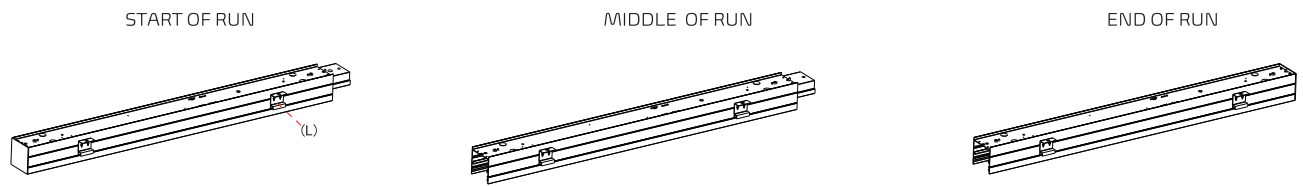
BEFORE CONNECTING

MULTIPLE LUMINAIRES CONNECTION – LINE CONNECTION

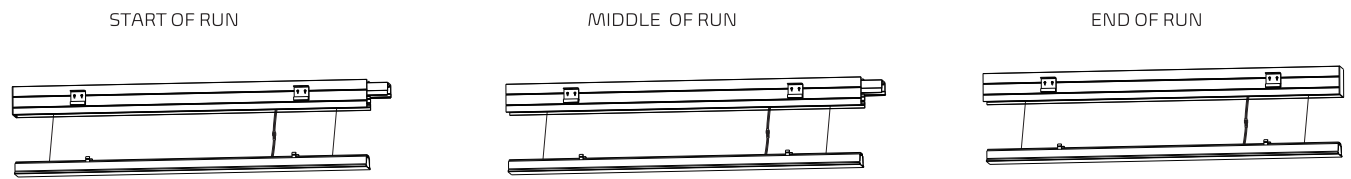
① Install the end caps and Line joiners



② Install T-grid hooks (A) as shown



③ Secure the LED modules with aircraft cable and connect the DC male and female terminals



MULTIPLE LUMINAIRES CONNECTION – L SHAPE CONNECTION

① Install the end caps



② Install T-grid hooks (A) as shown

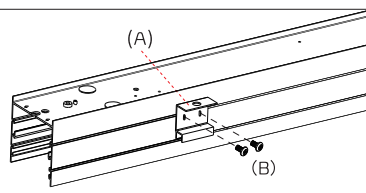


③ Secure the LED modules with aircraft cable and connect the DC male and female terminals



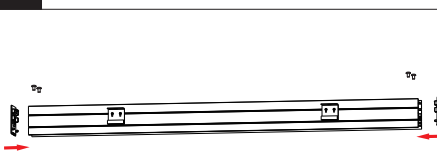
⚠ RISK OF FIRE AND ELECTRICAL SHOCK. FIXTURE MUST BE INSTALLED BY A QUALIFIED ELECTRICIAN ONLY IN ACCORDANCE WITH NATIONAL, LOCAL BUILDING AND ELECTRICAL CODES. DISCONNECT POWER AT ELECTRICAL PANEL BEFORE SERVICING.

1



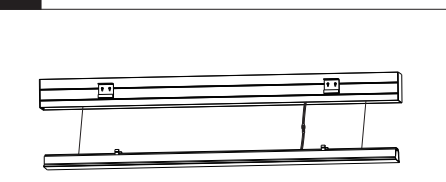
Install the T-grid hook on the housing by screws.
It can be moved up and down according to the different ceiling type.

2



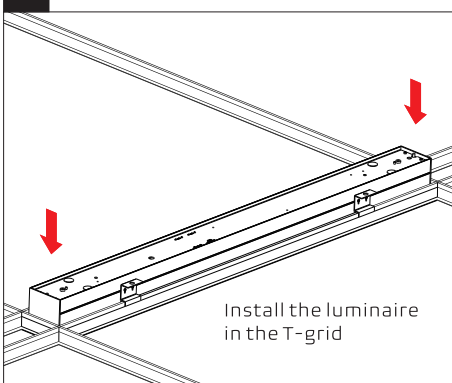
Install end cap as shown

3



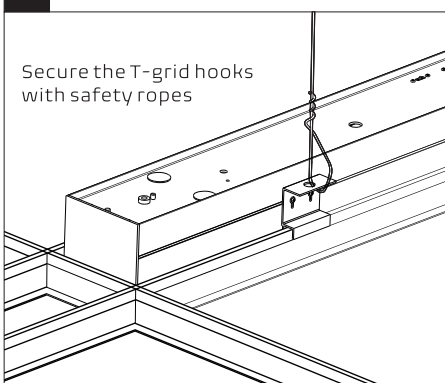
Secure the LED module with aircraft cable and connect the DC male and female terminals

4



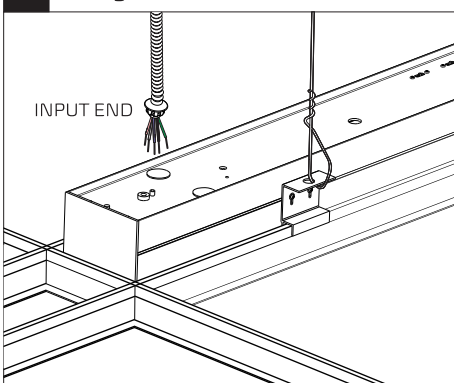
Install the luminaire in the T-grid

5



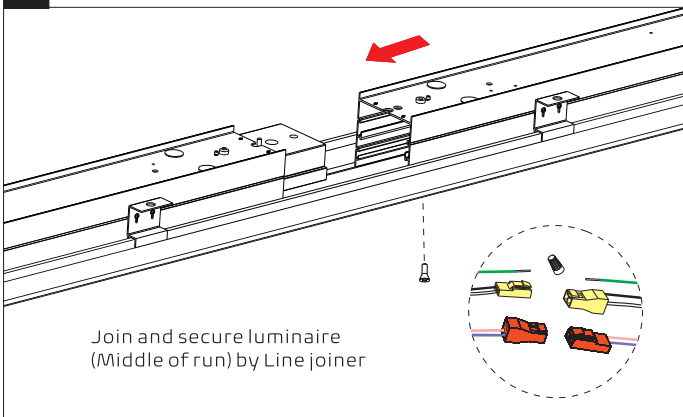
Secure the T-grid hooks with safety ropes

6 Wiring



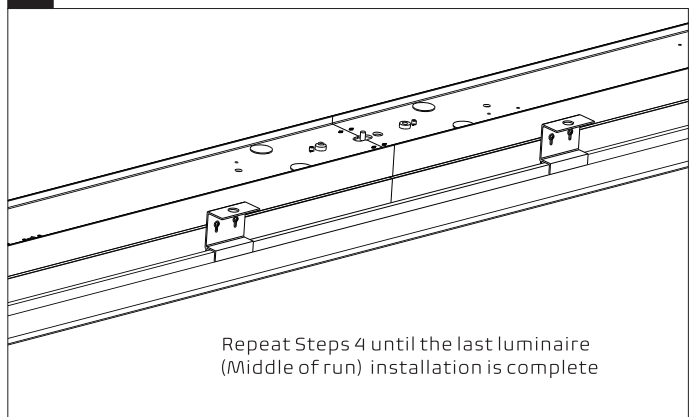
INPUT END

7 Refer to steps 7-9 for installation of multiple - connection.



Join and secure luminaire (Middle of run) by Line joiner

8



Repeat Steps 4 until the last luminaire (Middle of run) installation is complete

⚠ RISK OF FIRE AND ELECTRICAL SHOCK. FIXTURE MUST BE INSTALLED BY A QUALIFIED ELECTRICIAN ONLY IN ACCORDANCE WITH NATIONAL, LOCAL BUILDING AND ELECTRICAL CODES. DISCONNECT POWER AT ELECTRICAL PANEL BEFORE SERVICING.

9

Secure the luminaire (End of run):

1. Slide the whole Line joiner into the last luminaire (Middle of run)
2. Connect the luminaire (End of run) with the last luminaire (Middle of run)
3. Slide the line joiner halfway into the luminaire (End of run) and secure by screws

10 Refer to steps 10-12 for installation of multiple luminaires L connection

Connect the housing and L joiner by screws as shown

11

Half screw-in the screw at the end of the LED module (Start of run), then plug into the LED module of L joiner until the male and female terminals are connected correctly, screw it lastly.

12

Connect the housing (End of run) and L joiner together as shown

13

Plug the LED module into housing

14 Complete