



## GEN.3 LED UFO HIGH BAY



### PRODUCT DESCRIPTION

The GEN.3 LED UFO High Bay Light is ideal for replacing an existing HID, fluorescent or induction lighting system for reduced maintenance costs. For use in light industrial applications such as workshops, warehouses, indoor stadiums, etc. The pure aluminum heat sink enables the lumen efficacy higher with excellent thermal management in one-piece structure by die-casting technology.

### FEATURE

- Compact die-cast aluminum body design
- Reflector is available
- Wireless bluetooth system and Motion sensor control available
- 347/480V for option
- Various mounting options

### ELECTRICAL SYSTEM

- Input Voltage: 120-277V, 347/480V, 50/60Hz
- Minimum ambient -40°F, maximum ambient 104°F
- Power Factor: > 0.9 at full load
- Total Harmonic Distortion: < 20% at full load

### PERFORMANCE

CRI

70

CCT

4000K, 5000K

Dimming

0-10V dimming

12V Auxiliary power

Projected Lifetime

L70 - 100,000 Hours

Working Temperature

-40-104°F (-40-40°C)

Certifications

- cULus Listed
- IP65 rated
- RoHS compliant

### SPECIFICATION

Product Size :

100-150W: φ272.7X57.1mm (10.74"X2.25")

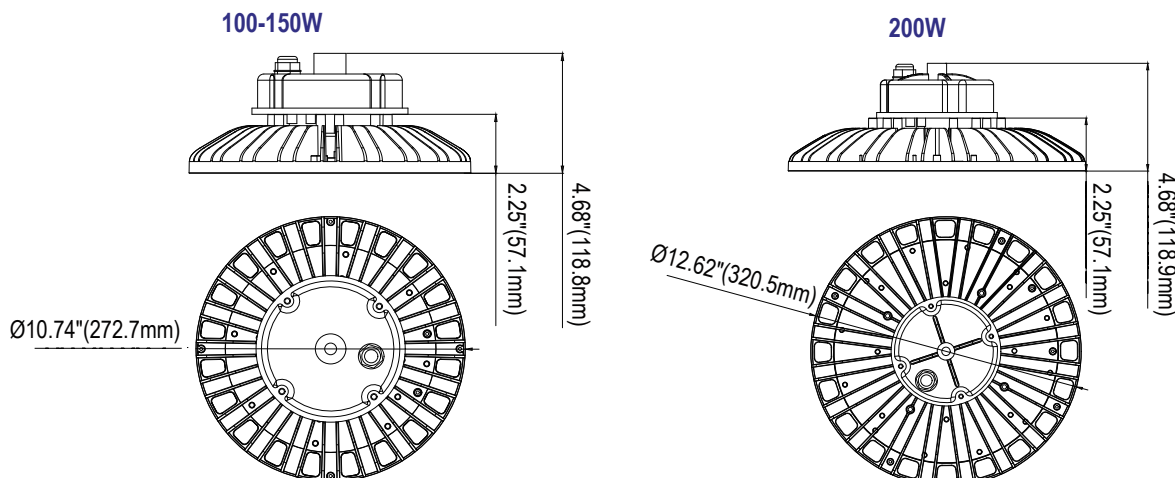
200W: φ320.5X57.1mm (12.62"X2.25")

Net weight :

100W: 2.33Kg (5.14 lbs)

150W: 2.43Kg (5.36 lbs)

200W: 2.98Kg (6.57 lbs)



## Ordering Information

## Example: HBG3-100501

Series	- Watts	CCT	Voltage	Controls	Installation	Distribution	Options
HBG3	100 -100 Watts	40 - 4000K	1 -120-277VAC	Blank - No Controls	Blank-Loop	Blank-90° polycarbonate lens	<b>Ordered and shipped separately<sup>1</sup></b> HBG3-ALR-S HBG3-ALR-L
	150 -150 Watts	50 - 5000K	6 -347/480VAC	<b>Ordered and shipped separately<sup>1</sup></b> <b>BMS-S6-PIR-DC1- BLE-SR-PPM</b> Bluetooth PIR Motion Sensor	<b>Ordered and shipped separately<sup>1</sup></b> HBG3-P1 HBG3-P2 HBG3-TR		
	200 -200 Watts			<b>BMS-S6-PIR-DC1-PPM</b> PIR Motion Sensor			
				<b>BLD-UM30R</b> 30W Emergency Battery Backup <sup>2</sup>			

Notice:

1. Ordered and shipped separately as an accessory. More details in the following accessory table.
2. Emergency battery backup is not available for 480VAC.

\* Standard Finish is Black. Custom colors are available at an additional cost. Please check with Customer Service for more information.

## Accessories (Ordered separately)



**HBG3-ALR-S**  
Aluminum reflector for 100W and 150W



**HBG3-PCR-S**  
Polycarbonate reflector for 100W and 150W



**HBG3-PCR-CGS**  
Polycarbonate conical glare shield



**HBG2-P1**  
3/4" pendant adapter for 120-277V



**HBG2-TR**  
Trunnion Mount Bracket

**HBG3-ALR-L**  
Aluminum reflector for 200W

**HBG3-PCR-L**  
Polycarbonate reflector for 200W

**HBG2-P2**  
3/4" pendant adapter for 347V/480V



L5-15P 125V 15A  
Straight Plug 6ft black (18AWGx3)



**BMS-S6-PIR-DC1- BLE-SR-PPM**

Bluetooth PIR Motion Sensor



**BMS-S6-PIR-DC1-PPM**  
Standalone PIR Motion Sensor



**BLD-UM30R**  
30W Emergency Battery Backup



**RN1**  
Remote control for Emergency Battery Backup

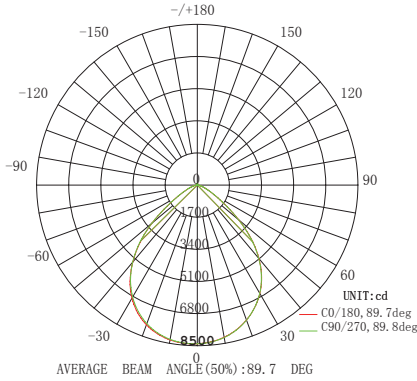


**AAL-RC-100**  
Remote control for sensor

L7-15P 277V 15A  
Twist Lock Plug 6ft black (18AWGx3)

## PHOTOMETRY

All published luminaire photometric testing performed to IESNA LM-79-08 standards by a NVLAP certified laboratory.



## PERFORMANCE DATA

### LUMEN OUTPUT

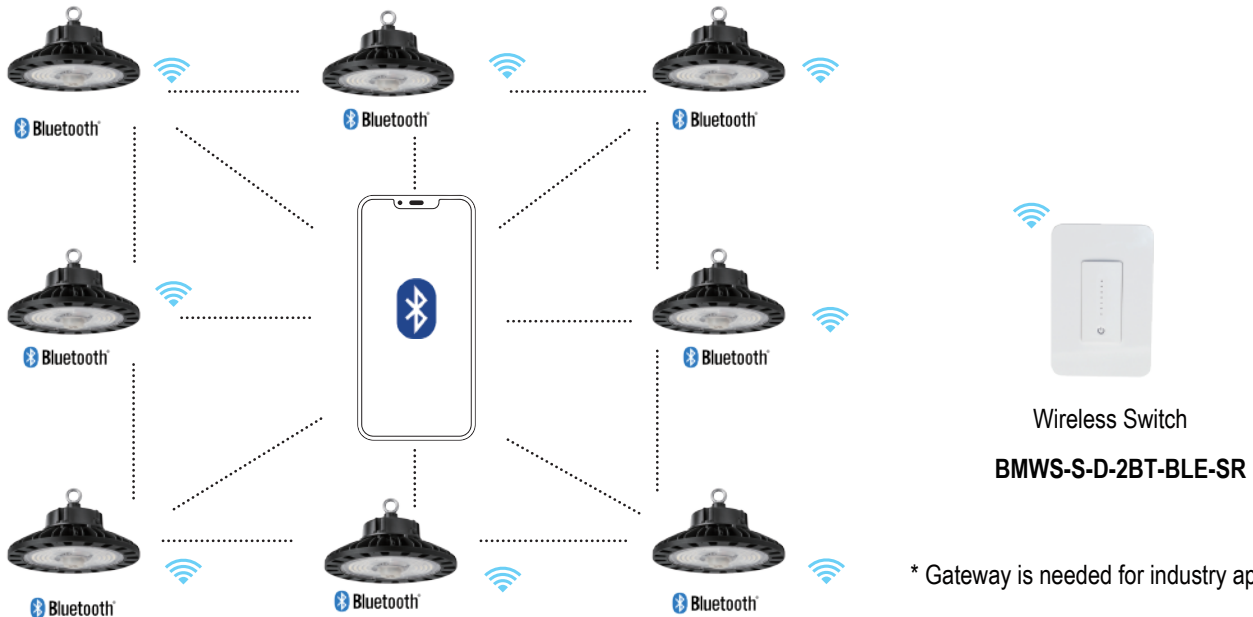
Lumen values are measured by third party certified laboratories performed in accordance with IESNA LM-79-08 as well as Lighting Facts listed.

Watts	Lumen Output	AC Input 120V	CRI	CCT	LPW
100W	16500	0.83A	>70	5000K	<b>165</b>
150W	24000	1.25A	>70	5000K	<b>160</b>
200W	32000	1.67A	>70	5000K	<b>160</b>

## BLUETOOTH PIR MOTION SENSOR

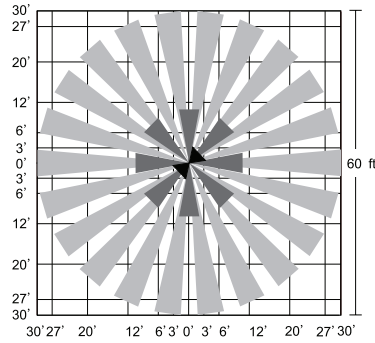
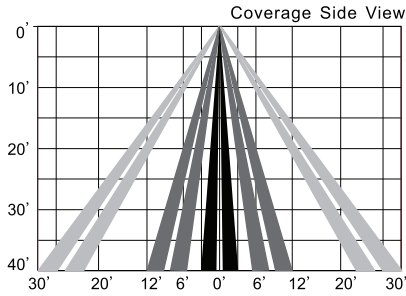
Model No.	Description
<b>BMS-S6-PIR-DC1-BLE-SR-PPM</b>	Wireless Bluetooth PIR occupancy sensor with daylight harvesting capability.

### Bluetooth Mesh Control



\* Gateway is needed for industry applications.

## Detection Area



Max. Mounting Height 40ft

Ref#: 20240717

## Warranty

Five year limited warranty is based on the maximum working temperature of 77°F.

## Note:

Specifications subject to change without notice.