



LED MOON SERIES POST TOP



PRODUCT DESCRIPTION

The moon series offers a high-performance solution for the most demanding applications packaged in a unique and easy to install design. With different precision refractive optical lenses and versatile mounting options including post top, low bay, parking garage, and gas station canopy, this luminaire can be used in many applications such as pedestrian street, factories, schools, gardens, courtyards, hotels, parking lots, and public parks.

FEATURE

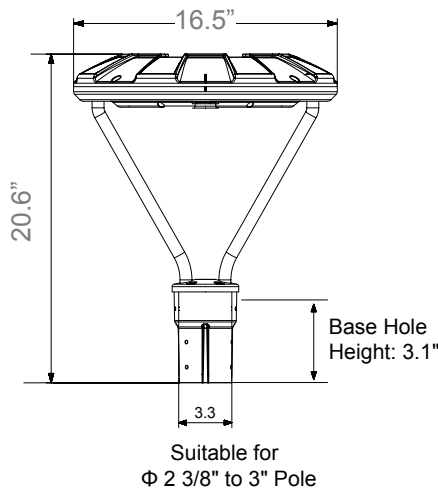
- Easy and convenient for installation
- Lightweight design and low E PA minimize pole load
- Die-cast aluminum housing and excellent thermal management
- IES distribution Types II, III & V for various applications
- Tempered glass lens doesn't fade and discolor
- Multi-level motion sensor, photocontrol and 3/5/7-pin NEMA receptacle options.

ELECTRICAL SYSTEM

- Input Voltage: 120-277VAC/347V/480V
- 50/60Hz
- 0-10V dimming for 35W, 50W and 75W; 1-10V dimming for 100W and 135W
- Power Factor: > 0.9 at full load
- Total Harmonic Distortion: < 20% at full load
- Integral 10KA surge suppression protection standard

SPECIFICATION

Max. Weight: 16.54 lbs
Effective Projected Area (EPA): 0.7ft²



PERFORMANCE

CRI

≤50W, 70 CRI
>50W, 80 CRI

CCT

3000K/ 4000K/ 5000K

Dimming

0-10V Dimmable driver is For 35W/50W/75W
1-10V Dimmable driver is For 100W and 135W
The dimming wires are inside the fixture.
If need to have access to the dimming wire please contact Customer Service.

Projected Lifetime

L70 - 109,000 Hours

Working Temperature

35W/50W/75W/100W: -40-131°F (-40-55°C)
135W: -40-104°F (-40-40°C)

Certifications

- cETLus conforms to UL Std. 1598 Cert. to CSA Std. C22.2 No.250.0
- IP66 rated
- IK10 rated for polycarbonate lens
- DLC qualified*
- RoHS compliant
- DarkSky Approved*

Notes:

* If you find configurations are not shown as DLC listed, please do not hesitate to inquire with Customer Service.

* Only 3000K or less is DarkSky Approved.

Ordering Information

Example: MPT35501-MS-L3B-P1-V

Name	Watts	CCT	Voltage	Control	Installation	Distribution	Lens	Finish
MPT	35 - 35W	30 - 3000K	1 - 120-277V	Blank - None	P1 - 2 3/8" or 3" Tenon pole ⁶	II - Type II	Blank - Glass Clear Lens ⁷	Blank - Dark Bronze
	50 - 50W	40 - 4000K	2 - 347V ¹	MS-L3B - Wattstopper Sensor With Black L3 Lens ⁴				
		50 - 5000K	6 - 120-347 ³	MS-L7B - Wattstopper Sensor With Black L7 Lens ⁴	V - Type V	GFL - Glass Frosted Lens	* Custom colors will ask for additional charge.	
	75 - 75W		1 - 120-277V	PC - Photoelectric Control	PCL - Polycarbonate Clear Lens ⁸			
	100 - 100W		2 - 347V ¹	7P - 7-Pin PE Receptacle ⁵	PDL - Polycarbonate Diffused Lens ⁸			
	135 - 135W		3 - 480V ²					
		6 - 347/480V ³						

Notes:

1. Single voltage 347V is only used with photoelectric control.
2. Single voltage 480V is only used with photoelectric control.
3. No controls for 120-347V and 347/480V.
4. Wattstopper sensor is not available for 120-347V and 347/480V. Black L3 lens is standard for 35W and 50W. Black L7 lens is standard for 75W, 100W and 135W. Please check the motion sensor manual for more information.
5. Shorting cap included.
6. 4" OD round and square pole adapter is available for accessory.
7. Glass clear lens is standard. For other lens options (GFL/PCL/PDL), please check with Customer Service for lead-times.
8. Polycarbonate lens is IK10 rated.

* Standard Finish is Dark Bronze. Custom finish colors will ask for additional charge. Please contact Customer Service for details.

Accessories (Ordered separately & field installed)



90178

MPT-4RPA
4" OD Round Pole Adapter



90534

MPT-4SPA
4" Square Pole Adapter



91255

WM-BRACKET-01-BK
Wall mount brackets, black



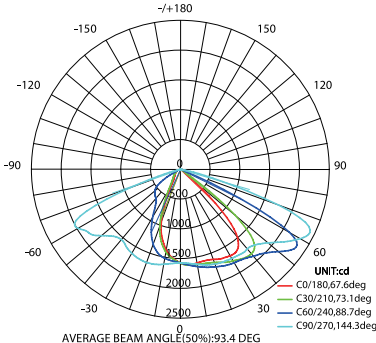
90198

MPT-HSS
House side shield for MPT/MLB

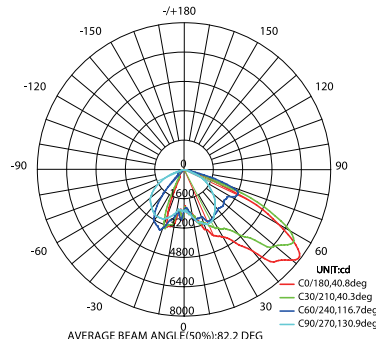
PHOTOMETRY

All published luminaire photometric testing performed to IESNA LM-79-08 standards by a NVLAP certified laboratory.

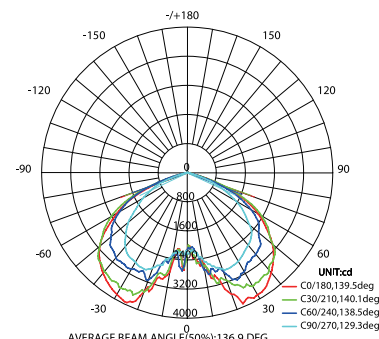
With Clear Lens



Type II



Type III



Type V

PERFORMANCE DATA

LUMEN OUTPUT

Lumen values are measured by third party certified laboratories performed in accordance with IESNA LM-79-08 as well as Lighting Facts listed.

With Clear Glass Lens

Nominal Watts	System Watts	Lumen Output (Post Top)	CRI	CCT	Dist. Type	LPW
35W	35W	4039lm	80	5000K	Type V	115
50W	47.8W	5319lm	80	3000K	Type III	111
75W	72.1W	8057.4lm	70	5000K	Type III	111.8
100W	99.4W	11595lm	70	5000K	Type V	116.7
135W	133W	16500lm	70	5000K	Type V	124

Lumen Multiplier

3000K	0.93
4000K	1
5000K	1
Clear Glass Lens	1
Frosted Glass Lens	0.89

Notes: 0.89 multiplier is for frosted glass lens.

Projected LED Lumen Maintenance

Data references the extrapolated performance projections for the MT LED in a 77°F ambient temperature (tested per IESNA LM-80-08 and projected per IESNA TM-21-11).

	100W (351B)				75W (5630)			
Operating Hours	10,000	16,000	29,000	109,000	11,000	16,000	27,000	97,000
Lumen Maintenance Factor	0.98(L98)	0.96(L96)	0.92(L92)	0.70(L70)	0.98(L98)	0.96(L96)	0.92(L92)	0.70(L70)

BUG Rating

Performed to IESNA LM-79-08 standards by a NVLAP accredited laboratory

Model	BUG Rating	Model	BUG Rating	Model	BUG Rating
MPT35301-II	B1-U2-G0	MPT50301-V	B2-U2-G1	MPT100301-II	B3-U3-G1
MPT35401-II	B1-U2-G0	MPT50401-V	B2-U2-G1	MPT100401-II	B3-U3-G1
MPT35501-II	B1-U2-G1	MPT50501-V	B2-U2-G1	MPT100501-II	B3-U3-G1
MPT35301-III	B2-U1-G1	MPT75301-II	B2-U3-G1	MPT100301-III	B3-U2-G2
MPT35401-III	B1-U2-G0	MPT75401-II	B2-U3-G1	MPT100401-III	B3-U3-G2
MPT35501-III	B2-U1-G1	MPT75501-II	B2-U3-G1	MPT100501-III	B3-U2-G3
MPT35301-V	B2-U1-G1	MPT75301-III	B2-U2-G2	MPT100301-V	B3-U2-G2
MPT35401-V	B2-U2-G1	MPT75401-III	B2-U3-G1	MPT100401-V	B3-U3-G3
MPT35501-V	B2-U1-G1	MPT75501-III	B2-U2-G2	MPT100501-V	B3-U2-G3
MPT50301-II	B2-U2-G1	MPT75301-V	B3-U2-G2	MPT135501-P1-II	B3-U3-G1
MPT50401-II	B2-U2-G1	MPT75401-V	B3-U3-G1	MPT135501-P1- III	B3-U3-G2
MPT50501-II	B2-U2-G1	MPT75501-V	B3-U3-G1	MPT135501-P1- V	B3-U3-G3
MPT50301-III	B2-U2-G1				
MPT50401-III	B2-U2-G1				
MPT50501-III	B2-U2-G1				



Multi-level Motion Sensor



120-277V Photocontrol



480V Photocontrol

Warranty

Five year limited warranty. Full warranty terms located at www.abovealllighting.com/warrantystatements.

Note:

Specifications subject to change without notice.