



PAVILION LED POST TOP



PRODUCT DESCRIPTION

The pavilion LED post top comes in traditional lantern look with an expected service life of 50,000 hours, high efficiency and an easy-install design. As a decorative luminaire, the traditional style is in harmony with the architectural and environmental area lighting applications such as pedestrian street, parks, gardens, courtyard etc.

FEATURE

- Up to 120LPW
- IES distribution Types II, III, IV & V for various applications
- Diffused glass lens panels for option
- Photocontrol & 3/5/7 PIN NEMA receptacle optional
- Integral 10KA surge suppression protection standard

ELECTRICAL SYSTEM

- Input Voltage: 120-277VAC/347V/480V
- 50/60Hz
- Operating temperature range: -40-104°F (-40-40°C)
- Power Factor: > 0.9 at full load
- Total Harmonic Distortion: < 20% at full load
- Integral 10KA surge suppression protection

PERFORMANCE

CRI

70+

CCT

3000K, 4000K, 5000K

Dimming

0-10V Dimming Standard

The dimming wires are inside the fixture.

If need to have access to the dimming wire, please contact Customer Service.

Projected Lifetime

L70 - 127,000 Hours

Working Temperature

-40-104°F (-40-40°C)

Certifications

- cETLus
- IP65 rated
- DLC Listed
- RoHS compliant
- DarkSky Approved

Notes:

Only 3000K or less is DarkSky Approved.

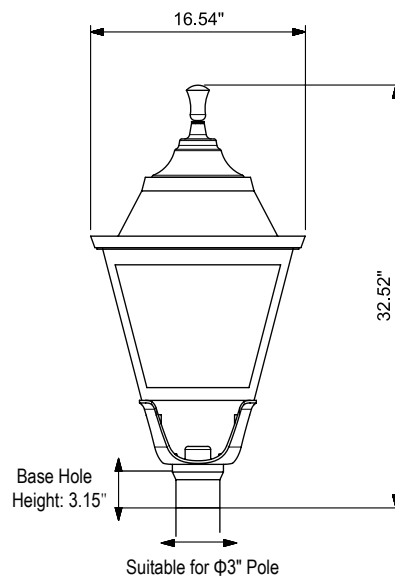
SPECIFICATION

Max. Weight: 14.33 lbs

Effective Projected Area (EPA)

without four lens panels: 1.70ft²

with four lens panels: 2.76ft²



Ordering Information

Example: PPT30301-P1-V

Name	Watts	CCT	Voltage	Control	Installation	Distribution	Finish
PPT	30 - 30W	30 - 3000K	1 - 120-277V	Blank - None	P1 - 3" Tenon pole ³	V - Type V ⁴	Blank - Black * Custom finish colors will ask for additional charge.
	50 - 50W	40 - 4000K	2 - 347V	PC - Photoelectric Control		IV - Type IV	
	50 - 5000K	6 - 120-347V ¹	7P - 7-Pin PE Receptacle ²	III - Type III			
	75 - 75W		1 - 120-277V 2 - 347V 3 - 480V 6 - 347/480V ¹			II - Type II	

Notes:

- 120-347V and 347/480V are not available for photoelectric control.
- Shorting cap included.
- 4"OD round pole adapter is available for accessory.
- Type V is standard. Please contact Customer Service to check the lead time for other distributions.

* Standard Finish is Black. Please contact Customer Service for other finish.

Accessories



90660

MPT-4RPA-BK

4"OD round pole adapter



91255

WM-BRACKET-01-BK

Wall mount brackets, black



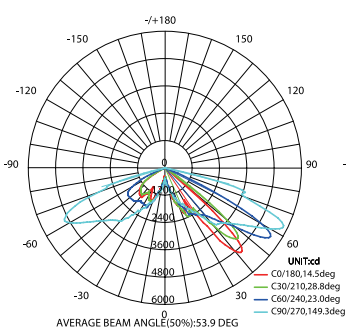
90228

PPT-GFL

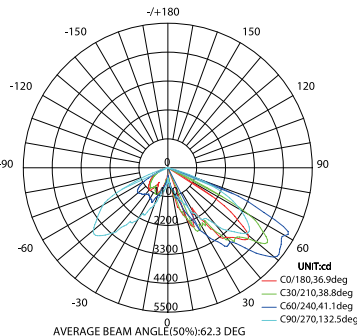
4 pieces of glass frosted lens for pavilion LED post top

PHOTOMETRY

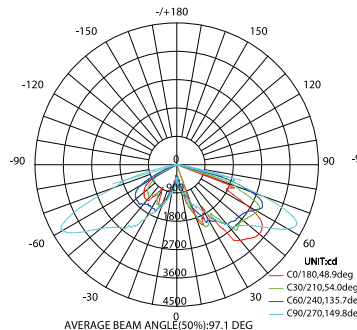
All published luminaire photometric testing performed to IESNA LM-79-08 standards by a NVLAP certified laboratory.



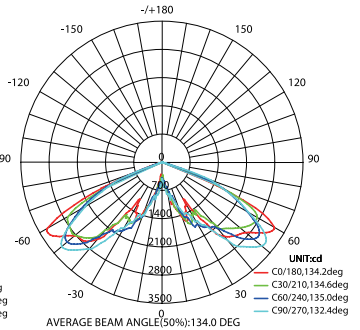
Type II



Type III



Type IV



Type V



Pavilion WITH Glass Frosted Lens



Pavilion WITH Photocontrol

PERFORMANCE DATA

LUMEN OUTPUT

Lumen values are measured by third party certified laboratories performed in accordance with IESNA LM-79-08 as well as Lighting Facts listed.

Nominal Watts	Measured Watts	Lumen Output	CRI	CCT	Dist. Type	LPW Average
30W	29W	3250lm	>70	5000K	Type V	112
50W	50W	5750lm	>70	5000K	Type V	115
75W	76W	8740lm	>70	5000K	Type V	115

Lumen Ambient Temperature (LAT) Multipliers

Use these factors to determine relative lumen output for average ambient temperature from -40-104°F (-40-40°C).

Ambient		Multiplier
Celsius	Fahrenheit	
0	32	1.02
10	50	1.01
20	68	1.00
25	77	1.00
30	86	1.00
40	104	0.99

BUG Rating

Performed to IESNA LM-79-08 standards by a NVLAP accredited laboratory

Model	BUG Rating	Model	BUG Rating	Model	BUG Rating
PPT30301-II	B1-U0-G1	PPT50301-II	B2-U2-G1	PPT75301-II	B2-U3-G2
PPT30301-III	B1-U1-G1	PPT50301-III	B1-U2-G1	PPT75301-III	B2-U3-G1
PPT30301-IV	B1-U0-G1	PPT50301-IV	B2-U0-G1	PPT75301-IV	B2-U0-G2
PPT30301-V	B2-U0-G0	PPT50301-V	B2-U2-G2	PPT75301-V	B3-U3-G3
PPT30401-II	B1-U2-G1	PPT50401-II	B2-U2-G1	PPT75401-II	B2-U3-G2
PPT30401-III	B1-U2-G1	PPT50401-III	B1-U2-G1	PPT75401-III	B2-U3-G1
PPT30401-IV	B1-U2-G1	PPT50401-IV	B2-U2-G1	PPT75401-IV	B2-U3-G2
PPT30401-V	B1-U2-G1	PPT50401-V	B2-U2-G2	PPT75401-V	B2-U3-G2
PPT30501-II	B1-U2-G1	PPT50501-II	B2-U2-G2	PPT75501-II	B2-U3-G2
PPT30501-III	B1-U2-G1	PPT50501-III	B1-U2-G1	PPT75501-III	B2-U3-G1
PPT30501-IV	B1-U0-G1	PPT50501-IV	B2-U2-G1	PPT75501-IV	B2-U3-G2
PPT30501-V	B2-U2-G1	PPT50501-V	B2-U2-G2	PPT75501-V	B3-U3-G1

Warranty

Five year limited warranty. Full warranty terms located at www.abovealllighting.com/warrantystatements

Specifications subject to change without notice.