

SELECTABLE LED VAPOR TIGHT



PRODUCT DESCRIPTION

The Selectable Vapor Tight Series provides gasketed enclosure which provides dust-free and moisture-free fixture. Made of high quality ABS base and polycarbonate lens. Length available in 2ft, 4ft and 8ft. The Vapor Tight Series can be widely used for food processing plants, meat lockers, beverage coolers, car washes, and parking structures.

FEATURES

- IP65 rated for wet location
- Length available in 2ft, 4ft and 8ft
- Wattage and CCT selectable

ELECTRICAL SYSTEM

- Input Voltage: 120-277V, 50/60Hz
- Operating temperature range: -40-104°F (-40-40°C)
- Power Factor: > 0.9 at full load
- Total Harmonic Distortion: < 20% at full load

SPECIFICATION

2ft: 1.54KG(3.40lbs)
4ft: 2.66KG(5.86lbs)
8ft: 5.10KG(11.24lbs)

PERFORMANCE

CRI

80

CCT

3500K、4000K、5000K

Projected Lifetime

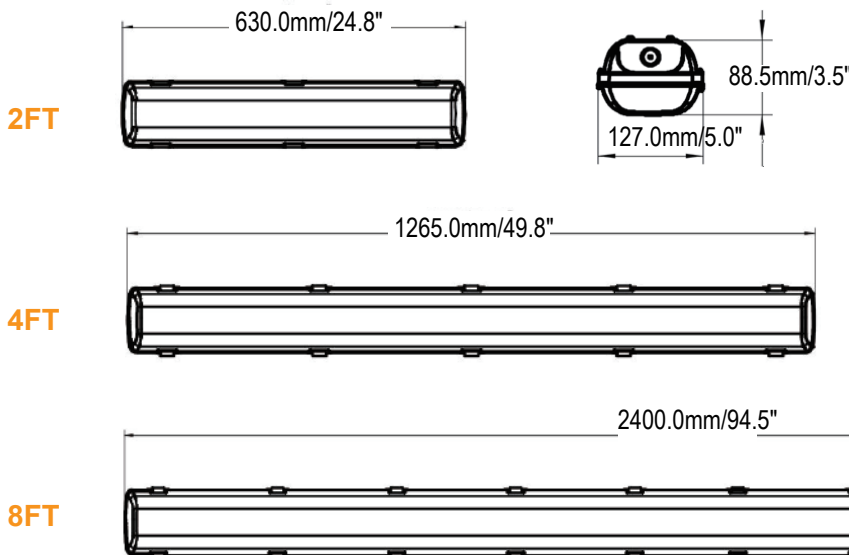
L70 - 100,000 Hours

Working Temperature

-40-104°F (-40-40°C)

Certifications

- cULus listed
- DLC Standard Listed
- Wet location
- RoHS compliant



Ordering Information

Example: SVP12D-SP-SW1

Name	Dimension	Dimmable	Watts	CCT	Voltage	Control
SVP	06 - 2FT	D - 0-10V Dimmable	SP - Selectable Power 20W/25W/30W ¹	SW - Selectable White 3500K/4000K/5000K ²	1 - 120-277V	Blank - None
	12 - 4FT		SP - Selectable Power 34W/38W/45W ¹			EBU - Emergency Battery Back-up
	24 - 8FT		SP - Selectable Power 65W/75W/90W ¹			MSW - Microwave Motion Sensor ³

Notes:

- 30W/45W/90W are default setting, If need other wattage, please contact Customer Service in advance to change the setting in factory or change the setting in the field.
 - 4000K is default setting. If need other CCT please contact Customer Service in advance to change the setting in factory or change the setting in the field.
 - Standard microwave dimming sensor for mounting height 12ft max. Dimming default setting is Bi-Level dim, 30% on vacancy and 100% on Occupancy. Daylight sensor default set to disabled . Other dimming levels, ON/OFF function and daylight sensor can be set by the remote controller AAL-RC-100.
- * Sensor for mounting height higher than 12ft is optional.
- * Grey finish is standard. Additional charge will apply for optional finish.

Accessories (Standard)



V-HOOK / BRACKET / SCREW /
PLASTIC TUBE / WATERPROOF PLUG

Accessories (Ordered separately)



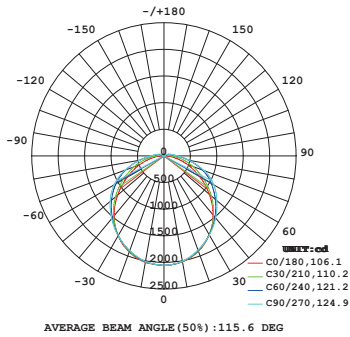
Mounting Chain
Length:(1.05m)



AAL-RC-100
Remote controller for
Microwave Motion Sensor

PHOTOMETRY

All published luminaire photometric testing performed to IESNA LM-79-08 standards by a NVLAP certified laboratory.



PERFORMANCE DATA

LUMEN OUTPUT

Lumen values are measured by third party certified laboratories performed in accordance with IESNA LM-79-08 as well as Lighting Facts listed.

Watts	Size	Nominal Lumen	CCT	CRI	LPW
20W	2FT	2800lm	4000K	>80	140
25W	2FT	3400lm	4000K	>80	136
30W	2FT	4000lm	4000K	>80	133
34W	4FT	4900lm	4000K	>80	144
38W	4FT	5400lm	4000K	>80	142
45W	4FT	6500lm	4000K	>80	144
65W	8FT	9300lm	4000K	>80	143
75W	8FT	10500lm	4000K	>80	140
90W	8FT	12300lm	4000K	>80	137

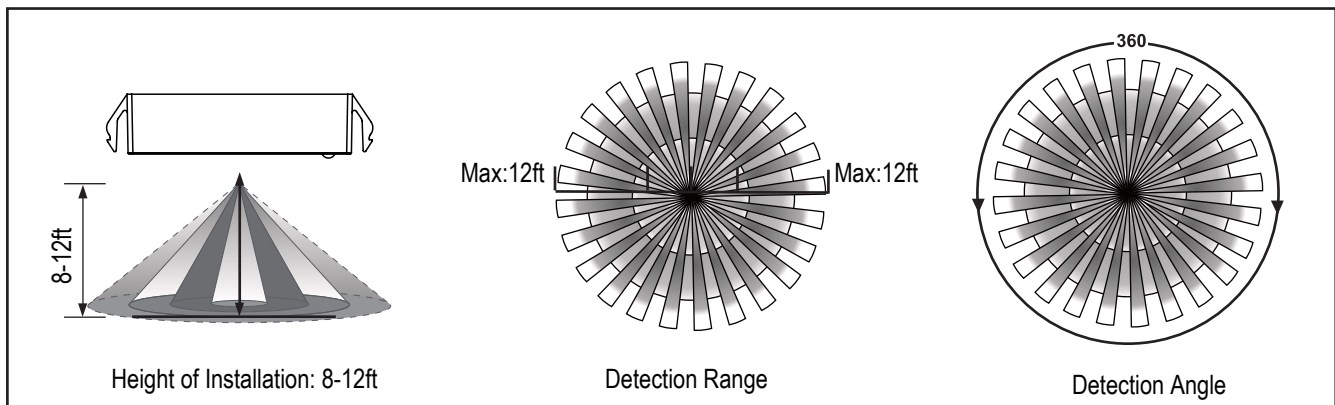
SENSOR SPECIFICATIONS

Motion Sensor	Passive Infrared (PIR)
Input Power	10-14VDC, >50mA
Control Output	0-10V, max 25mA sinking current
Mounting Height	12ft Max.
Detection angle	360°
Operating temperature	-40°F ~ +158°F (-40°C ~ +70°C)
Remote Range	50ft. (15m) indoor, no backlight
Humidity	Max.95% RH



* Sensor for mounting height higher than 12ft is optional.

SENSOR COVERAGE



MICROWAVE DIMMING SENSOR SETTING (ANT-3C)

Sensor data can be precisely set for each specific application by a remote controller which need to be bought separately.

SENSITIVITY

Detection area can be reduced by selecting the combination on the remote controller to fit precisely each application.

Optional Setting: 100%/75%/50%/25%

Default Setting: 100%

Hold time

Refers to the time period the lamp remains at 100% illumination after no motion detected.

Optional Setting: 10S/1min/5min/10min/15min/20min/30min/60min

Default Setting: 20min

Stand-by time

Refers to the time period the lamp remains at a low light level before it completely switches off in the long absence of people. When set to “+∞” mode, the low light is maintained until motion is detected.

Optional Setting: 1min/30min/60min/+∞

Default Setting: +∞

Daylight sensor

The sensor can be set to only allow the lamp to illuminate below a defined ambient brightness threshold. When set to Disable mode, the daylight sensor will switch on the lamp when motion is detected regardless of ambient light level.

Optional Setting: 10lux/30lux/50lux/100lux/300lux/500lux/Disable

Default Setting: Disable

Stand-by dimming level

The low light level you would like to have after the hold time in the long absence of people.

Optional Setting: 0%/10%/30%/50%

Default Setting: 30%

Notes: If need ON/OFF function, please set the stand-by period in “0%” mode and please set the stand-by time into “1min” by the remote controller. Then the light will turn off after 1 minute in absence of people.

Warranty

Five year limited warranty.

Note:

Specifications subject to change without notice.