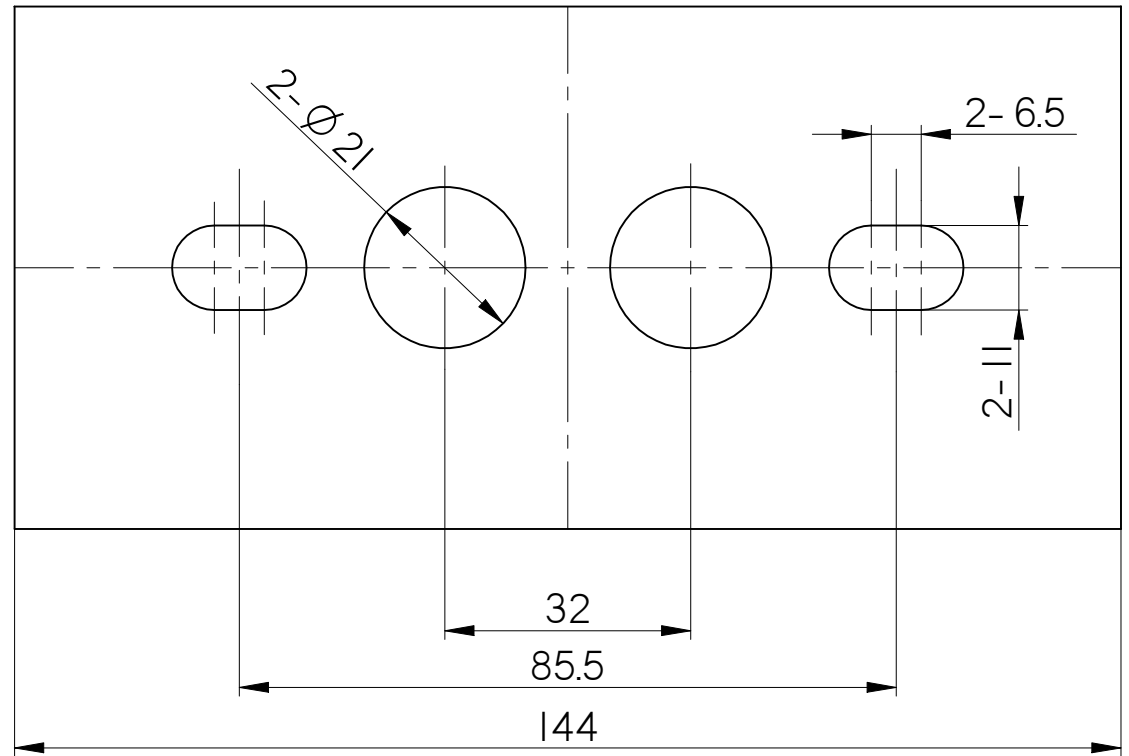


**Pole mount  
Drill Pattern for MT**



**Trunion mount  
Drill Pattern for MT**