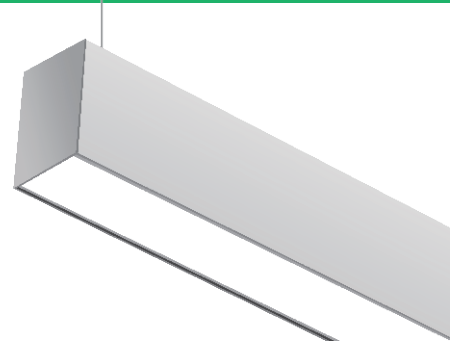


2.3" MAGIC SUSPENDED LED LINEAR LIGHT

Direct and Indirect Light



PRODUCT DESCRIPTION

This MAGIC led linear fixture is a 2.3" wide linear architectural luminaire with a slim and discreet profile. The MAGIC is available in standard lengths of 2', 3', 4', and 8', and can be joined together in seamless runs of desired length. The MAGIC is an affordable indirect/direct linear LED luminaire. Various optical design delivers uniform, continuous lines of light. Different pattern joiners available for unlimited lighting pattern design.

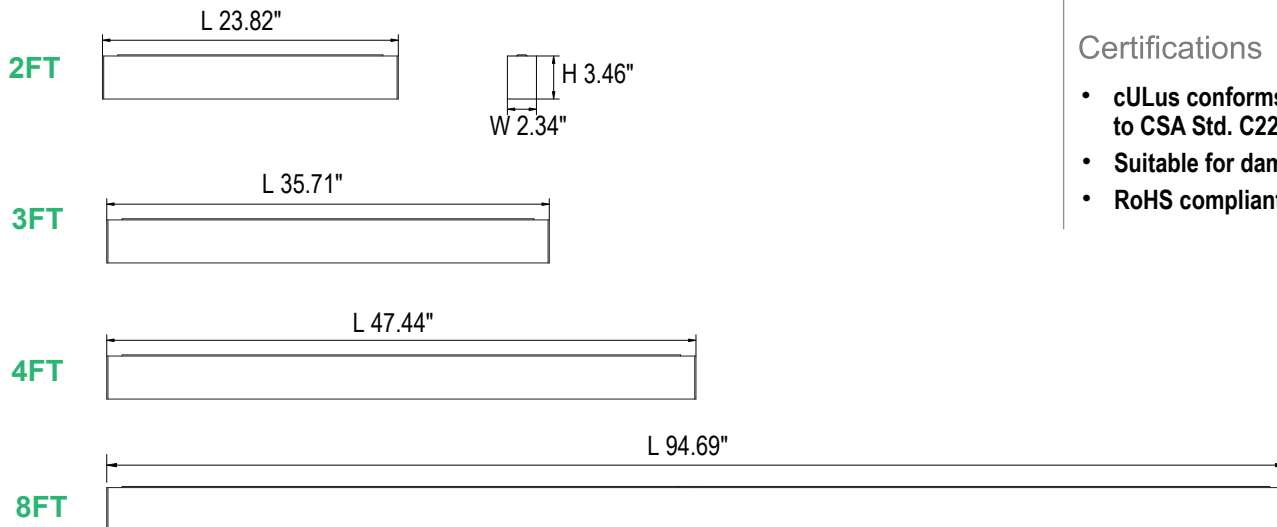
FEATURES

- Comes in lengths of 2', 3', 4', and 8'
- Direct and indirect
- Available with several lit joiner accessories for unlimited lighting pattern design
- Professional lenses available in flush diffused, louver, micro reflector and regress lens
- Microwave sensor and EBU are available

ELECTRICAL SYSTEM

- Input Voltage: 120-277V, 50/60Hz
- Operating temperature range: -4-104°F (-20-40°C)
- Power Factor: > 0.9 at full load
- Total Harmonic Distortion: < 20% at full load

SPECIFICATION



PERFORMANCE

CRI

80

CCT

3000K, 3500K, 4000K

Dimming

1-10V Dimming

Compatible Dimmer

LUTRON: DVSTV

LEVITON: IP710

Projected Lifetime

L70 - 100,000 Hours

Working Temperature

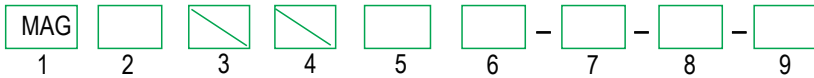
-4-104°F (-20-40°C)

Certifications

- cULus conforms to UL Std. 1598Cert. to CSA Std. C22.2 No.250.0
- Suitable for damp locations
- RoHS compliant

Ordering Information

Example: MAG1223-SW1-PSM-SD-FDL



1. Series

MAG

2. Length

06 - 2FT 09 - 3FT 12 - 4FT 24 - 8FT

Option - Desired System Length*

* Individual fixtures, Runs and Configurations are supplied in nominal lengths to ensure full, even, illumination. If desired runs and configurations are needed, please tell us the details in advance. Then we can prepare the middle run and end run in factory for easy installation, or end user need to modify the standard individual fixtures into middle run and end run.

3. Width

23- 2.3 Inch

4. Driver

Blank - Integral

5. CCT

Selectable CCT

SW - 3000K/3500K/4000K selectable

* 4000K is default setting.

Single CCT

30 - 3000K 35 - 3500K 40 - 4000K

* Single CCT is only for Micro Reflector.

6. Voltage

1 - 120-277V

7. Mounting Options

PSM - Suspended¹

1. Please refer to the following accessory table to choose the right mounting kits.

8. Light Distribution

SD -Following options available by dip switch

100% Uplight
 10% down, 90% up
 30% down, 70% up
 50% down, 50% up
 70% down, 30% up
 90% down, 10% up
 100% Downlight

1. Default setting is 100% downlight.

9. Lens Options

FDL - Flush Diffused Lens RGL - Regressed
 LVL - Louver Lens MRF - Micro Reflector

* If the joined length exceeds 8ft, only continuous Roll-Out Lens can be used.

* MRF is only available in 4ft and single CCT.

* RGL, LVL and MRF lens will ask long lead time for 2ft, 3ft and 8ft. Please check with Customer Service in advance.

10. Finish

Blank - White BK - Black

Accessories (ordered separately and field installed)



MAG23-LINE

Line Shape Joiner



MAG23-CROSS

Cross Shape Joiner



MAG23-T

T Shape Joiner



MAG23-L

90° L Shape Joiner


MAG23-Y

Y Shape Joiner


MAG23-Z

Z Shape Joiner


MAG23-Hex Hub

120° Hex-hub Joiner


MAG23-ROL¹

 Continuous Roll-Out
 Lens (42')

Drop Ceiling Suspension Mount List


MAG-PMK3-5FT

 Aircraft Cable Pendant
 Mount Kits for Drop Ceiling,
 with 5ft aircraft cable
 and 5ft power cord
 (One set per fixture)

MAG-PMK3-12FT

 Aircraft Cable Pendant
 Mount Kits for Drop Ceiling,
 with 12ft aircraft cable
 and 12ft power cord
 (One set per fixture)

* Suitable for 9/16" and 15/16" Flat Ceiling.
 If for 9/16" slot ceiling please contact Customer Service.

Dry Ceiling Suspension Mount List


MAG-PMK1-5FT

 Aircraft Cable Pendant
 Mount Kits for Dry Ceiling,
 with 5ft aircraft cable
 and 5ft power cord
 (One set per fixture)

MAG-PMK1-12FT

 Aircraft Cable Pendant
 Mount Kits for Dry Ceiling,
 with 12ft aircraft cable
 and 12ft power cord
 (One set per fixture)

MAG-MSW-PM/SM²

 Microwave Motion Sensor Kits
 for pendant mount

EBU-H08170³

 8W Emergency Battery
 Back-up for MAX.
 60W fixture

RC-100

 Remote Control for
 Microwave Motion Sensor

EBU-H25170³

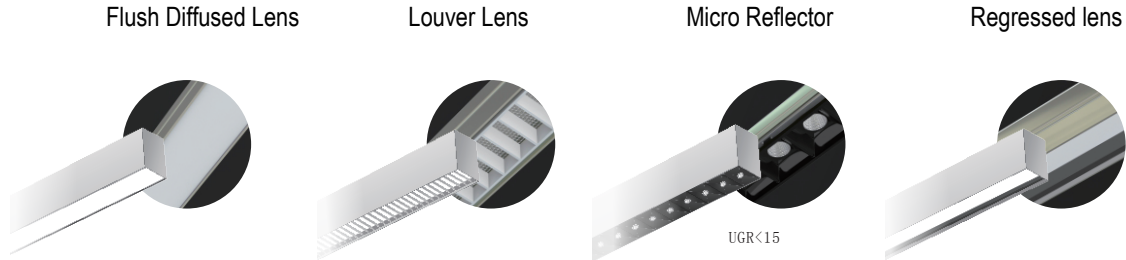
 25W Emergency Battery
 Back-up for MAX.
 200W fixture

Notes:

1. If the joined length exceeds 8ft, only continuous Roll-Out Lens can be used.
2. Microwave dimming sensor, for mounting height 20ft (6m) max. Dimming default setting is Bi-Level dim and dimming to 50%. Besides, daylight sensor default setting is disable. If need other dimming levels such as 10% or 30%, ON/OFF function and daylight sensor function, please consult with customer service in advance.
3. Emergency battery back-up is for ambient temperatures of 32°F -95°F (0 °C -35°C).

PERFORMANCE DATA

Lumen values are measured by third party certified laboratories performed in accordance with IESNA LM-79-08 as well as Lighting Facts listed.



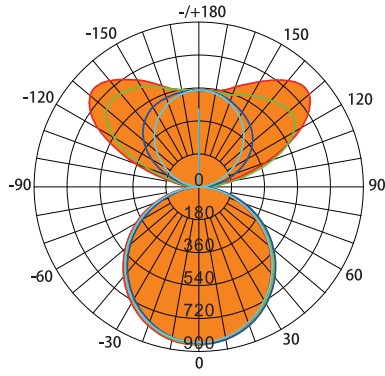
	Flush Diffused Lens	Louver Lens	Micro Reflector	Regressed lens
Lengths	2FT/3FT/4FT/8FT	2FT/3FT/4FT/8FT	4FT	2FT/3FT/4FT/8FT
Width	2.3"	2.3"	2.3"	2.3"
Wattage	10W/15W/20W selectable 15W/20W/30W selectable 20W/30W/40W selectable 40W/60W/80W selectable	10W/15W/20W selectable 15W/20W/30W selectable 20W/30W/40W selectable 40W/60W/80W selectable	10W/15W/20W selectable 15W/20W/30W selectable 20W/30W/40W selectable 40W/60W/80W selectable	10W/15W/20W selectable 15W/20W/30W selectable 20W/30W/40W selectable 40W/60W/80W selectable
Voltage	120-277V (Int.Driver)	120-277V (Int.Driver)	120-277V (Int.Driver)	120-277V (Int.Driver)
Lumen Output Low level	575lm/ft, 5w/ft	450lm/ft, 5w/ft	575lm/ft, 5w/ft	450lm/ft, 5w/ft
Lumen Output Medium level	860lm/ft, 7.5w/ft	675lm/ft, 7.5w/ft	860lm/ft, 7.5w/ft	710lm/ft, 7.5w/ft
Lumen Output High level	1150lm/ft, 10w/ft	900lm/ft, 10w/ft	1150lm/ft, 10w/ft	950lm/ft, 10w/ft
Installation	Suspended			
Controls (optional)	Emergency Battery Back-up / Motion Sensor			

Notes: Above are subject to 3500K with 50% up and 50% down lighting distribution. All efficacy is $\pm 5\%$ base on different CCT and lighting distributions. Check the IES file to gain the accurate data .For 3000K fixtures, use 0.96 multiplier; For 4000K fixtures, use 1.04 multiplier.

PHOTOMETRY

All published luminaire photo metric testing performed to IESNA LM-79-08 standards by a NVLAP certified laboratory. IESNA LM-79-08 specifies the entire luminaire as the source resulting in a fixture efficiency of 100%. Result may vary per actual order.

4' / Diffuser/50% Up,50% Down/ 4000K

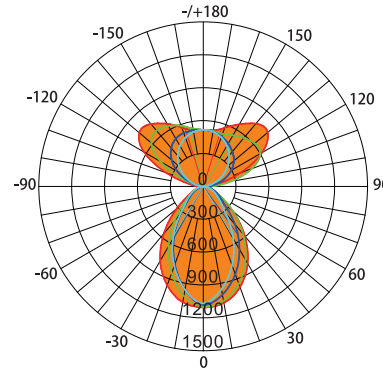


Lumens: 4739.1 Lm
 Watts: 40 W
 LPW: 118.48 Lm/W
 CCT: 4000K

UNIT: cd
 — C0/180, 360°
 — C30/270, 360°
 — C60/240, 360°
 — C90/270, 360°

AVERAGE BEAM ANGLE[50%]: 360.0°

4' / Louver/50% Up,50% Down/ 4000K

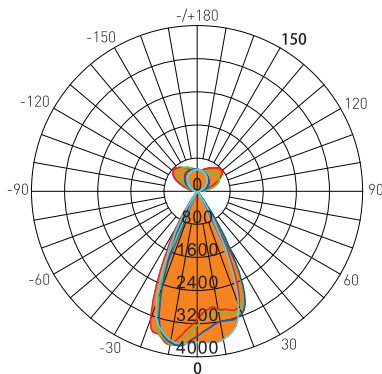


Lumens: 3865.5 Lm
 Watts: 40 W
 LPW: 96.64 Lm/W
 CCT: 4000K

UNIT: cd
 — C0/180, 324.8°
 — C30/270, 314.8°
 — C60/240, 65.6°
 — C90/270, 61.7°

AVERAGE BEAM ANGLE[50%]: 191.7°

4' / Micro Reflector/50% Up,50% Down/ 4000K

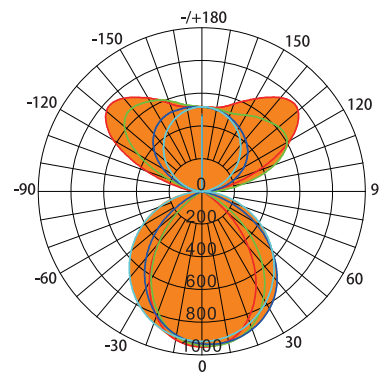


Lumens: 4530.0 Lm
 Watts: 40 W
 LPW: 113.25 Lm/W
 CCT: 4000K

UNIT: cd
 — C0/180, 51.8°
 — C30/270, 51.9°
 — C60/240, 51.1°
 — C90/270, 49.5°

AVERAGE BEAM ANGLE[50%]: 51.1°

4' / Deep Regressed/50% Up,50% Down/ 4000K



Lumens: 4070.6 Lm
 Watts: 40 W
 LPW: 101.77 Lm/W
 CCT: 4000K

UNIT: cd
 — C0/180, 360°
 — C30/270, 360°
 — C60/240, 360°
 — C90/270, 360°

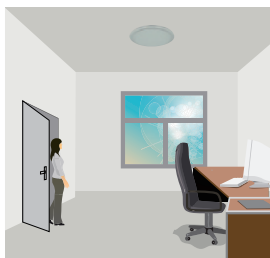
AVERAGE BEAM ANGLE[50%]: 360.0°

* These distribution diagram is tested based on suspended mount.

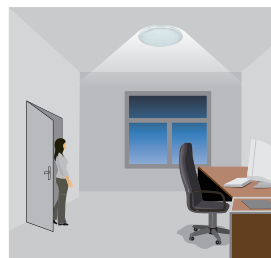
MICROWAVE DIMMING SENSOR

3-step dimming function

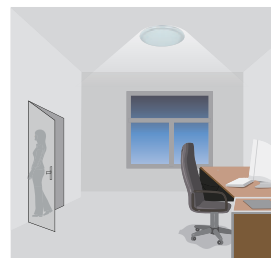
The sensor is an innovative motion sensor, switch on the light on detection of movement, and switch off after a hold time when there is no motion detected.



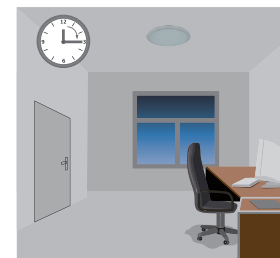
1. No motion detected, all lamps switch off.



2. Any movement is detected from any direction, all lamps synchronously switch on.



3. No motion is detected in detection area, all lamps synchronously dim to a low light level after hold time.



4. After stand-by period, the lamps switch off if no movement is detected in the detection zone.

MICROWAVE DIMMING SENSOR SETTING (120-277V)

By selecting the combination on the DIP switch, sensor data can be precisely set for each specific application. The sensor setting also can be done by a remote control (RC-100) which need to be bought separately.

	1	2	
I	↓	↓	20%
II	↓	↑	50%
III	↑	↓	75%
IV	↑	↑	100%

Sensitivity

Sensitivity can be reduced by selecting the combination on the DIP switches to fit precisely each application .


Default Setting: 100%

	3	4	
I	↓	↓	10 S
II	↓	↑	1 Min
III	↑	↓	5 Min
IV	↑	↑	15 Min

Hold time

Refers to the time period the lamp remains at 100% illumination after no motion detected.

Default Setting: 15min

	5	6	
I	↓	↓	
II	↓	↑	10 Lux
III	↑	↓	30 Lux
IV	↑	↑	50 Lux

Daylight sensor

The sensor can be set to only allow the lamp to illuminate below a defined ambient brightness threshold.

Default Setting:  (Disable)

	7	8	
I	↓	↓	0%
II	↓	↑	10%
III	↑	↓	30%
IV	↑	↑	50%

Stand-by dimming level

The low light level you would like to have after the hold time in the long absence of people.

Default Setting: 50%

	9	10	
I	↓	↓	+ ∞
II	↓	↑	1 Min
III	↑	↓	30 Min
IV	↑	↑	60 Min

Stand-by time

Refers to the time period the lamp remains at a low light level before it completely switches off in the long absence of people. When set to " +∞ " mode, the low light is maintained until motion is detected

Default Setting: 30 Min

Warranty

Five year limited warranty.

Note:

Specifications subject to change without notice.