



## 2" PORLA LED DOWNLIGHT

### PRODUCT DESCRIPTION

The 2" Porla recessed led downlight comes in round and square shapes with integral driver in a remote driver box. Five CCT selectable. Flexibility to switch color temperature during installation with the slide switch. Reflector optic design. Ideal for a variety of applications for both residential and commercial settings.

### FEATURE

- 2" comes in round and square shapes
- Five CCT selectable
- Type IC rated-no housing needed
- Aluminum construction
- FT6 cable is standard

### ELECTRICAL SYSTEM

- Input Voltage: 120V or 120-277V, 50/60Hz
- Triac dimming is standard; 0-10V is optional
- Minimum Ambient -20°C, Maximum Ambient is 40°C
- Power Factor: > 0.9 at full load
- Total Harmonic Distortion: < 20% at full load

### PERFORMANCE

CRI

90

CCT SELECTABLE

2700K, 3000K, 3500K, 4000K, 5000K

Dimming

Triac dimming is standard;  
0-10V is optional

Projected Lifetime

L70 - 50,000 Hours

Working Temperature

-4-104°F (-20-40°C)

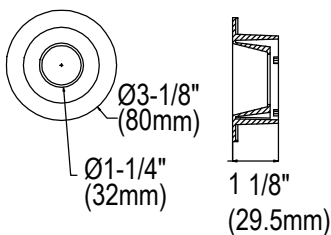
Certifications

- cETLus conforms to UL Std. 1598 Cert. to CSA Std. C22.2 No.250.0
- Suitable for wet locations
- IP54 rated
- IC rated
- RoHS compliant
- Warranty 5 years

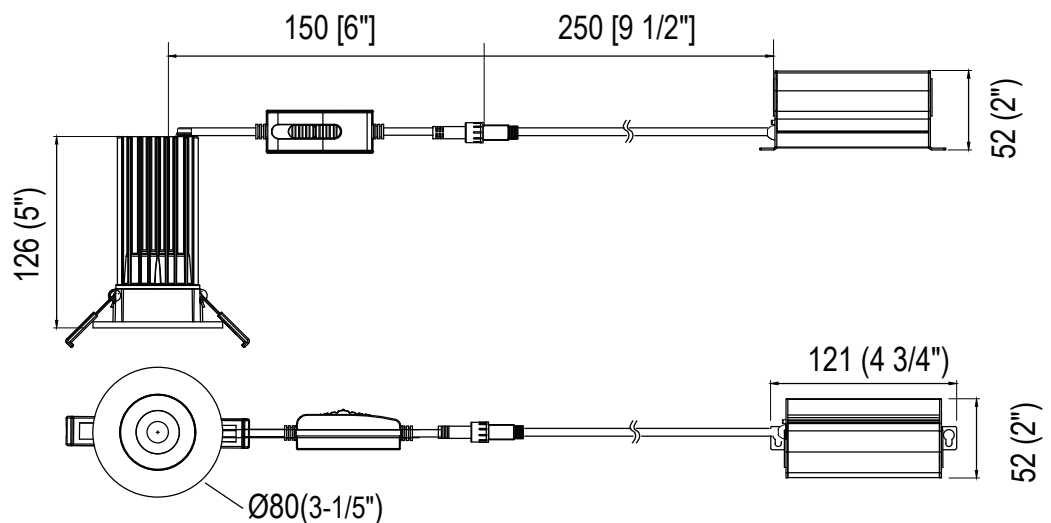
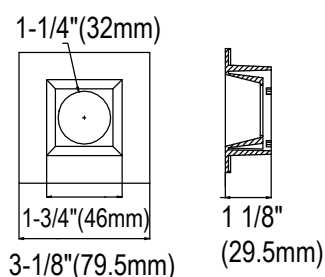
### SPECIFICATION

#### 2" FIX Triac Dimming

#### 2" Round Trim

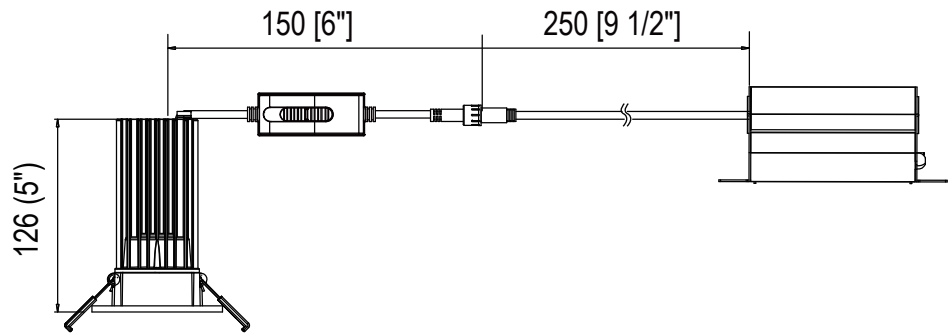
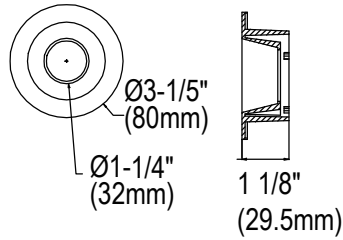


#### 2" Square Trim

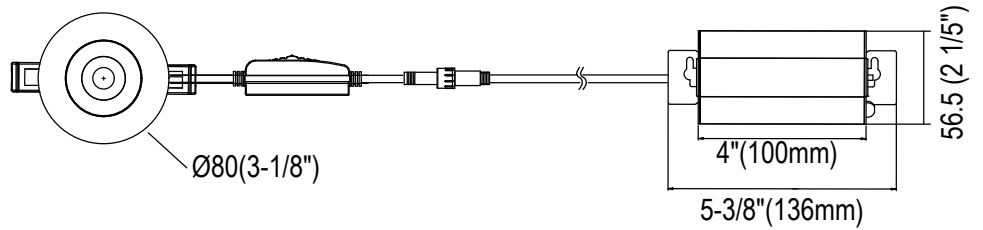
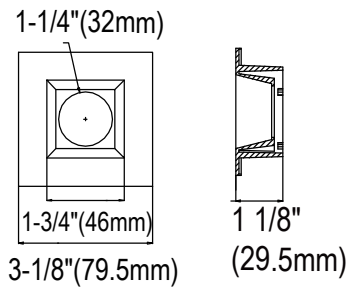


**2" FIX 0-10V Dimming**

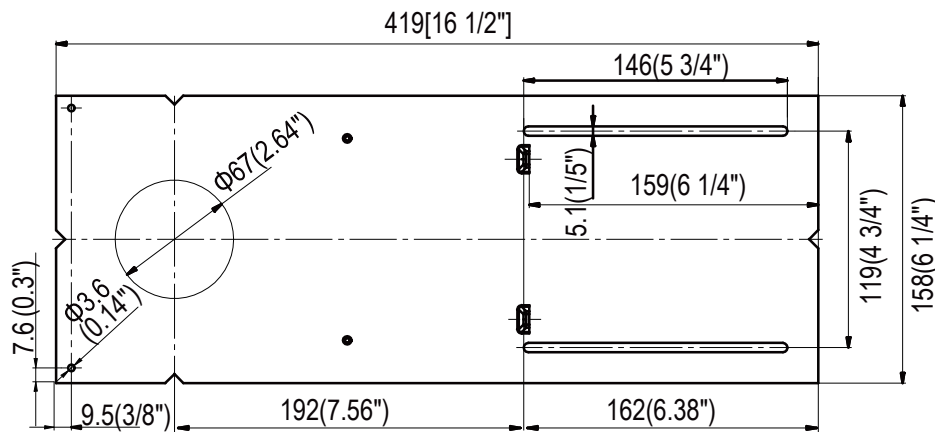
**2" Round Trim**



**2" Square Trim**



**Rough In Plate (unit:mm)**



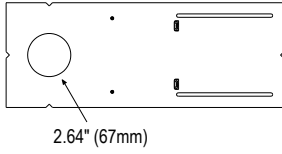
**ORDERING INFORMATION**

**PORLA DOWNLIGHT MODULE**

Example for downlight module: **POR02-DLR-10LM-90-MBK**

SERIES	SIZE	DOWNLIGHT	SHAPE	LUMENS/CRI	TRIM FINISH	DRIVER
POR	02 - 2"	DL - Downlight	R - Round S - Square	06LM-90 - 600lm/90CRI 10LM-90 - 1000lm/90CRI	MWH - Matte White MBK - Matte Black	POR02-08W-4 - 600lm Triac Dimmable Driver POR02-DL/ADJ-08W-1 - 600lm 0-10V Dimmable Driver POR02-12W-4 - 1000lm Triac Dimmable Driver POR02-12W-1 - 1000lm 0-10V Dimmable Driver

**ROUGH-IN PLATE**



**POR02-RIP-N**  
Rough-in plate

**FT6 EXTENSION CABLE**



FT6 Extension Cable (2pin)

**POR-EXC6-FT6**  
6 feet 2pin cable

**POR-EXC10-FT6**  
10 feet 2pin cable

**POR-EXC20-FT6**  
20 feet 2pin cable

Notice:

- \* 2700K, 3000K, 3500K, 4000K, 5000K selectable. 3000K is default setting.
- \* Custom finish color is available for trim and additional charge will apply for custom finish.

**PERFORMANCE DATA**  
**LUMEN OUTPUT**

Lumen values are measured by third party certified laboratories performed in accordance with IESNA LM-79-08 as well as Lighting Facts listed.

Size	2 Inch FIX	
Wattage	8W	12W
Lumen	600lm@3000K	1000lm@3000K
CCT	2700K/3000K/3500K/4000K/5000K Selectable	
Beam Angle	38 degree	
CRI	90	
Dimming	Triac or 0-10V dimming	
Cut Out	Φ2.64" (67mm)	

**Lumen Multiplier**

2700K	0.95
3000K	1
3500K	1.05
4000K	1.10
5000K	1.05

**Warranty**

Five year limited warranty.

**Note:**

Specifications subject to change without notice.