



ARBOR LED BOLLARD



PRODUCT DESCRIPTION

The Arbor led bollard has attractively shielded light distribution. It's fully shielded light source effectively contains upward light spill for safety and comfort of passers by. Superior UV powder coating, quality die cast aluminum body, tempered safety glass lens, molded silicone gasket and stainless steel screws. Distinctive wood texture finish color available This bollard is an excellent choice for walkways, entrances, promenades, plazas, courtyards, driveways, bridges, and landscaped areas.

FEATURE

- Die cast aluminum body
- Shielded light distribution
- Wood texture finish color available
- IP65 rated for wet location

ELECTRICAL SYSTEM

- Input Voltage: 120-277V
- 50/60Hz
- Minimum Ambient -22°F, maximum ambient 104°F
- Power Factor: > 0.9 @120Vac
- Total Harmonic Distortion: < 20%

PERFORMANCE

CRI

80

CCT

3000K, 4000K

Dimming

Not dimming

Projected Lifetime

L70 - 100,000 Hours

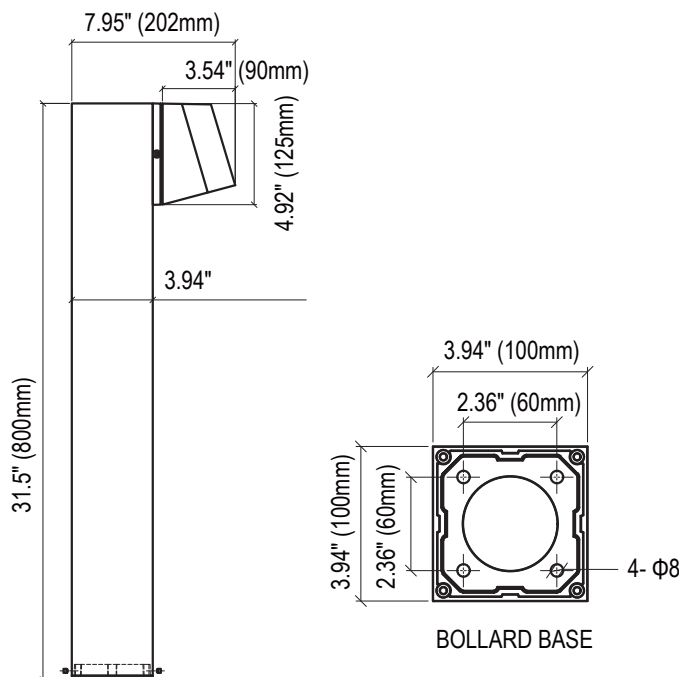
Working Temperature

-30°C to + 40°C (-22°F to 104°F)

Certifications

- cETL listed
- Suitable for wet location
- IP65 rated
- RoHS compliant

DIMENSION



Ordering Information

Example: ARBD32H-10401-BK

Name	Height	. Watts	CCT	Voltage	. Controls	. Finish
ARBD	32H - 31.5" High	10 - 10W	30 - 3000K 40 - 4000K	1 - 120-277V	Blank - None	BK - Black Wood Texture Optional * (Need Additional Charge)

Note:

* Black finish is standard. Wood texture finish and other optional finish colors are available at an additional charge. Please contact Customer Service for details.

WOOD TEXTURE OPTIONS

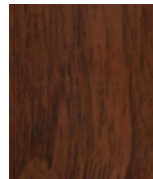


LWTC-1/2-TP

Half light wood texture color from the top of pole, and half black color from the bottom of pole

LWTC-2/3-TP

2/3 light wood texture color from the top of pole, and 1/3 black color from the bottom of pole



DWTC-1/2-TP

Half deep wood texture color from the top of pole, and half black color from the bottom of pole

DWTC-2/3-TP

2/3 deep wood texture color from the top of pole, and 1/3 black color from the bottom of pole

Notes: If need other finish painting ratio, please contact Customer Service.

ACCESSORIES (ORDER SEPARATELY)



ABMK-ARBD
Anchor bolts mounting kits

PERFORMANCE DATA

LUMEN OUTPUT

Watts	Lumen Output	AC Input 120V	CRI	CCT
10W	490lm	0.08A	80	3000K

Warranty

Five year limited warranty.