



CARLO CYLINDER LIGHT

Pendant / Surface



PRODUCT DESCRIPTION

This architectural Carlo Cylinder light is designed for accent lighting and features a state-of-the-art design. IP65 rated for wet locations. Field selectable 25°/40°/60° beam angle. It can be pendant or surface mounted. Anti-glare design for ideal visual comfort. Ideal for both indoor and outdoor commercial applications.

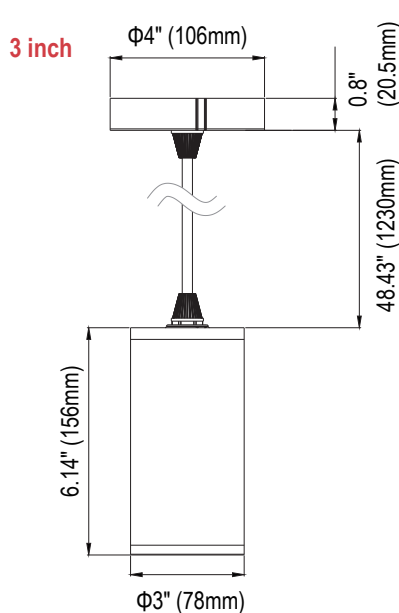
FEATURE

- IP 65 rated
- Pendant and surface mount
- Field selectable beam angle: 25°/40°/ 60°
- Anti-glare design to reduce glare light
- Wattage and CCT selectable
- Integral driver, isolated circuit

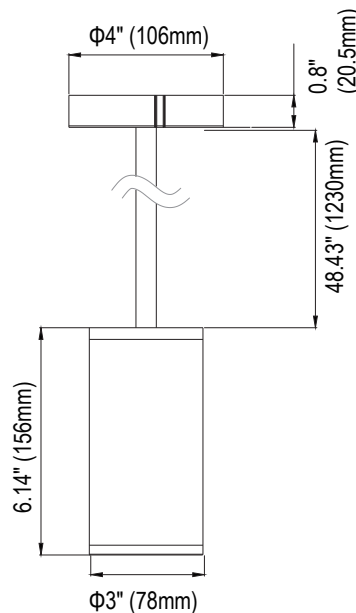
ELECTRICAL SYSTEM

- Input Voltage: 120-277V, 120-347V, 50/60Hz
- Minimum Ambient -40°C, Maximum Ambient is 40°C
- Power Factor: > 0.9 at full load
- Total Harmonic Distortion: < 20% at full load

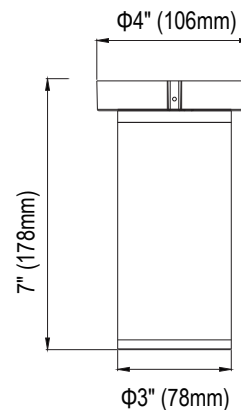
SPECIFICATION



Cable Pendant Mount



Rod Pendant Mount



Ceiling Mount

PERFORMANCE

CRI

90Ra

CCT

2700K, 3000K, 3500K, 4000K, 5000K

Dimming

0-10V Dimming

Projected Lifetime

L70 - 100,000 Hours

Working Temperature

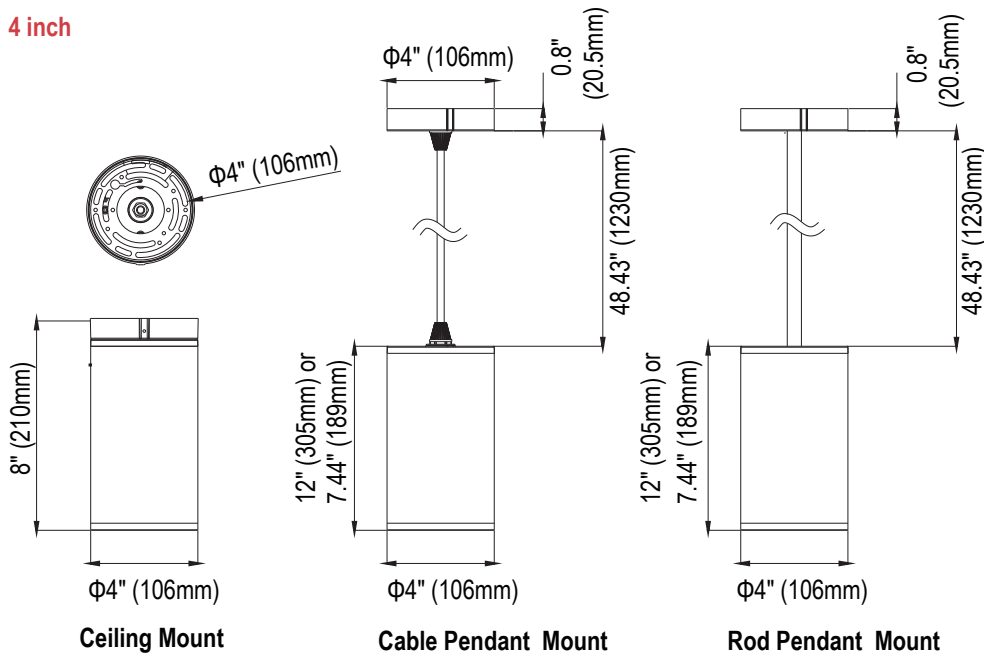
For 4": -40-104°F (-40-40°C)

For 6": -40-95°F (-40-35°C)

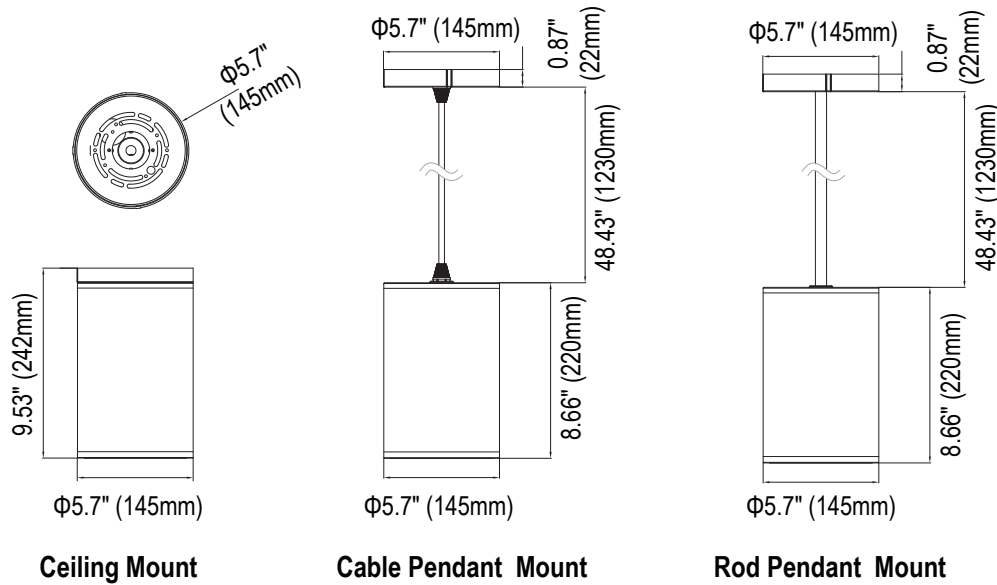
Certifications

- cULus conforms to UL Std. 1598 Cert. to CSA Std. C22.2 No.250.0
- IP65 suitable for wet locations
- RoHs compliant

4 inch



6 inch



Ordering Information

Example: CCL4-07-20SPSW8-40-PSM-BK

Diameter	-Length	-Watts	CCT	Voltage	- Beaming Angle	- Installation	- Finish
CCL 3 - 3"	06 - 6.14"	10SP -6W/8W/10W Selectable ²	SW - 3000K/4000K 5000K Selectable ³	1 -120-277V	25-25° 40-40° 60-60°	PSM - Pendant and surface Mount ⁴	BK - Black ⁵ Optional Finish Colors (Need Additional Charge)*
CCL 4 - 4"	07 - 7.44" 12' - 12"	20SP -12W/16W/20W Selectable ²	SW -2700K/3000K 3500K/4000K5000K Selectable ³	8 -120-347V			
CCL 6 - 6"	08 - 8.66"	30SP -18W/24W/30W Selectable ²	SW -2700K/3000K 3500K/4000K5000K Selectable ³	8 -120-347V			

Notes:

1. 12" length has MOQ requirement. Please contact Customer Service for more details.
2. The highest wattage is default setting.
3. 3000K is default setting.
4. Cable pendant mount and surface mount are standard. The pendant rod need to be ordered separately.
5. Black is standard. Optional finish color is available at an additional cost.

Accessories (Ordered and shipped separately)

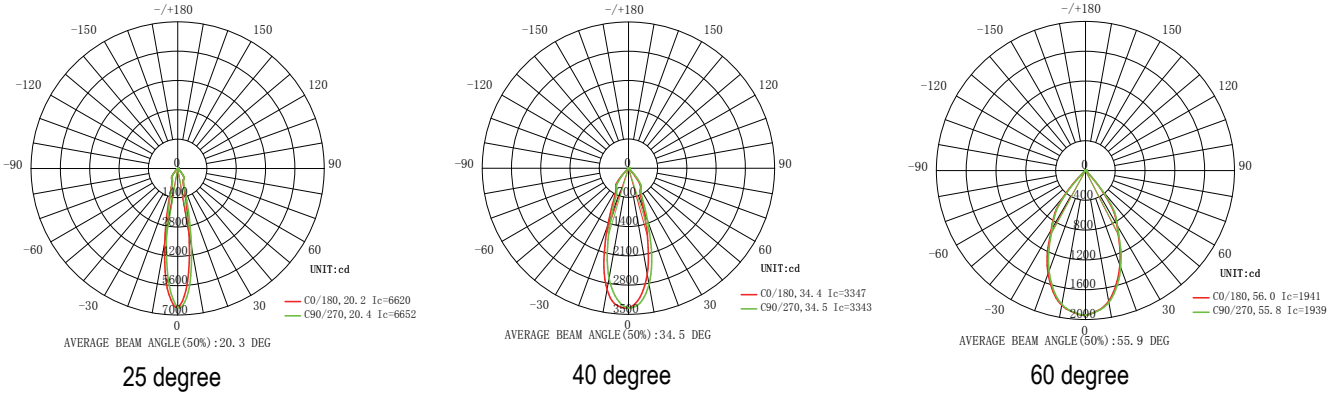


CCL-RPMK-48-BK

Pendant Rod 48" long, black

PHOTOMETRY

All published luminaire photometric testing performed to IESNA LM-79-08 standards by a NVLAP certified laboratory.



PERFORMANCE DATA

LUMEN OUTPUT

Lumen values are estimated with LED data sheet.

3 inch

Watt	LPW	Lumen	CCT
10W	90	900	3000K
	100	1000	4000K
	100	1000	5000K
	100	1000	5000K
8W	90	720	3000K
	100	800	4000K
	100	800	5000K
	100	800	5000K
6W	90	540	3000K
	100	600	4000K
	100	600	5000K
	100	600	5000K

4 inch

Watt	LPW	Lumen	CCT
20W	85	1700	2700K
	90	1800	3000K
	100	2000	3500K
	100	2000	4000K
	95	1900	5000K
16W	85	1360	2700K
	90	1440	3000K
	100	1600	3500K
	100	1600	4000K
	95	1520	5000K
12W	85	1020	2700K
	90	1080	3000K
	100	1200	3500K
	100	1200	4000K
	95	1140	5000K

6 inch

Watt	LPW	Lumen	CCT
30W	75	2250	2700K
	80	2400	3000K
	90	2700	3500K
	90	2700	4000K
	90	2700	5000K
24W	75	1800	2700K
	80	1920	3000K
	90	2160	3500K
	90	2160	4000K
	90	2160	5000K
18W	75	1350	2700K
	80	1440	3000K
	90	1620	3500K
	90	1620	4000K
	90	1620	5000K

Warranty

Five year limited warranty.